
Mirto Outdoor

CHAIRS

Antonio Citterio



Description

A classic is born. It expresses Antonio Citterio's stable elegance. Different types of seat: chairs, armchairs and a chaise longue are included in the collection. The folding armchair revisits the classic shape of the director's chair, with exclusive details. All sizes of tables, small tables and consoles have the same frame and top in painted aluminium, in brushed natural Iroko slats or in Calacatta white porcelain stoneware.

Technical information

Frame

die-cast aluminium and extrusions with polyurethane painting

Seat and back

Stige mesh in Batyline® Canatex

Edges

Batyline® Keeps

Ferrules

thermoplastic elastomer

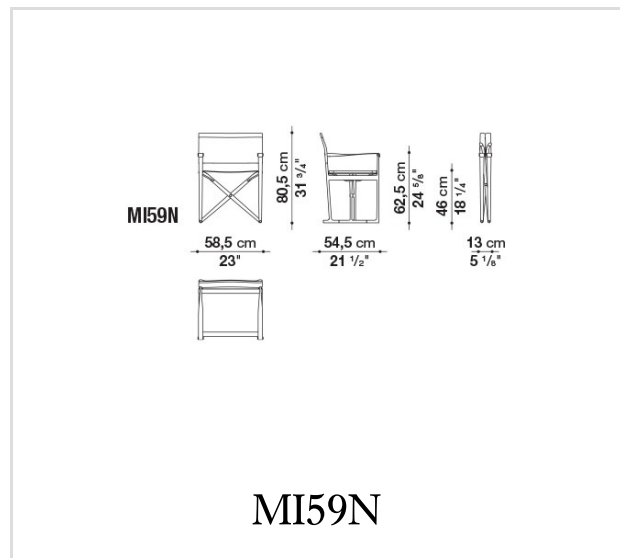
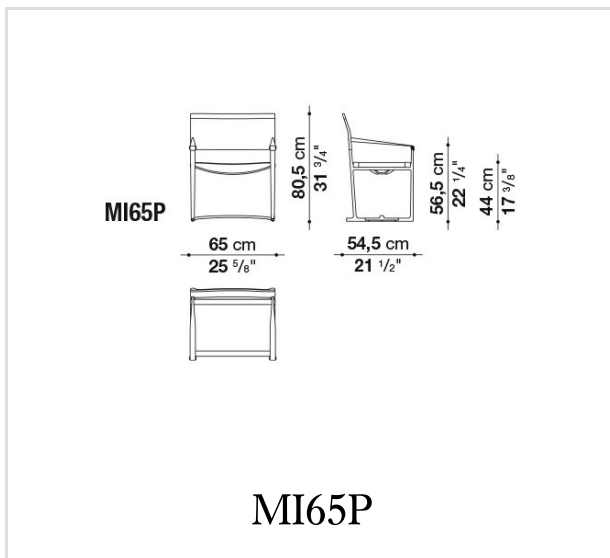
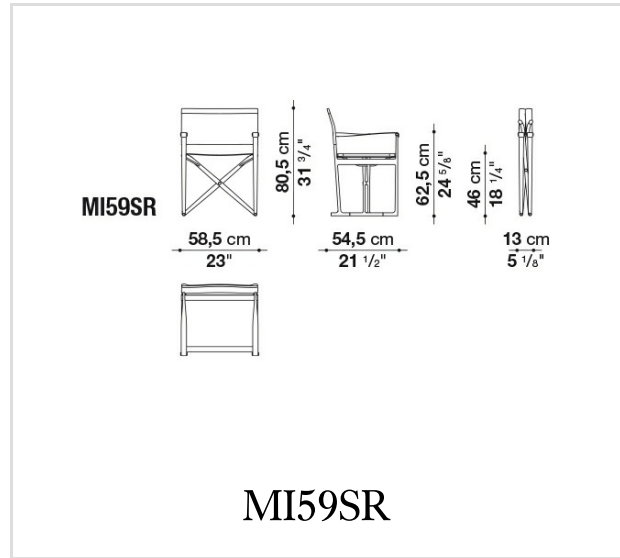
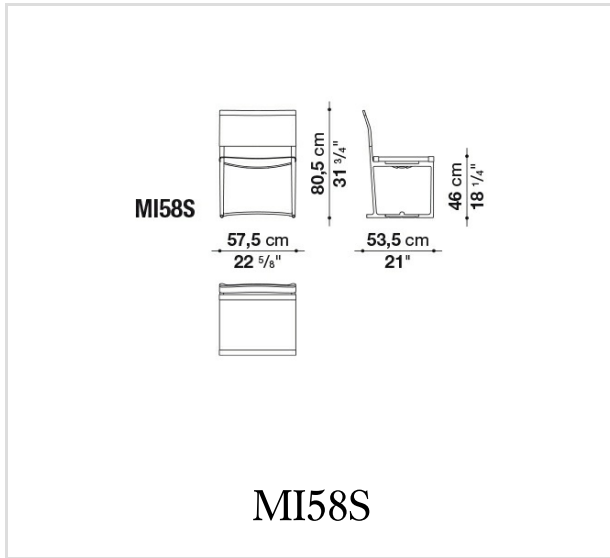
Assembly parts

stainless steel and Ergal

Waterproof cover cloth

PES fabric coated on one side in PU

Technical drawings



B&B Italia reserves the right to make technological and aesthetic improvements to its models, including changes to the sizes and materials, without notice. The technical drawings do not define the details of the product. The measurements shown are indicative and may undergo changes. In particular, the dimensions relevant to the padded parts are subject to usage tolerances over time caused by the normal adjustment of the padding. For the specific information, please contact the dealer closest to you.