



Eames® Molded Plastic Chairs and Stools

We introduced Eames Shell Chairs in 100-percent recyclable polypropylene in 2001, more than a decade after discontinuing the original fiberglass shells. The matte plastic offers subtle tactility and notable durability.

Designers

Charles and Ray Eames

Benefits

- Timeless design introduced in 1950 and still in-demand today
- Two biomorphic shell shapes provide surprising comfort
- Stylish guest seating ideal for private offices, collaborative spaces, cafés, and more

Warranty

5 years

[hermanmiller.com/
eames-molded-plastic-chairs](https://hermanmiller.com/eames-molded-plastic-chairs)



Eames® Molded Plastic Chairs and Stools

Images



[View image library](#)

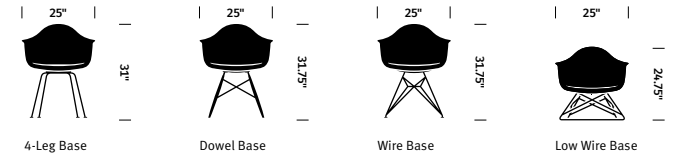
Key Features



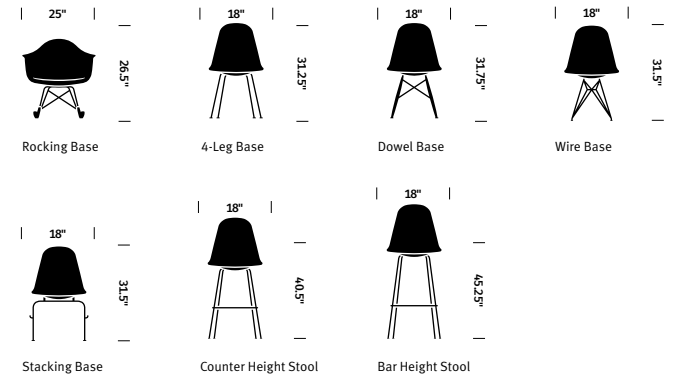
1. Made from 100-percent recyclable polypropylene
2. Subtle matte texture for soft tactility
3. Available in two shell shapes: side chair or armchair
4. Choice of bases, shell colors, and optional upholstery or seat pads

Statement of Line Overview

Armchair Shell



Side Chair Shell



These drawings represent a sample of the dimensions and configurations available. Download the [price book](#) for a full listing of all available product configurations.

Materials

[Click Here](#) to see our complete materials offering for Eames Molded Plastic Chairs and Stools.

Sustainability

[Click Here](#) to see how Eames Molded Plastic Chairs and Stools meet your environmental goals.

Design Files

[View Revit families](#)