

---

# Diesis

SOFAS

*Antonio Citterio*

*Paolo Nava*



## Description

The epitome of innovative research and sophisticated handcrafting skills, it has become a landmark in the history of design. The absolute elegance even when seen from the back with the thick leather upholstered backrest that reveals its flexible structure ensures its leading role when placed at the centre of a room. Distinctive features and technological materials make it a product that meets the most sophisticated international taste. The comfort of the entire series is guaranteed by soft padding.

---

## Technical information

### Frame:

steel sheet and steel profiles covered in thick leather

### Seat cushion upholstery:

shaped polyurethane of different density, sterilized down, polyurethane inserts, polyester fibre cover

### Back and armrest cushion upholstery:

sterilized down, polyurethane inserts

### Support frame and feet:

die-cast aluminium and tubular steel

### Ferrules:

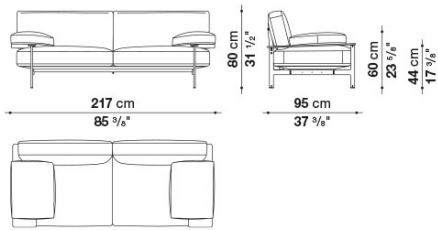
plastic material

### Cover:

fabric or leather

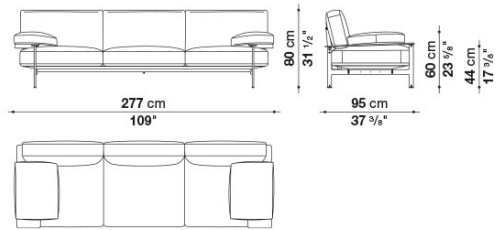
# Technical drawings

**DS217**



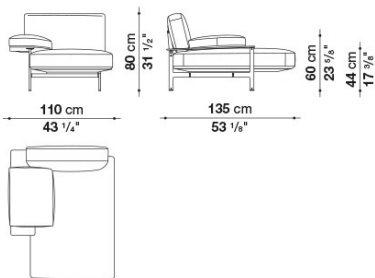
**DS217**

**DS277**



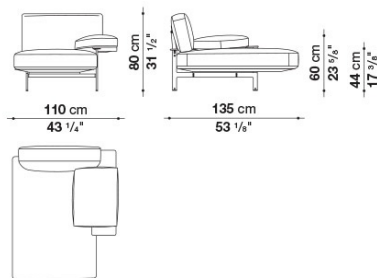
**DS277**

**DS135LS**

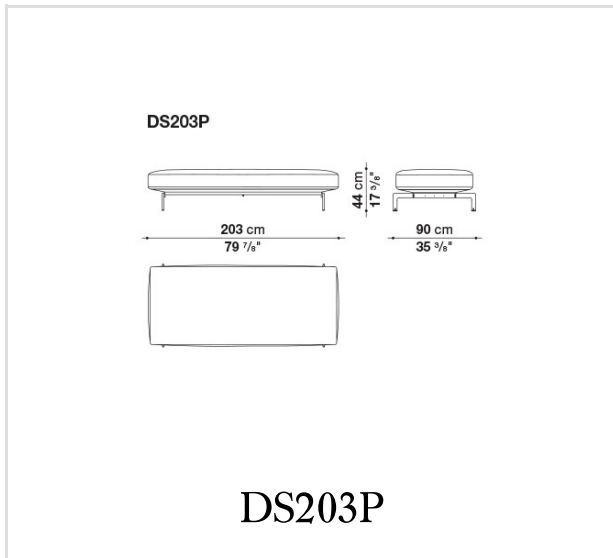


**DS135LS**

**DS135LD**



**DS135LD**



B&B Italia reserves the right to make technological and aesthetic improvements to its models, including changes to the sizes and materials, without notice. The technical drawings do not define the details of the product. The measurements shown are indicative and may undergo changes. In particular, the dimensions relevant to the padded parts are subject to usage tolerances over time caused by the normal adjustment of the padding. For the specific information, please contact the dealer closest to you.