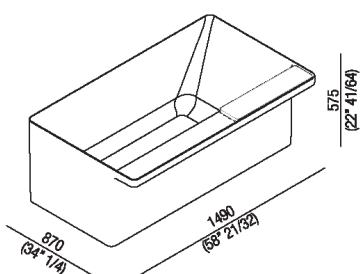




Freestanding bathtub  
 AVAS1075\_

design LucidiPevere, 2015

Rectangular free-standing bathtub featuring a side shelf.



**Finishes**

-  White/dark grey
-  White/light grey
-  White
-  Iroko

**Materials**

-  Cristalplant® biobased

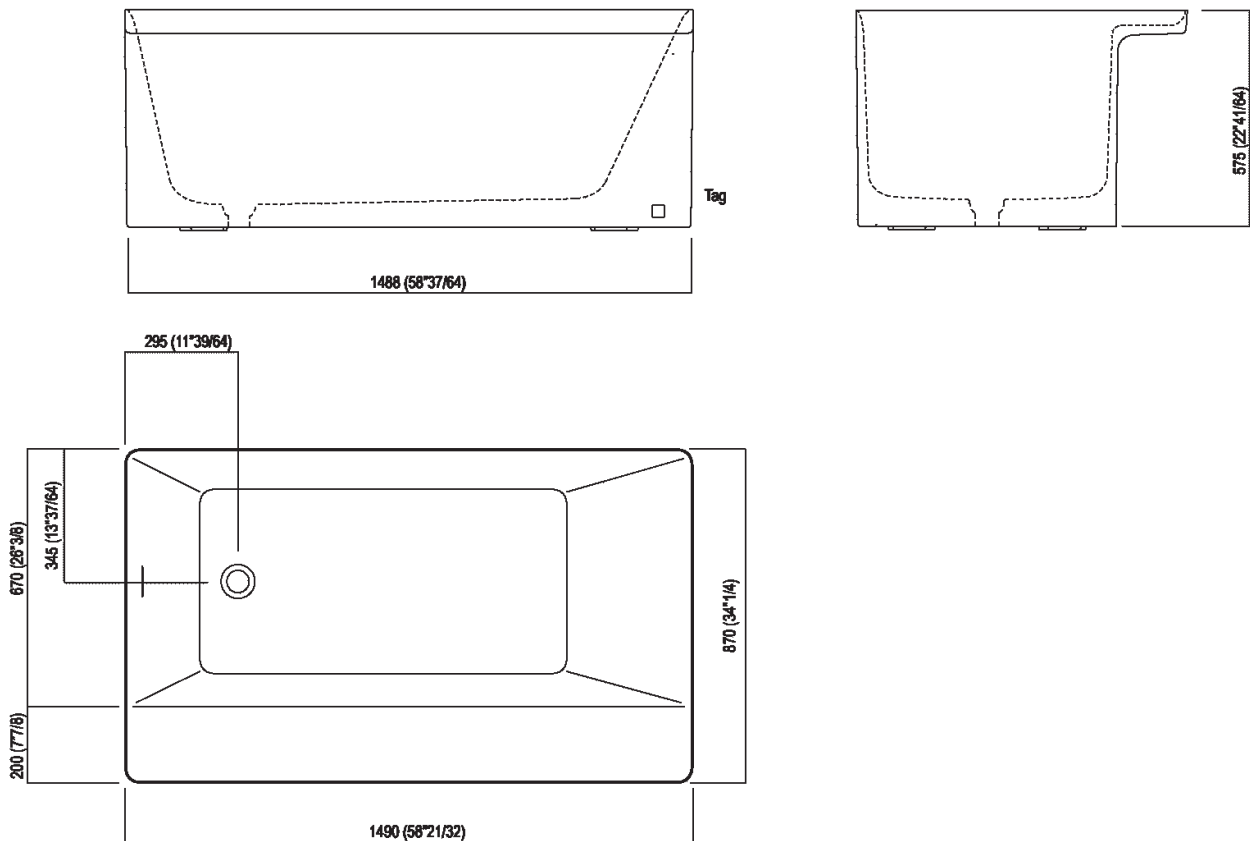


Bathtub in white Cristalplant® biobased or two-coloured (exterior in dark grey RAL7021 or light grey RAL7044) featuring a side shelf which can be equipped with a iroko tray. Available in freestanding version, with overflow hole. The tap can be positioned on the wall or on the ground. With waste with cap in white Cristalplant® biobased .MET0725C (can also be used for bathtubs on display). The two-coloured model can be made in a colour chosen by the client with a surcharge of 15%. For an easier installation of the bathtub we recommend to use the template for the positioning of the waste trap AKITPZVAS.

Height:	57.5 cm	22" 41/64 inches
Length:	149 cm	58" 21/32 inches
Weight:	115 kg	253 lbs
Depth:	87 cm	34" 1/4 inches
Capacity:	277 l	74 gal
Packaging:	100 x 200 x 82 cm	39" 3/8 x 78" 3/4 x 32" 1/4 inches
Total weight:	173 kg	381 lbs

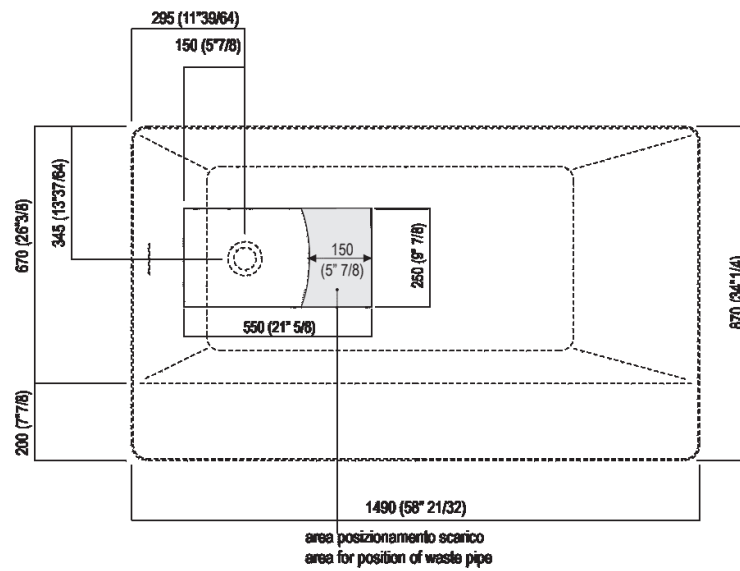


Main dimensions



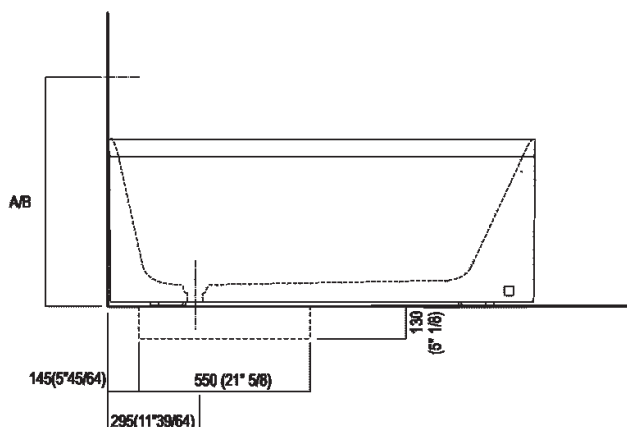


Dimensions for recess





Dimensions for wall mounted taps

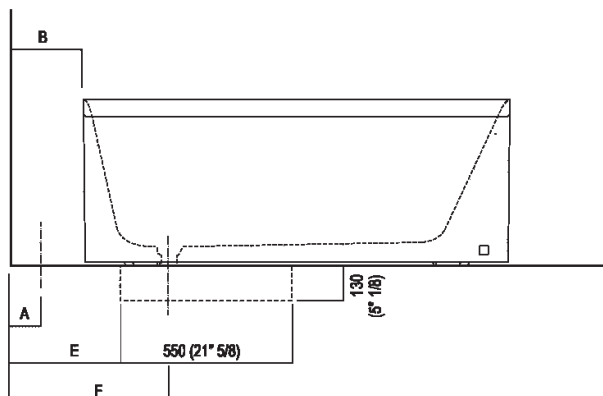
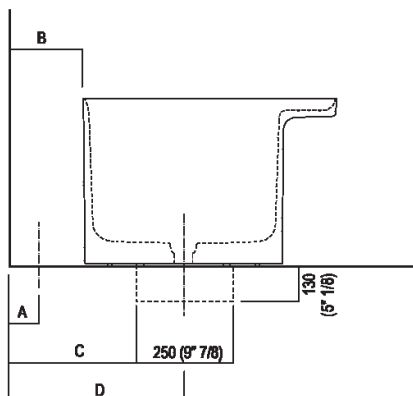


FEZ (ARUB050000L, ARUB051000L, ARUB150000C, ARUB151000C, ARUB1089S, ARUB190000C, ARUB191000C, ARUB1091S)	A* 725 (28'35/64)	B** -
MEMORY (ARUB1076S, ARUB1077S, ARUB1040S)	725 (28'35/64)	-
SQUARE (ARUB0932N, ARUB0933N)	-	725 (28'35/64)
SEN (ASEN0912V)	-	725 (28'35/64)

\* inserisse gruppo / axial distance for tap  
 \*\* filo inferiore gruppo / Tap's lower edge



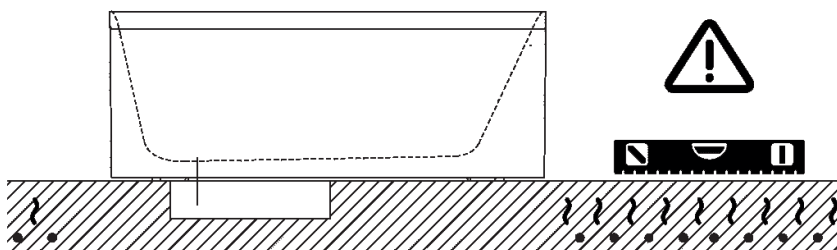
Dimensions for freestanding spouts



	A	B	C	D	E	F
FEZ (ARUB140, ARUB145, ARUB170N)	80 (3 <sup>1</sup> / <sub>8</sub> )	200 (7 <sup>7</sup> / <sub>8</sub> )	420 (16 <sup>17</sup> / <sub>32</sub> )	545 (21 <sup>29</sup> / <sub>64</sub> )	345 (13 <sup>37</sup> / <sub>64</sub> )	495 (19 <sup>31</sup> / <sub>64</sub> )
MEMORY (ARUB1078, ARUB1072, ARUB1033)	80 (3 <sup>1</sup> / <sub>8</sub> )	200 (7 <sup>7</sup> / <sub>8</sub> )	420 (16 <sup>17</sup> / <sub>32</sub> )	545 (21 <sup>29</sup> / <sub>64</sub> )	345 (13 <sup>37</sup> / <sub>64</sub> )	495 (19 <sup>31</sup> / <sub>64</sub> )
SQUARE (ARUB0961L, ARUB0934L, ARUB0935NL, ARUB0936NL, ARUB0952L, ARUB1024N, ARUB1112, ARUB1115)	80 (3 <sup>1</sup> / <sub>8</sub> )	165 (6 <sup>1</sup> / <sub>2</sub> )	385 (15 <sup>5</sup> / <sub>32</sub> )	510 (20 <sup>5</sup> / <sub>64</sub> )	310 (12 <sup>13</sup> / <sub>64</sub> )	460 (18 <sup>7</sup> / <sub>64</sub> )
SEN (ASEN0911)	80 (3 <sup>1</sup> / <sub>8</sub> )	165 (6 <sup>1</sup> / <sub>2</sub> )	385 (15 <sup>5</sup> / <sub>32</sub> )	510 (20 <sup>5</sup> / <sub>64</sub> )	310 (12 <sup>13</sup> / <sub>64</sub> )	460 (18 <sup>7</sup> / <sub>64</sub> )



**Notes**



**La vasca deve essere installata su un pavimento perfettamente piano.**  
**The bathtub must be positioned on a flat floor surface.**

**E' necessario predisporre a pavimento un pozzetto.**  
**It is necessary to prepare a recess in the floor.**

**Evitare di realizzare impianti di riscaldamento nell'area sottostante la vasca.**  
**Avoid the installation of floor heating plants in the area under the bathtub.**