
Tobi-Ishi Outdoor

TABLES

Edward Barber and Jay Osgerby



Description

After the debut in the home collection, Edward Barber & Jay Osgerby design Tobi-Ishi Outdoor, the outdoor version of the iconic round dining table and of the small table clearly inspired by Zen. The design duo are great enthusiasts of Japanese art and culture, and the name and inspiration come from the smooth stones (tobi-ishi) used as ornaments in traditional Zen gardens. The overhang of the table and the vertical trapezoidal bases set at right angles generate an essential sculptural figure that appears to change shape depending on the point of observation. Exclusively made of cement, Tobi-Ishi Outdoor comes in two colour variants, grey and anthracite.

Technical information

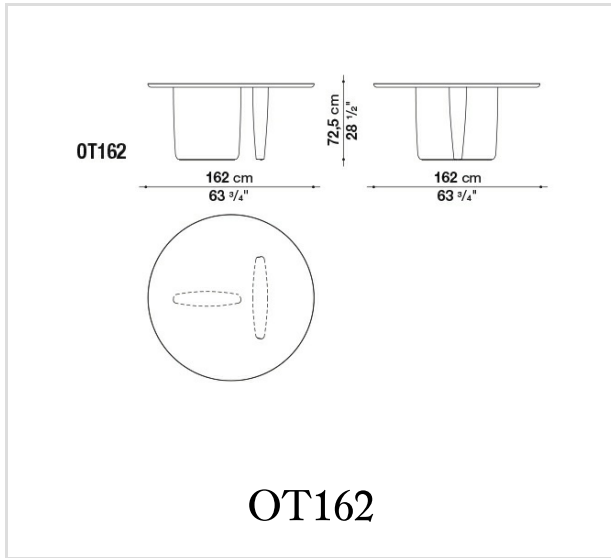
Top and legs
cement (Ultra High Performance Concrete)

Coupling plate
galvanized sheet

Feet
stainless steel

Ferrules
thermoplastic material

Technical drawings



B&B Italia reserves the right to make technological and aesthetic improvements to its models, including changes to the sizes and materials, without notice. The technical drawings do not define the details of the product. The measurements shown are indicative and may undergo changes. In particular, the dimensions relevant to the padded parts are subject to usage tolerances over time caused by the normal adjustment of the padding. For the specific information, please contact the dealer closest to you.