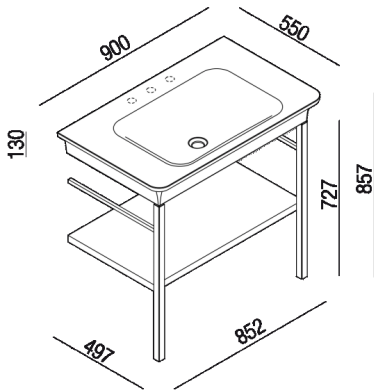




Structure for washbasin with shelf
 ACER1072_

design Benedini Associati, 2014

Washbasin white Ceramilux with wide
 space around the basin.



Finishes

- Polished
- Painted dark grey
- Painted matt light grey
- Brushed burnished
- Matt white painted

Materials

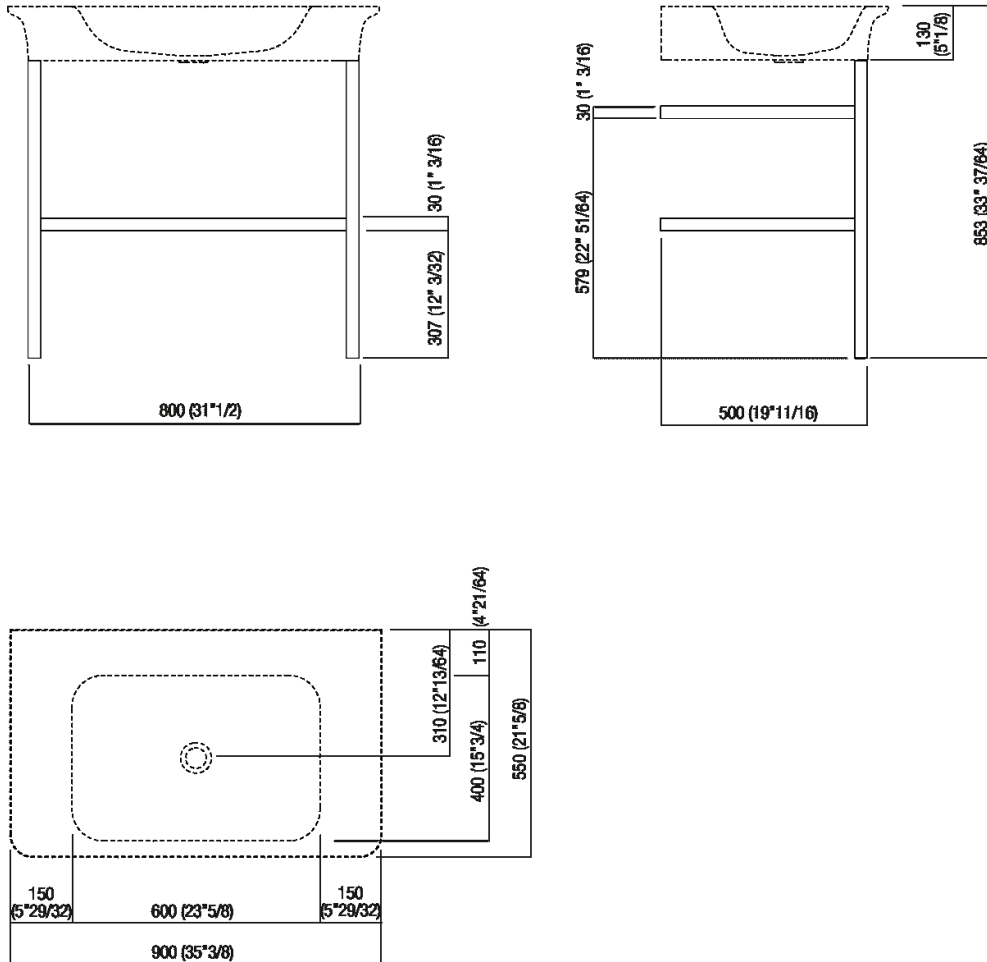
- Stainless steel

Washbasin in matt or glossy white Ceramilux®; the matt finish is available in white or two-coloured with dark grey (RAL7021) or light grey (RAL7044) exterior, without tap hole, with one or three tap holes. Without overflow, fixing kit included. Available in two versions: wall mounted or supported by structure polished stainless steel or brushed burnished or painted white (RAL9003), dark grey (RAL7021) or light grey (RAL7044), with side towel rails and accessory shelf in white lacquer finish wood. Washbasin and structure also available with colours chosen by customer (15% extra charge) for the washbasin on the price for the two-coloured finish; for the structure on the price of the polished stainless steel finish. Different finishes of the structure are possible too, with price to be calculated. The single washbasin can be installed on the storage units in the Flat XL program with 80 cm length (31" 1/2) and 50 cm (19" 5/8) depth. Designed for waste .MET0563.

Height:	72.7 cm	28" 5/8 inches
Width:	85.2 cm	33" 53/64 inches
Weight:	15 kg	33 lbs
Depth:	49.7 cm	19" 9/16 inches
Packaging:	95 x 12,5 x 52 cm	37" 13/32 x 4" 59/64 x 20" 15/32 inches
Total weight:	16 kg	35 lbs

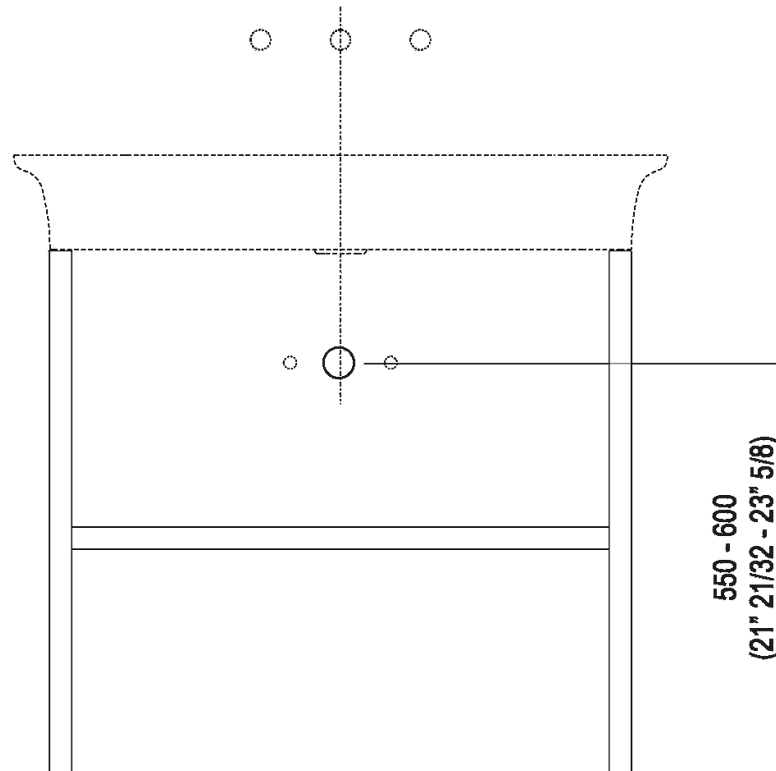


Main dimensions





Installation notes

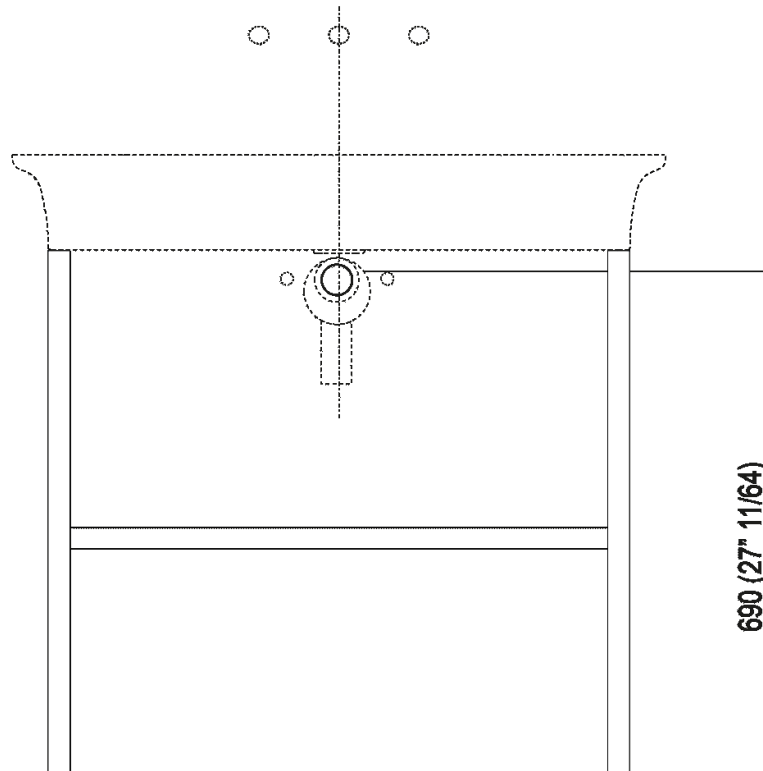


Scarico per sifone a bottiglia
Drain for bottle trap

*h.consigliata / advised h.



Installation notes

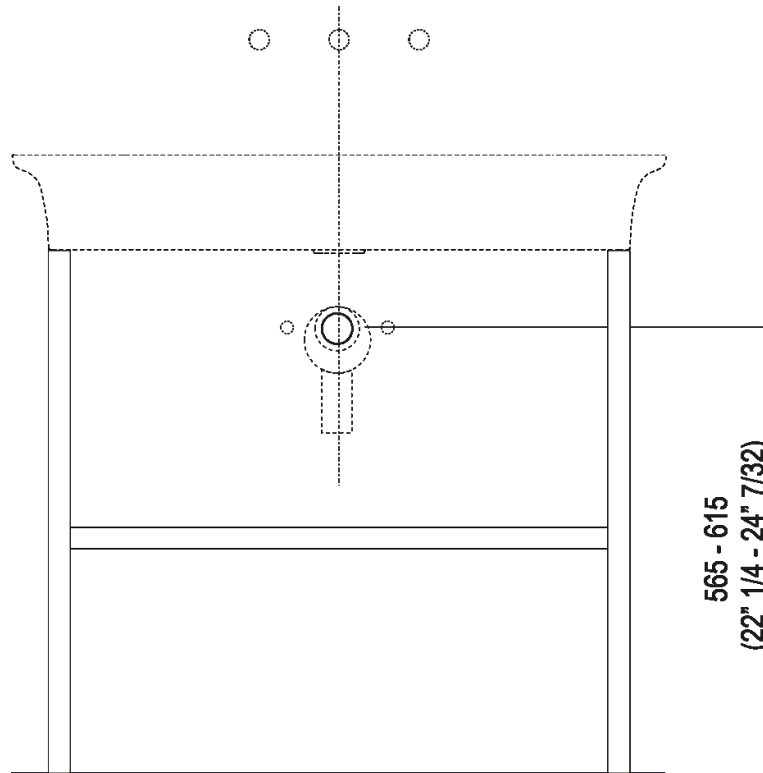


Scarico per sifone ad incasso e piletta con canotto fisso
Drain for concealed waste trap with not adjustable pipe

*h.consigliata / advised h.



Installation notes



Scarico per sifone ad incasso
Drain for concealed waste trap

*h.consigliata / advised h.