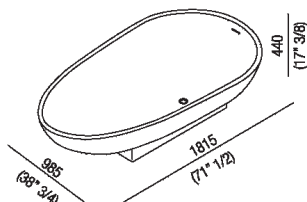




Bathtub
 AVAS0901Z

design Benedini Associati, 1998

Iconic free-standing bathtub in Cristalplant®
 biobased.



Finishes



White



White/dark grey



White/light grey

Materials



Cristalplant® biobased

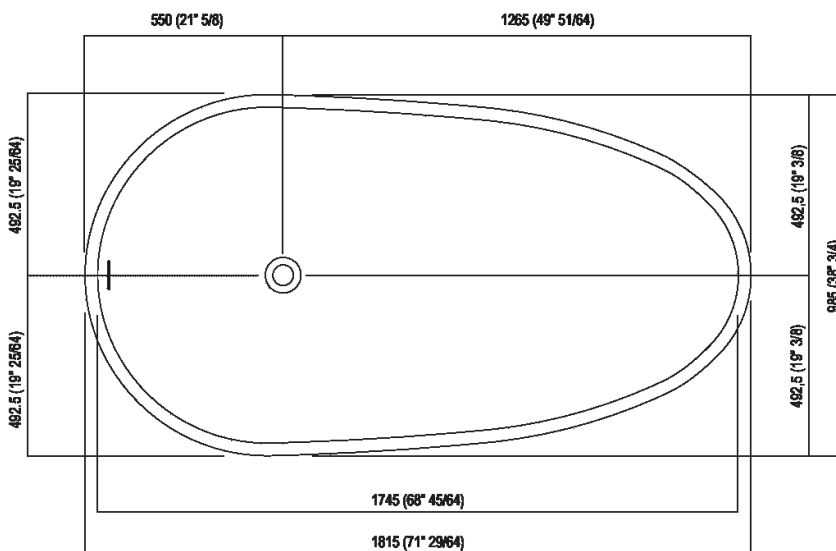
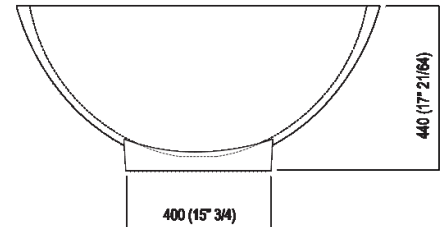
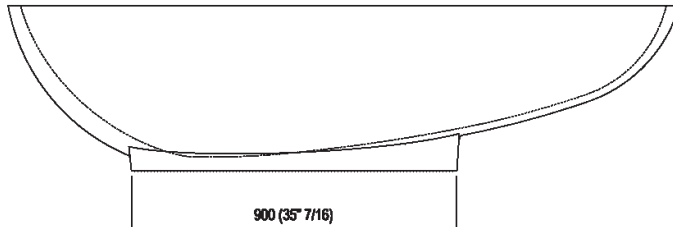
Oval bathtub made from white Cristalplant® biobased or two colour (exterior in dark grey RAL7021 or light grey RAL 7044); with overflow hole, without tap holes. Taps can be wall or floor mounted. The bathtub must be fitted with waste trap .MET0477 or .MET0477C (.MET0434 or .MET0477C for display tubs). For an easier installation of the bathtubs we recommend to use the template for the positioning of the waste trap AKITPZVAS.

Height:	44 cm	17" 3/8 inches
Length:	181.5 cm	71" 1/2 inches
Weight:	85 kg	187 lbs
Depth:	98.5 cm	38" 3/4 inches
Capacity:	220 l	58 gal
Packaging:	107 x 192 x 60 cm	42" 1/8 x 75" 5/8 x 23" 5/8 inches
Total weight:	131 kg	289 lbs

Note: The two-coloured model can be made in colours chosen by the client with a surcharge of 15% on the price of the two-coloured finish.

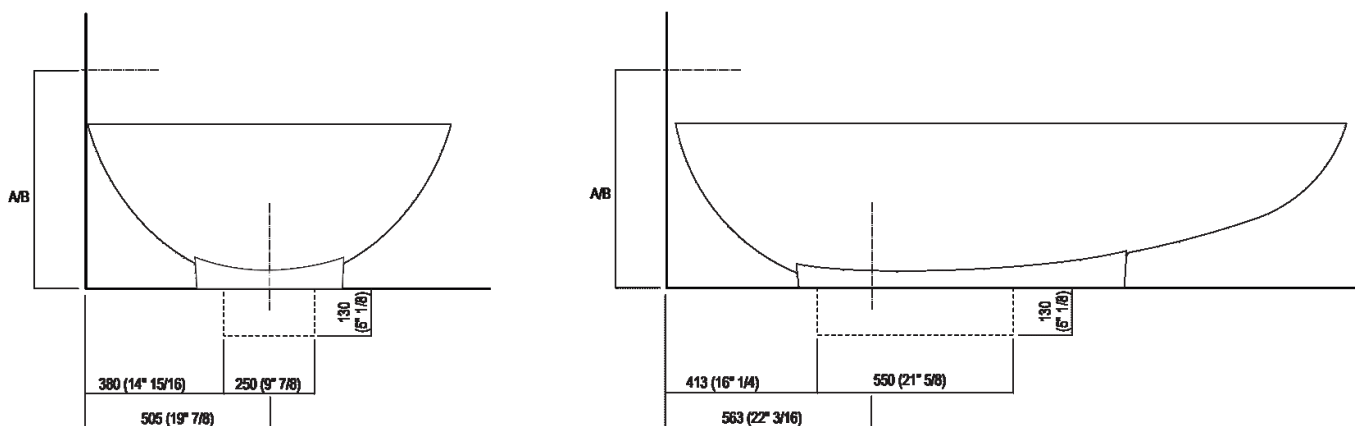


Main dimensions





Dimensions for wall mounted taps

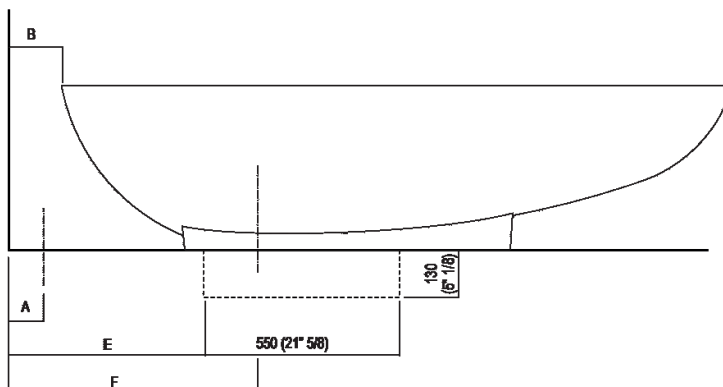
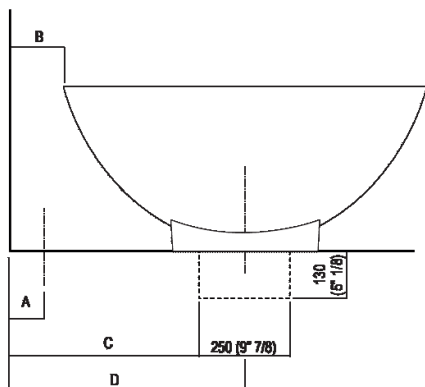


	A*	B**
FEZ (ARUB050000L, ARUB051000L, ARUB150000C, ARUB151000C, ARUB1089S, ARUB190000C, ARUB191000C, ARUB1091S)	590 (23" 1/4)	-
MEMORY (ARUB1076S, ARUB1077S, ARUB1040S)	590 (23" 1/4)	-
SQUARE (ARUB0932N, ARUB0933N, ARUB1117)	-	590 (23" 1/4)
SEN (ASEN0912V)	-	590 (23" 1/4)

* inserimento gruppo / axial distance for tap
 ** filo inferiore gruppo / Tap's lower edge



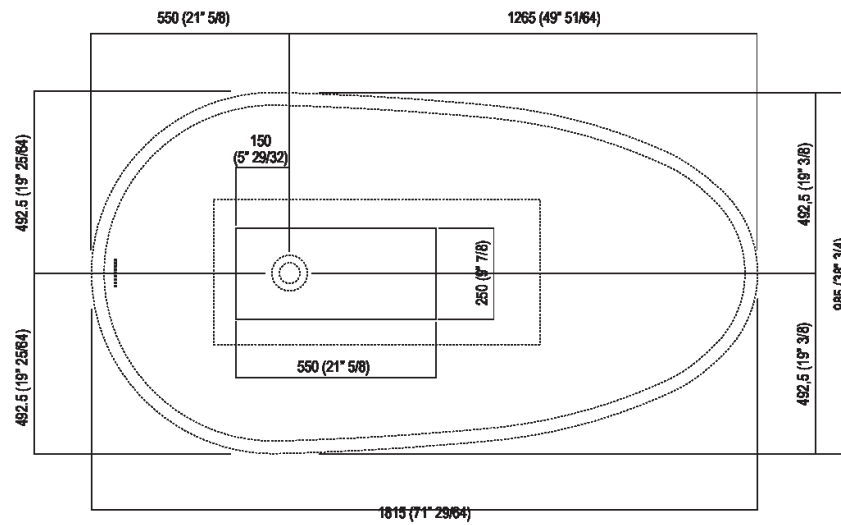
Dimensions for freestanding spoons



	A	B	C	D	E	F
FEZ (ARUB140, RAUB145, ARUB170N)	80 (3 ¹ / ₈)	200 (7 ⁷ / ₈)	567 (22 ⁵ / ₁₆)	692 (27 ¹ / ₄)	600 (23 ⁵ / ₈)	750 (29 ¹ / ₂)
MEMORY (ARUB1078, ARUB1072, ARUB1033)	80 (3 ¹ / ₈)	200 (7 ⁷ / ₈)	567 (22 ⁵ / ₁₆)	692 (27 ¹ / ₄)	600 (23 ⁵ / ₈)	750 (29 ¹ / ₂)
SQUARE (ARUB0961L, ARUB0934L, ARUB0935NL, ARUB0936NL, ARUB0952L, ARUB1024N, ARUB1112, ARUB1115)	80 (3 ¹ / ₈)	165 (6 ¹ / ₅)	507 (20 ^o)	657 (27 ⁵ / ₈)	590 (23 ¹ / ₄)	715 (28 ¹ / ₈)
SEN (ASEN0911)	80 (3 ¹ / ₈)	165 (6 ¹ / ₅)	507 (20 ^o)	657 (27 ⁵ / ₈)	590 (23 ¹ / ₄)	715 (28 ¹ / ₈)

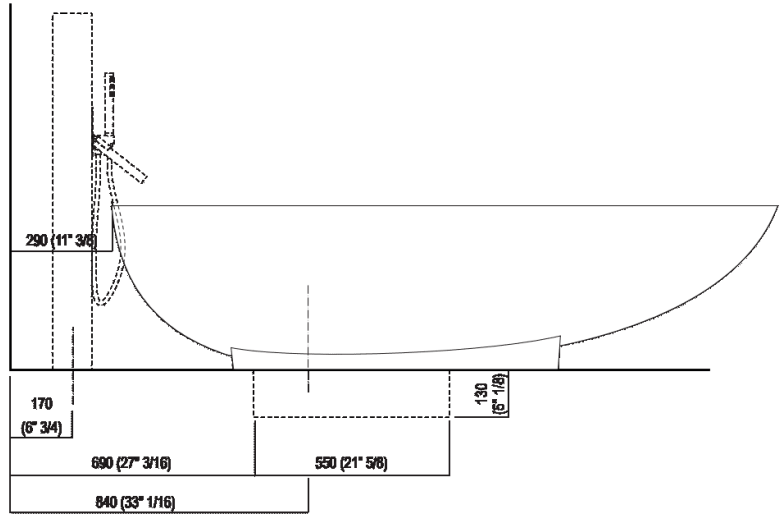
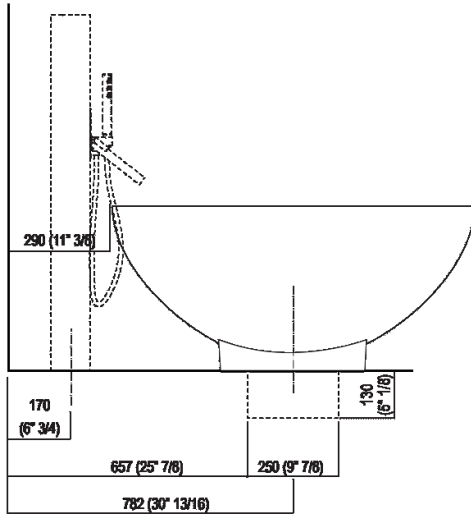


Dimensions for recess



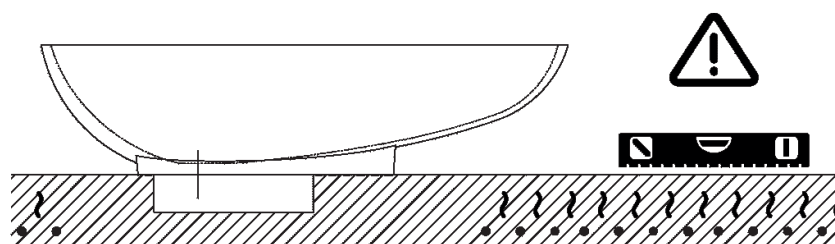


Dimensions for tap support





Note



La vasca deve essere installata su un pavimento perfettamente piano.
The bathtub must be positioned on a flat floor surface.

E' necessario predisporre a pavimento un pozzetto.
It is necessary to prepare a recess in the floor.

Evitare di realizzare impianti di riscaldamento nell'area sottostante la vasca.
Avoid the installation of floor heating plants in the area under the bathtub.