
George

SOFAS

Antonio Citterio



Description

The new sofa George for the Project Collection is a derivative of the classic product originally created by Antonio Citterio in 2001. For the contract office market the product has been revised with fuller cushions both seat and back that create an elegant and comfortable seating range with a higher formal seat height. The collection has two armchair sizes and sofas of two and three seats.

Technical information

Internal frame:

tubular steel and steel profiles

Internal frame upholstery:

Bayfit® (Bayer®) flexible cold shaped polyurethane foam, polyester fibre cover

Cushions upholstery:

shaped polyurethane of different density, polyester fibre, cover in polyester fibre and cotton

Support frame:

bright brushed or painted black chrome die-cast aluminium and extrusions

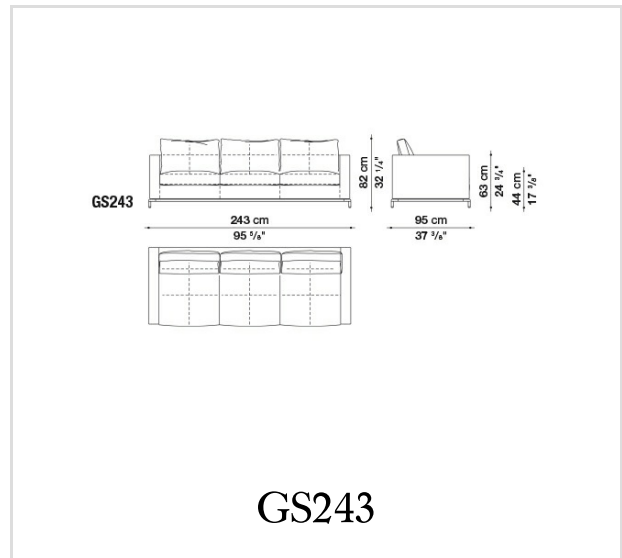
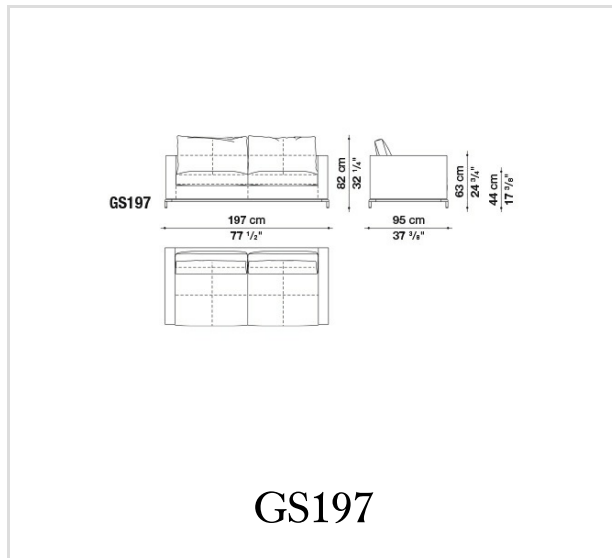
Ferrules:

thermoplastic material

Cover:

fabric or leather in limited categories

Technical drawings



B&B Italia reserves the right to make technological and aesthetic improvements to its models, including changes to the sizes and materials, without notice. The technical drawings do not define the details of the product. The measurements shown are indicative and may undergo changes. In particular, the dimensions relevant to the padded parts are subject to usage tolerances over time caused by the normal adjustment of the padding. For the specific information, please contact the dealer closest to you.