
Husk

BEDS

Patricia Urquiola



Description

Research into softness and comfort is the same base that produced the famous chair that originated this series. Soft and geometric, simple and complex, but above all - cosy and welcoming: a headboard with strong personality, in a single size, that plays on the visual effects of the stitching and accommodates the box springs.

Technical information

Internal frame:

tubular steel and steel profiles

Headboard internal frame upholstery:

Bayfit® (Bayer®) flexible cold shaped polyurethane foam, polyester fibre cover

Bed sides internal frame upholstery:

shaped polyurethane, polyester fibre cover

Feet:

bronzed nickel painted or painted black chrome die-cast aluminium, painted steel sheet

Ferrules:

thermoplastic material

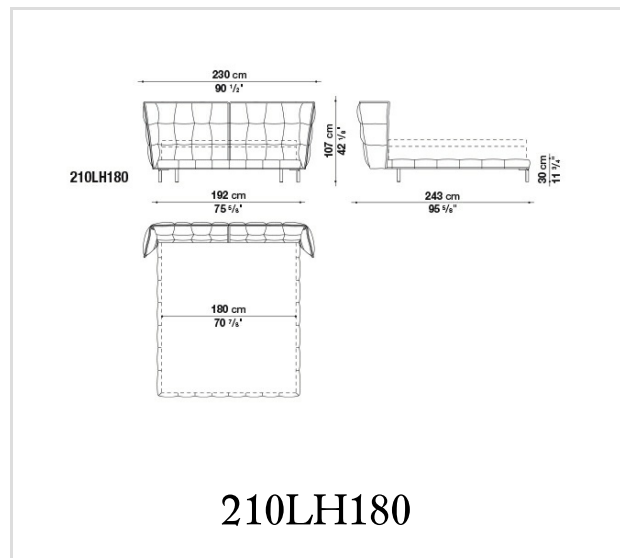
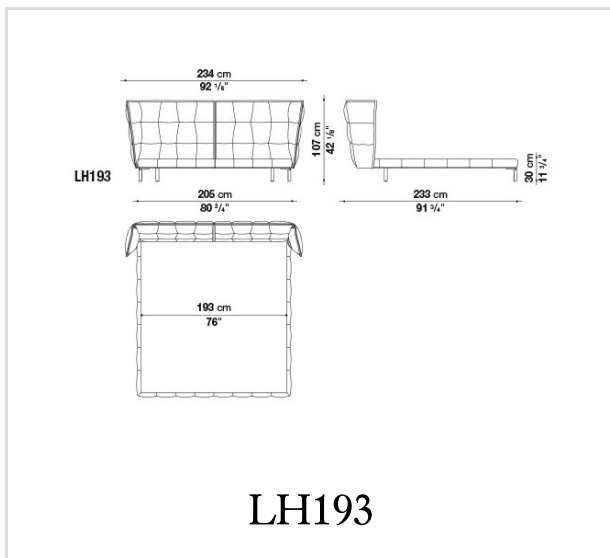
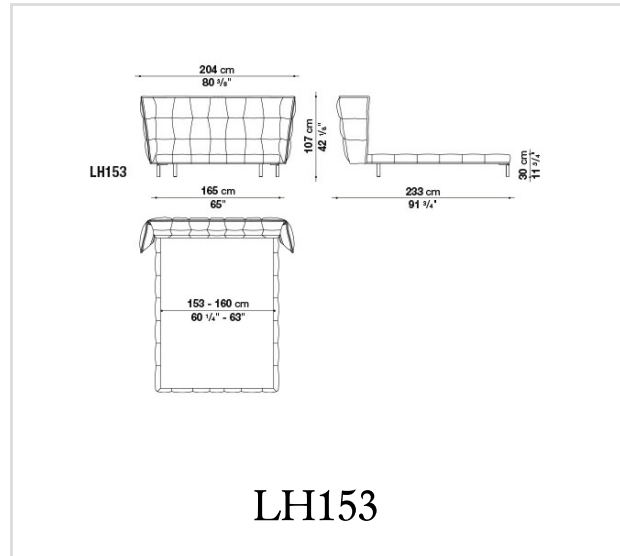
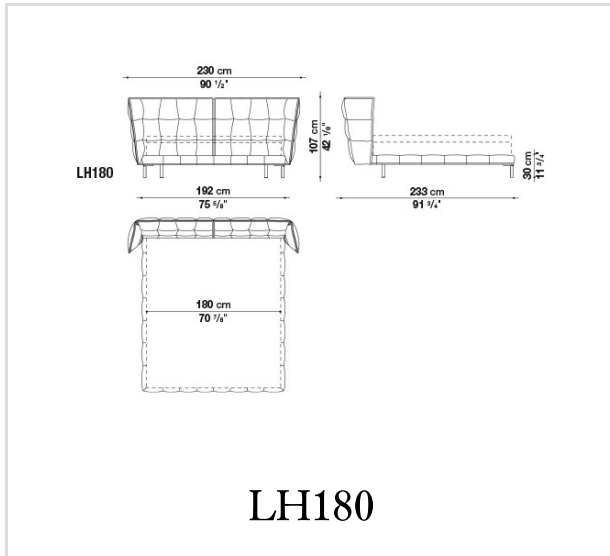
Support crosspieces for slatted base:

painted tubular steel

Cover:

fabric or leather

Technical drawings



B&B Italia reserves the right to make technological and aesthetic improvements to its models, including changes to the sizes and materials, without notice. The technical drawings do not define the details of the product. The measurements shown are indicative and may undergo changes. In particular, the dimensions relevant to the padded parts are subject to usage tolerances over time caused by the normal adjustment of the padding. For the specific information, please contact the dealer closest to you.