

Choose the language

English

Italiano

Deutsch

Français

Español

NORI

Sizes

Prof. 80 cm Depth 314³/₈"

80	114 cm 44 ⁷ / ₈ "	→ Alucompact® → Pure-white → Glass
	114/154/194 cm 44 ⁷ / ₈ /60 ⁵ / ₈ /76 ³ / ₈ "	→ Alucompact® → Pure-white → Glass
	139 cm 54 ⁶ / ₈ "	→ Alucompact® → Pure-white → Glass
	139/179/219 cm 54 ⁶ / ₈ /70 ⁴ / ₈ /86 ² / ₈ "	→ Alucompact® → Pure-white → Glass
	166 cm 65 ³ / ₈ "	→ Alucompact® → Pure-white → Glass
	166/206/246 cm 65 ³ / ₈ /81 ¹ / ₈ /96 ⁷ / ₈ " *	→ Alucompact® → Pure-white → Glass
	189 cm 74 ³ / ₈ "	→ Alucompact® → Pure-white → Glass
	209 cm 82 ² / ₈ "	→ Alucompact® → Pure-white → Glass
	229 cm 90 ¹ / ₈ "	→ Alucompact® → Pure-white → Glass
	249 cm 98"	→ Alucompact® → Pure-white → Glass
	269 cm 105 ⁷ / ₈ "	→ Alucompact® → Pure-white → Glass
289 cm 113 ⁶ / ₈ "	→ Alucompact® → Pure-white → Glass	

Prof. 90 cm Depth 353³/₈"

90	114 cm 44 ⁷ / ₈ "	→ Alucompact® → Pure-white → Glass
	139 cm 54 ⁶ / ₈ "	→ Alucompact® → Pure-white → Fenix-NTM® → Glass → DEKTON®
	139/176/214 cm 54 ⁶ / ₈ /69 ² / ₈ /84 ² / ₈ "	→ Alucompact® → Pure-white → Fenix-NTM® → Glass → DEKTON®
	166 cm 65 ³ / ₈ "	→ Alucompact® → Pure-white → Fenix-NTM® → Glass → DEKTON®
	166/203/241/278 cm 65 ³ / ₈ /79 ⁷ / ₈ /94 ⁷ / ₈ /109 ⁴ / ₈ "	→ Alucompact® → Pure-white → Fenix-NTM® → Glass
	166/203/241 cm 65 ³ / ₈ /79 ⁷ / ₈ /94 ⁷ / ₈ "	→ DEKTON®
	166/201/236/271 cm 65 ³ / ₈ /79 ¹ / ₈ /92 ⁷ / ₈ /106 ⁶ / ₈ "	→ Wood
	189 cm 74 ³ / ₈ "	→ Alucompact® → Pure-white → Fenix-NTM® → Glass → DEKTON® → Wood
	189/226/263 cm 74 ³ / ₈ /89/103 ⁴ / ₈ " *	→ Alucompact® → Pure-white → Fenix-NTM® → Glass
	189/226/263 cm 74 ³ / ₈ /89/103 ⁴ / ₈ "	→ DEKTON®
	189/224/259/294 cm 74 ³ / ₈ /88 ² / ₈ /102/115 ⁶ / ₈ "	→ Wood
	209 cm 82 ² / ₈ "	→ Alucompact® → Pure-white → Fenix-NTM® → Glass → Wood
	209/246/283 cm 82 ² / ₈ /96 ⁷ / ₈ /111 ³ / ₈ " *	→ Alucompact® → Pure-white → Fenix-NTM® → Glass
	209/253/297 cm 82 ² / ₈ /99 ⁵ / ₈ /116 ⁷ / ₈ "	→ Wood
	229 cm 90 ¹ / ₈ "	→ Alucompact® → Pure-white → Glass → Wood
	249 cm 98"	→ Alucompact® → Pure-white → Glass → Wood
	269 cm 105 ⁷ / ₈ "	→ Alucompact® → Pure-white → Glass → Wood
	289 cm 113 ⁶ / ₈ "	→ Alucompact® → Pure-white → Glass → Wood

Prof. 100 cm Depth 393³/₈"

100	139 cm 54 ⁶ / ₈ "	→ Alucompact® → Pure-white → Glass
	166 cm 65 ³ / ₈ "	→ Alucompact® → Pure-white → Fenix-NTM® → Glass → DEKTON®
	166/213/260 cm 65 ³ / ₈ /83 ⁷ / ₈ /102 ³ / ₈ " *	→ Alucompact® → Pure-white → Fenix-NTM® → Glass
	166/203/240 cm 65 ³ / ₈ /79 ⁷ / ₈ /94 ⁴ / ₈ "	→ DEKTON®
	166/201/236/271 cm 65 ³ / ₈ /79 ¹ / ₈ /92 ⁷ / ₈ /106 ⁶ / ₈ "	→ Wood
	189 cm 74 ³ / ₈ "	→ Alucompact® → Pure-white → Fenix-NTM® → Glass → DEKTON® → Wood
	189/236/283 cm 74 ³ / ₈ /92 ⁷ / ₈ /111 ³ / ₈ " *	→ Alucompact® → Pure-white → Fenix-NTM® → Glass
	189/226/263 cm 74 ³ / ₈ /89/103 ⁴ / ₈ "	→ DEKTON®
	189/224/259/294 cm 74 ³ / ₈ /88 ² / ₈ /102/115 ⁶ / ₈ "	→ Wood
	209 cm 82 ² / ₈ "	→ Alucompact® → Pure-white → Fenix-NTM® → Glass → Wood
	209/256/303 cm 82 ² / ₈ /100 ⁶ / ₈ /119 ² / ₈ " *	→ Alucompact® → Pure-white → Fenix-NTM® → Glass
	209/253/297 cm 82 ² / ₈ /99 ⁵ / ₈ /116 ⁷ / ₈ "	→ Wood
	229 cm 90 ¹ / ₈ "	→ Alucompact® → Pure-white → Glass → DEKTON® → Wood
	249 cm 98"	→ Alucompact® → Pure-white → Glass → Wood
	269 cm 105 ⁷ / ₈ "	→ Alucompact® → Pure-white → Glass → DEKTON® → Wood
289 cm 113 ⁶ / ₈ "	→ Alucompact® → Pure-white → Glass → Wood	

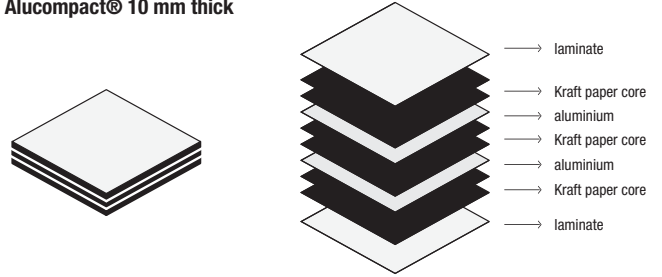
* = 3rd additional extension (on request)

Tops

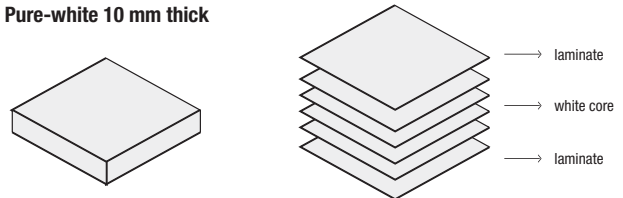
Prof. 124 cm
Depth 483/8"

124	209 cm 82 2/8"	→ Alucompact® → Pure-white → Glass
	229 cm 90 1/8"	→ Alucompact® → Pure-white → Glass
	277 cm 109"	→ Alucompact® → Pure-white → Glass

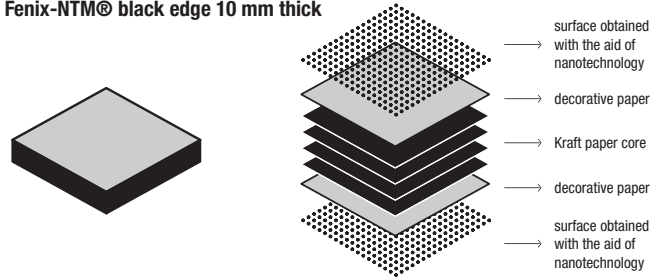
Alucompact® 10 mm thick



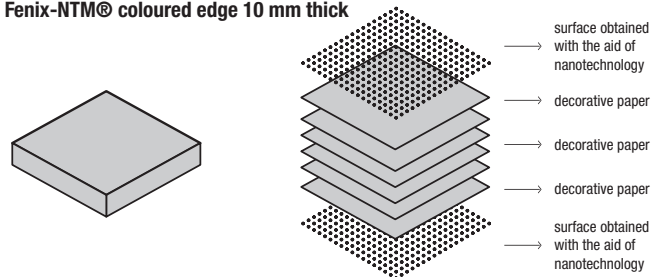
Pure-white 10 mm thick



Fenix-NTM® black edge 10 mm thick



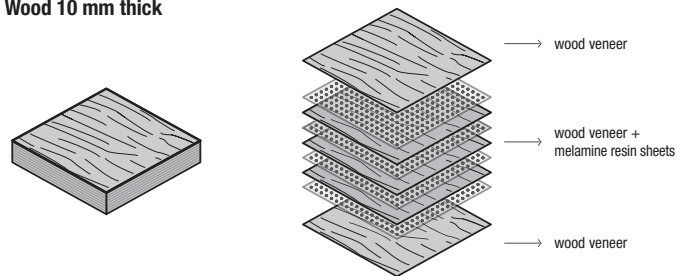
Fenix-NTM® coloured edge 10 mm thick



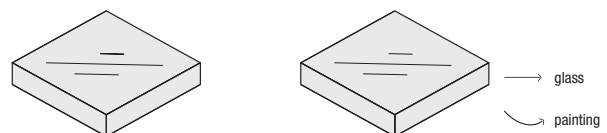
DEKTON® by Cosentino 8 mm thick



Wood 10 mm thick



Glass 10 mm thick



NORI ALUcompact® / PURE-WHITE

Extensible - Depth 80 cm

Leg finish:

Anodised aluminium

White lacquered aluminium (similar to RAL 9016)

"Alucompact® sand grey" lacquered aluminium (similar to RAL 9002)

"Alucompact® anthracite grey" lacquered aluminium (similar to RAL 7015)

Black lacquered aluminium (similar to RAL 9004)

Finish of top/extensions:

Alucompact® laminate (white, sand grey, anthracite grey, black)

Pure-white laminate

Note:

For tables with codes marked with an asterisk (*), a third extension can be added to further increase the length.

Important: sizes and finishes marked with (!) require longer production lead time, about 6 weeks from the date of the order.

Reinforced packaging, see inside cover.

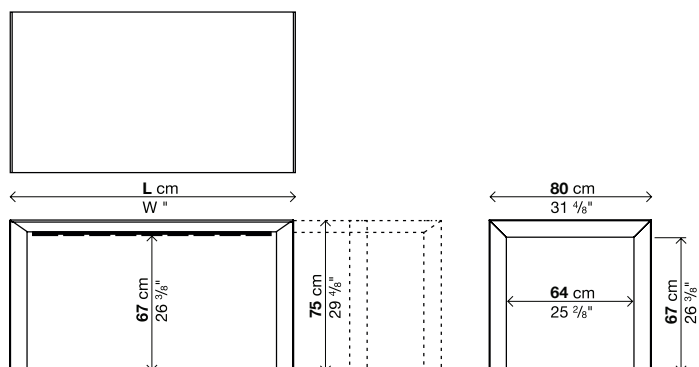
Code	Lenght	Legs	Top		pack	m ³	Kg
			Alucompact®	Pure-white (!)			
01NOR01	114-154-194	Aluminium			3	0,32	63
		Lacquered					
01NOR02	139-179-219	Aluminium			3	0,37	69
		Lacquered					
01NOR07*	166-206-246	Aluminium			3	0,42	75
		Lacquered					

(*) 3rd additional extension

Code	Lenght	Top		pack	m ³	Kg
		Alucompact®	Pure-white			
50SUS5A	33 cm			1	0,03	6

Optionals

Code	Description	pack	m ³	Kg
02GTA02	Legs height cut to size	-	-	-



NORI ALUCOMPACT® / PURE-WHITE

Fixed - Depth 80 cm

Leg finish:

Anodised aluminium
 White lacquered aluminium (similar to RAL 9016)
 "Alucompact® sand grey" lacquered aluminium (similar to RAL 9002)
 "Alucompact® anthracite grey" lacquered aluminium (similar to RAL 7015)
 Black lacquered aluminium (similar to RAL 9004)

Finish of top:

Alucompact® laminate (white, sand grey, anthracite grey, black)

Pure-white laminate

Note:

Important: sizes and finishes marked with (!) require longer production lead time, about 6 weeks from the date of the order.

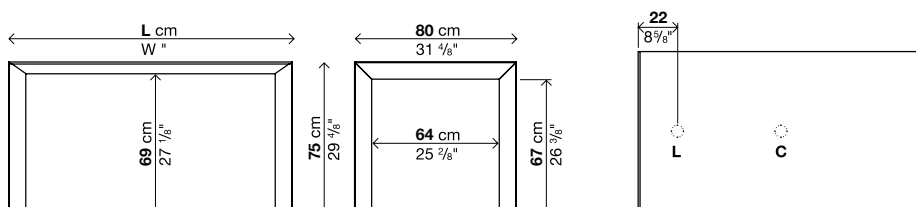
Tables that extend to more than 250 cm have a top that slightly bends, which complies with accepted quality standards.

Reinforced packaging, see inside cover.

Code	Lenght	Legs	Top		pack	m³	Kg
			Alucompact®	Pure-white			
01NOR01F	114	Aluminium			1	0,27	35
		Lacquered					
01NOR02F	139	Aluminium			1	0,32	41
		Lacquered					
01NOR28F	166 (!)	Aluminium			1	0,37	47
		Lacquered					
01NOR33F	189 (!)	Aluminium			1	0,41	52
		Lacquered					
01NOR35F	209 (!)	Aluminium			1	0,45	56
		Lacquered					
01NOR37F	229 (!)	Aluminium			1	0,49	60
		Lacquered					
01NOR43F	249 (!)	Aluminium			1	0,53	65
		Lacquered					
01NOR45F	269 (!)	Aluminium			1	0,57	68
		Lacquered					
01NOR47F	289 (!)	Aluminium			1	0,61	72
		Lacquered					

Optionals

Code	Description	pack	m³	Kg
02GTA02	Legs height cut to size	-	-	-
02FOR01	Lateral or central cable hole Ø6	-	-	-
02RET01	Plastic cable mesh	1	0,07	1
02VER01	Vertebra, opal white methacrylate	1	0,007	1,5
02CPU01	CPU unit, opal white methacrylate	1	0,14	5,5



NORI ALUCompact® / PURE-WHITE / FENIX-NTM®

Extensible - Depth 90 cm

Leg finish:

- Anodised aluminium
- White lacquered aluminium (similar to RAL 9016)
- "Alucompact® sand grey" lacquered aluminium (similar to RAL 9002)
- "Alucompact® anthracite grey" lacquered aluminium (similar to RAL 7015)
- Black lacquered aluminium (similar to RAL 9004)
- Olive green lacquered aluminium (colour reference "Olive green polyurethane P008")

Finish of top/extensions:

- Alucompact® laminate (white, sand grey, anthracite grey, black)
-
- Pure-white laminate
-
- Fenix-NTM® black edge (white Kos 0032, London grey 0718, Bromo grey 0724, Ingo black 0720)
-
- Fenix-NTM® coloured edge (white Kos 0032, London grey 0718)

Note:

For tables with codes marked with an asterisk (*), a third extension can be added to further increase the length.

Important: sizes and finishes marked with (!) require longer production lead time, about 6 weeks from the date of the order.

Reinforced packaging, see inside cover.

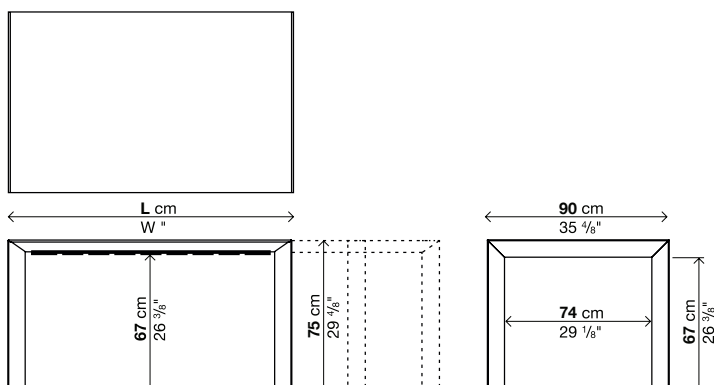
Code	Lenght	Legs	Top				pack	m³	Kg
			Alucompact®	Fenix-NTM® black edge	Pure-white	Fenix-NTM® coloured edge			
01NOR03	139-176-214	Aluminium					3	0,41	71
		Lacquered							
01NOR04	166-203-241-278 3 rd standard extension	Aluminium					4	0,5	81
		Lacquered							
01NOR08*	189-226-263	Aluminium					3	0,51	82
		Lacquered							
01NOR30*	209-246-283	Aluminium					3	0,55	88
		Lacquered							

(*) 3rd additional extension

Code	Lenght	Top				pack	m³	Kg
		Alucompact®	Fenix-NTM® black edge	Pure-white	Fenix-NTM® coloured edge			
50SUS2A	37,5 cm					1	0,03	6,5

Optionals

Code	Description	pack	m³	Kg
02GTA02	Legs height cut to size	-	-	-



NORI ALUCOMPACT® / PURE-WHITE / FENIX-NTM®

Fixed - Depth 90 cm

Leg finish:

Anodised aluminium
 White lacquered aluminium (similar to RAL 9016)
 "Alucompact® sand grey" lacquered aluminium (similar to RAL 9002)
 "Alucompact® anthracite grey" lacquered aluminium (similar to RAL 7015)
 Black lacquered aluminium (similar to RAL 9004)
 Olive green lacquered aluminium (colour reference "Olive green polyurethane P008")

Finish of top:

Alucompact® laminate (white, sand grey, anthracite grey, black)

 Pure-white laminate

 Fenix-NTM® black edge (white Kos 0032, London grey 0718, Bromo grey 0724, Ingo black 0720)

 Fenix-NTM® coloured edge (white Kos 0032, London grey 0718)

Note:

Important: sizes and finishes marked with (!) require longer production lead time, about 6 weeks from the date of the order.

Tables that extend to more than 250 cm have a top that slightly bends, which complies with accepted quality standards.

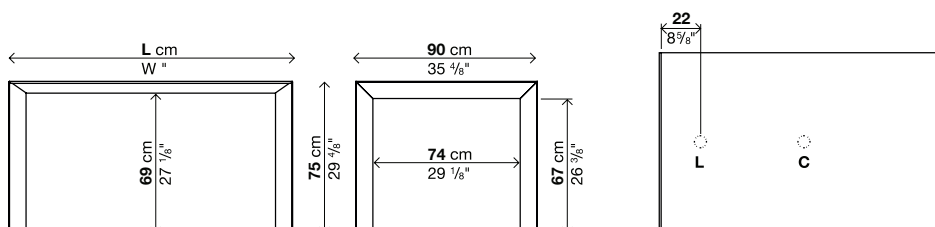
Table L. 269 and 289 cm have an under-top bars as a central support, therefore any cable hole cutouts cannot be centrally positioned in depth but must be slightly shifted.

Reinforced packaging, see inside cover.

Code	Lenght	Legs	Top				pack	m ³	Kg
			Alucompact®	Fenix-NTM® black edge	Pure-white	Fenix-NTM® coloured edge			
01NOR51F	114	Aluminium		-		-	1	0,3	41
		Lacquered		-		-			
01NOR03F	139	Aluminium					1	0,36	46
		Lacquered							
01NOR04F	166	Aluminium					1	0,42	52
		Lacquered							
01NOR53F	189	Aluminium					1	0,46	57
		Lacquered							
01NOR30F	209	Aluminium					1	0,5	62
		Lacquered							
01NOR55F	229 (!)	Aluminium		-		-	1	0,55	66
		Lacquered		-		-			
01NOR57F	249 (!)	Aluminium		-		-	1	0,59	71
		Lacquered		-		-			
01NOR59F	269 (!)	Aluminium		-		-	1	0,63	79
		Lacquered		-		-			
01NOR61F	289 (!)	Aluminium		-		-	1	0,67	85
		Lacquered		-		-			

Optionals

Code	Description	pack	m ³	Kg
02GTA02	Legs height cut to size	-	-	-
02FOR01	Lateral or central cable hole Ø6	-	-	-
02RET02	Plastic cable mesh	1	0,07	1
02VER01	Vertebra, opal white methacrylate	1	0,007	1,5
02CPU02	CPU unit, opal white methacrylate	1	0,14	5,5



NORI ALUCOMPACT® / PURE-WHITE / FENIX-NTM®

Extensible - Depth 100 cm

Leg finish:

- Anodised aluminium
- White lacquered aluminium (similar to RAL 9016)
- "Alucompact® sand grey" lacquered aluminium (similar to RAL 9002)
- "Alucompact® anthracite grey" lacquered aluminium (similar to RAL 7015)
- Black lacquered aluminium (similar to RAL 9004)
- Olive green lacquered aluminium (colour reference "Olive green polyurethane P008")

Finish of top/extensions:

- Alucompact® laminate (white, sand grey, anthracite grey, black)
-
- Pure-white laminate
-
- Fenix-NTM® black edge (white Kos 0032, London grey 0718, Bromo grey 0724, Ingo black 0720)
-
- Fenix-NTM® coloured edge (white Kos 0032, London grey 0718)

Note:

For tables with codes marked with an asterisk (*), a third extension can be added to further increase the length.

Important: sizes and finishes marked with (!) require longer production lead time, about 6 weeks from the date of the order.

Reinforced packaging, see inside cover.

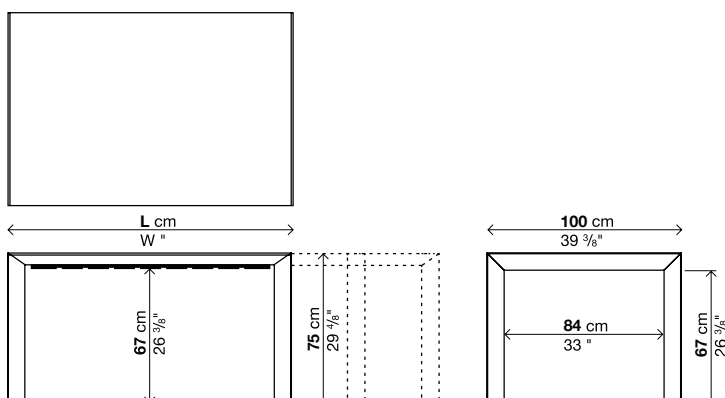
Code	Lenght	Legs	Top				pack	m³	Kg
			Alucompact®	Fenix-NTM® black edge	Pure-white	Fenix-NTM® coloured edge			
01NOR05	166-213-260	Aluminium					3	0,52	85
		Lacquered							
01NOR09*	189-236-283	Aluminium					3	0,57	92
		Lacquered							
01NOR06*	209-256-303	Aluminium					3	0,62	98
		Lacquered							

(*) 3rd additional extension

Code	Lenght	Top				pack	m³	Kg
		Alucompact®	Fenix-NTM® black edge	Pure-white	Fenix-NTM® coloured edge			
50SUS6A	33 cm					1	0,03	6

Optionals

Code	Description	pack	m³	Kg
02GTA02	Legs height cut to size	-	-	-



NORI ALUCOMPACT® / PURE-WHITE / FENIX-NTM®

Fixed - Depth 100 cm

Leg finish:

Anodised aluminium
 White lacquered aluminium (similar to RAL 9016)
 "Alucompact® sand grey" lacquered aluminium (similar to RAL 9002)
 "Alucompact® anthracite grey" lacquered aluminium (similar to RAL 7015)
 Black lacquered aluminium (similar to RAL 9004)
 Olive green lacquered aluminium (colour reference "Olive green polyurethane P008")

Finish of top:

Alucompact® laminate (white, sand grey, anthracite grey, black)

 Pure-white laminate

 Fenix-NTM® black edge (white Kos 0032, London grey 0718, Bromo grey 0724, Ingo black 0720)

 Fenix-NTM® coloured edge (white Kos 0032, London grey 0718)

Note:

Important: sizes and finishes marked with (!) require longer production lead time, about 6 weeks from the date of the order.

Tables that extend to more than 250 cm have a top that slightly bends, which complies with accepted quality standards.

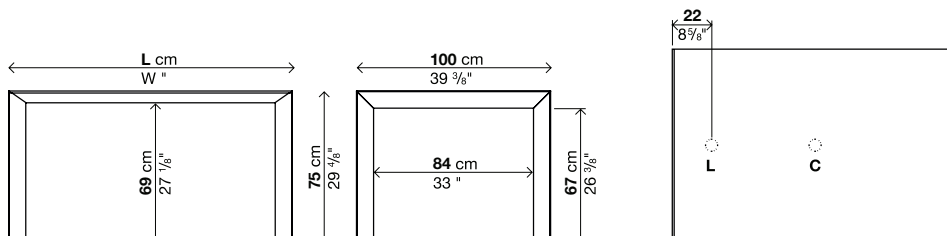
Table L. 269 and 289 cm have an under-top bars as a central support, therefore any cable hole cutouts cannot be centrally positioned in depth but must be slightly shifted.

Reinforced packaging, see inside cover.

Code	Lenght	Legs	Top				pack	m²	Kg
			Alucompact®	Fenix-NTM® black edge	Pure-white	Fenix-NTM® coloured edge			
01NOR65F	139	Aluminium		-		-	1	0,39	50
		Lacquered		-		-			
01NOR05F	166	Aluminium					1	0,45	56
		Lacquered							
01NOR07F	189	Aluminium					1	0,5	62
		Lacquered							
01NOR06F	209	Aluminium					1	0,55	67
		Lacquered							
01NOR08F	229 (!)	Aluminium		-		-	1	0,6	72
		Lacquered		-		-			
01NOR67F	249 (!)	Aluminium		-		-	1	0,65	77
		Lacquered		-		-			
01NOR69F	269 (!)	Aluminium		-		-	1	0,69	85
		Lacquered		-		-			
01NOR32F	289 (!)	Aluminium		-		-	1	0,74	90
		Lacquered		-		-			

Optionals

Code	Description	pack	m²	Kg
02GTA02	Legs height cut to size	-	-	-
02FOR01	Lateral or central cable hole Ø6	-	-	-
02RET03	Plastic cable mesh	1	0,07	1
02VER01	Vertebra, opal white methacrylate	1	0,007	1,5
02CPU03	CPU unit, opal white methacrylate	1	0,14	5,5



NORI ALUCOMPACT® / PURE-WHITE

Fixed - Depth 124 cm

Leg finish:

- Anodised aluminium
- White lacquered aluminium (similar to RAL 9016)
- "Alucompact® sand grey" lacquered aluminium (similar to RAL 9002)
- "Alucompact® anthracite grey" lacquered aluminium (similar to RAL 7015)
- Black lacquered aluminium (similar to RAL 9004)
- Olive green lacquered aluminium (colour reference "Olive green polyurethane P008")

Finish of top:

- Alucompact® laminate (white, sand grey, anthracite grey, black)
-
- Pure-white laminate

Note:

Important: sizes and finishes marked with (!) require longer production lead time, about 6 weeks from the date of the order.

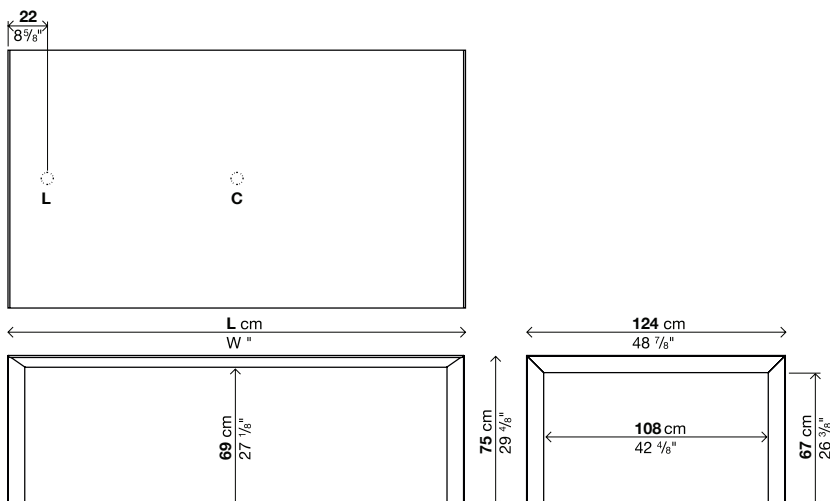
Tables that extend to more than 250 cm have a top that slightly bends, which complies with accepted quality standards.

Reinforced packaging, see inside cover.

Code	Lenght	Legs	Top		pack	m³	Kg
			Alucompact®	Pure-white			
01NOR71F	209 (!)	Aluminium			1	0,66	86
		Lacquered					
01NOR73F	229 (!)	Aluminium			1	0,72	92
		Lacquered					
01NOR75F	277 (!)	Aluminium			1	0,85	108
		Lacquered					

Optionals

Code	Description	pack	m³	Kg
02GTA02	Legs height cut to size	-	-	-
02FOR01	Lateral or central cable hole Ø6	-	-	-
02RET04	Plastic cable mesh	1	0,07	1
02VER01	Vertebra, opal white methacrylate	1	0,007	1,5
02CPU04	CPU unit, opal white methacrylate	1	0,14	5,5



NORI DEKTON® BY COSENTINO

Extensible - Depth 90 cm

Leg finish:

Anodised aluminium
 White lacquered aluminium (similar to RAL 9016)
 "Ventus grey" lacquered aluminium
 Olive green lacquered aluminium (colour reference "Olive green polyurethane P008")

Finish of top:

DEKTON® Zenith white
 DEKTON® Ventus grey
 DEKTON® Aura (digital marble)

Finish of extensions:

White lacquered aluminium (similar to RAL 9016)
 "Ventus grey" lacquered aluminium

Note:

Important: the grain pattern reproduced on the surface of DEKTON® Aura (digital marble) tops is random, a special feature that makes each top unique and original. This characteristic implies possible differences to samples that are not to be considered imperfections or irregularities. Due to their random nature, uniform grain patterns cannot be requested.

Important: sizes and finishes marked with (!) require longer production lead time, about 6 weeks from the date of the order.

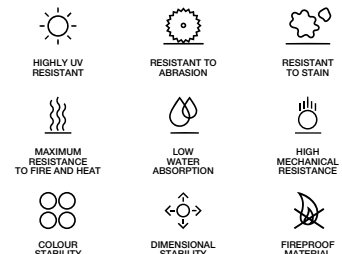
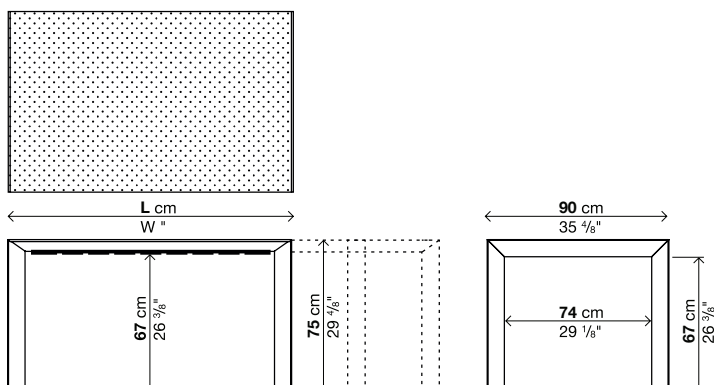
Tables that extend to more than 250 cm have a top that slightly bends, which complies with accepted quality standards.

Reinforced packaging, see inside cover.

Code	Lenght	Legs	Top	pack	m²	Kg
			DEKTON®			
01NOR03	139-176-214	Aluminium		3	0,41	89
		Lacquered				
01NOR04	166-203-241	Aluminium		3	0,5	102
		Lacquered				
01NOR08	189-226-263	Aluminium		3	0,51	105
		Lacquered				

Optionals

Code	Description	pack	m²	Kg
02GTA02	Legs height cut to size	-	-	-



NORI DEKTON® BY COSENTINO

Fixed - Depth 90 cm

Leg finish:

- Anodised aluminium
- White lacquered aluminium (similar to RAL 9016)
- "Ventus grey" lacquered aluminium
- Olive green lacquered aluminium (colour reference "Olive green polyurethane P008")

Finish of top:

- DEKTON® Zenith white
- DEKTON® Ventus grey
- DEKTON® Aura (digital marble)

Note:

Important: the grain pattern reproduced on the surface of DEKTON® Aura (digital marble) tops is random, a special feature that makes each top unique and original. This characteristic implies possible differences to samples that are not to be considered imperfections or irregularities. Due to their random nature, uniform grain patterns cannot be requested.

Important: sizes and finishes marked with (!) require longer production lead time, about 6 weeks from the date of the order.

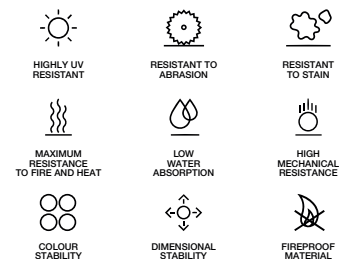
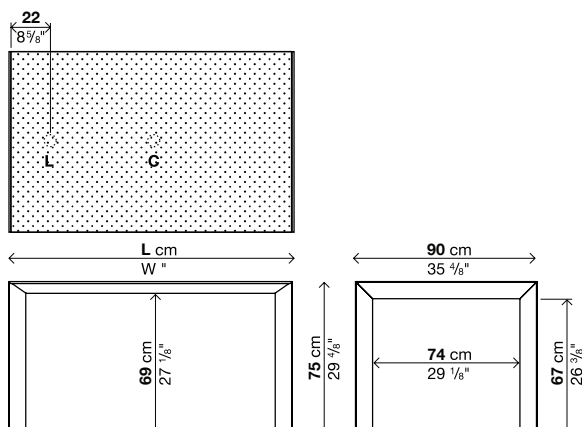
Tables that extend to more than 250 cm have a top that slightly bends, which complies with accepted quality standards.

Reinforced packaging, see inside cover.

Code	Lenght	Legs	Top	pack	m ²	Kg
			DEKTON®			
01NOR03F	139 (!)	Aluminium		1	0,36	60
		Lacquered				
01NOR04F	166 (!)	Aluminium		1	0,42	69
		Lacquered				
01NOR53F	189 (!)	Aluminium		1	0,46	76
		Lacquered				

Optionals

Code	Description	pack	m ²	Kg
02GTA02	Legs height cut to size	-	-	-
02RET02	Plastic cable mesh	1	0,07	1
02VER01	Vertebra, opal white methacrylate	1	0,007	1,5
02CPU02	CPU unit, opal white methacrylate	1	0,14	5,5



NORI DEKTON® BY COSENTINO

Extensible - Depth 100 cm

Leg finish:

Anodised aluminium
 White lacquered aluminium (similar to RAL 9016)
 "Ventus grey" lacquered aluminium
 Olive green lacquered aluminium (colour reference "Olive green polyurethane P008")

Finish of top:

DEKTON® Zenith white
 DEKTON® Ventus grey
 DEKTON® Aura (digital marble)

Finish of extensions:

White lacquered aluminium (similar to RAL 9016)
 "Ventus grey" lacquered aluminium

Note:

Important: the grain pattern reproduced on the surface of DEKTON® Aura (digital marble) tops is random, a special feature that makes each top unique and original. This characteristic implies possible differences to samples that are not to be considered imperfections or irregularities. Due to their random nature, uniform grain patterns cannot be requested.

Important: sizes and finishes marked with (!) require longer production lead time, about 6 weeks from the date of the order.

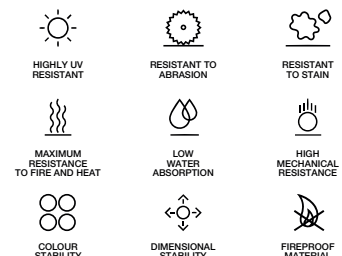
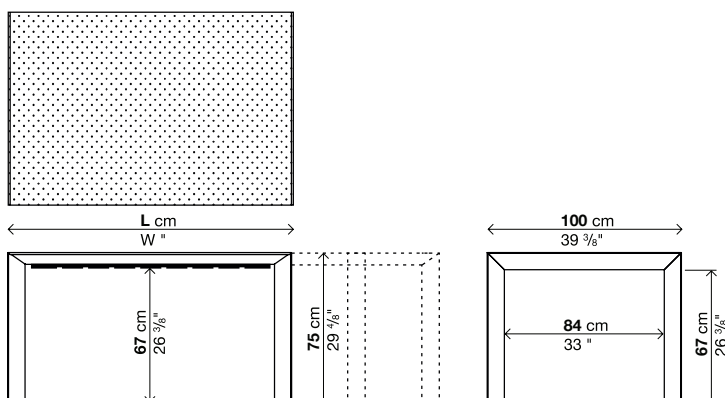
Tables that extend to more than 250 cm have a top that slightly bends, which complies with accepted quality standards.

Reinforced packaging, see inside cover.

Code	Lenght	Legs	Top	pack	m ²	Kg
			DEKTON®			
01NOR05	166-203-240 (!)	Aluminium		3	0,52	108
		Lacquered				
01NOR09	189-226-263 (!)	Aluminium		3	0,57	118
		Lacquered				

Optionals

Code	Description	pack	m ²	Kg
02GTA02	Legs height cut to size	-	-	-



NORI DEKTON® BY COSENTINO

Fixed - Depth 100 cm

Leg finish:

- Anodised aluminium
- White lacquered aluminium (similar to RAL 9016)
- "Ventus grey" lacquered aluminium
- Olive green lacquered aluminium (colour reference "Olive green polyurethane P008")

Finish of top:

- DEKTON® Zenith white
- DEKTON® Ventus grey
- DEKTON® Aura (digital marble)

Note:

Important: the grain pattern reproduced on the surface of DEKTON® Aura (digital marble) tops is random, a special feature that makes each top unique and original. This characteristic implies possible differences to samples that are not to be considered imperfections or irregularities. Due to their random nature, uniform grain patterns cannot be requested.

Important: sizes and finishes marked with (!) require longer production lead time, about 6 weeks from the date of the order.

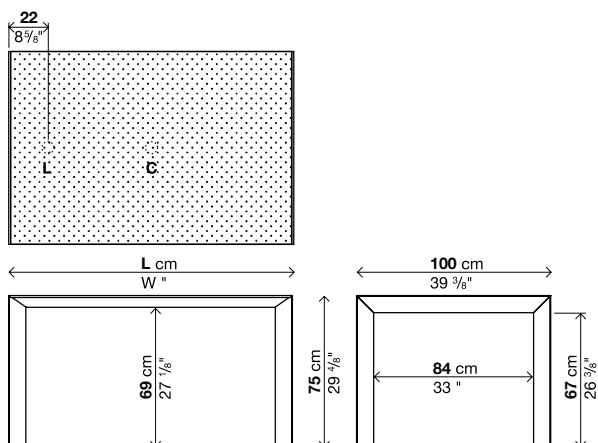
Tables that extend to more than 250 cm have a top that slightly bends, which complies with accepted quality standards.

Reinforced packaging, see inside cover.

Code	Lenght	Legs	Top	pack	m ³	Kg
			DEKTON®			
01NOR05F	166 (!)	Aluminium		1	0,45	74
		Lacquered				
01NOR07F	189 (!)	Aluminium		1	0,5	83
		Lacquered				
01NOR08F	229 (!)	Aluminium		1	0,6	97
		Lacquered				
01NOR69F	269 (!)	Aluminium		1	0,69	115
		Lacquered				

Optionals

Code	Description	pack	m ³	Kg
02GTA02	Legs height cut to size	-	-	-
02RET03	Plastic cable mesh	1	0,07	1
02VER01	Vertebra, opal white methacrylate	1	0,007	1,5
02CPU03	CPU unit, opal white methacrylate	1	0,14	5,5



HIGHLY UV RESISTANT



RESISTANT TO ABRASION



RESISTANT TO STAIN



MAXIMUM RESISTANCE TO FIRE AND HEAT



LOW WATER ABSORPTION



HIGH MECHANICAL RESISTANCE



COLOUR STABILITY



DIMENSIONAL STABILITY



FIREPROOF MATERIAL

NORI WOOD

Extensible - Depth 90 cm

Base finish:

- Anodised aluminium
- White lacquered aluminium (similar to Ral 9016)
- "Alucompact® sand grey" lacquered aluminium (similar to Ral 9002)
- "Alucompact® anthracite grey" lacquered aluminium (similar to Ral 7015)
- "Fenix-NTM® London grey" lacquered aluminium (similar to Ral Design0805005)
- Black lacquered aluminium (similar to Ral 9004)
- Olive green lacquered aluminium (colour reference "Olive green polyurethane P008")

Finish of top/extensions:

- Wood, european oak effect
- Wood, walnut effect
- Wood, black oak effect

Note:

Important: sizes and finishes marked with (!) require longer production lead time, about 6 weeks from the date of the order.

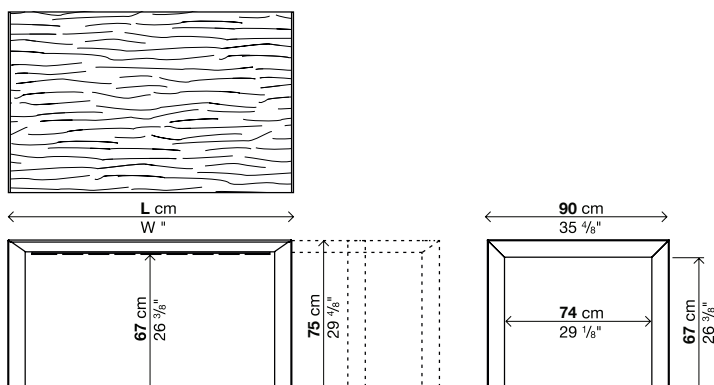
Tables that extend to more than 250 cm have a top that slightly bends, which complies with accepted quality standards.

Reinforced packaging, see inside cover.

Code	Lenght	Legs	Top	pack	m³	Kg
			Wood			
01NOR04	166-201-236-271 with three extensions	Aluminium Lacquered		4	0,5	81
01NOR08	189-224-259-294 with three extensions	Aluminium Lacquered		4	0,53	88,5
01NOR30	209-253-297 (!) with two extensions	Aluminium Lacquered		3	0,55	88

Optionals

Code	Description	pack	m³	Kg
02GTA02	Legs height cut to size	-	-	-



NORI WOOD

Fixed - Depth 90 cm

Base finish:

Anodised aluminium
 White lacquered aluminium (similar to Ral 9016)
 "Alucompact® sand grey" lacquered aluminium (similar to Ral 9002)
 "Alucompact® anthracite grey" lacquered aluminium (similar to Ral 7015)
 "Fenix-NTM® London grey" lacquered aluminium (similar to Ral Design0805005)
 Black lacquered aluminium (similar to Ral 9004)
 Olive green lacquered aluminium (colour reference "Olive green polyurethane P008")

Finish of top:

Wood, european oak effect
 Wood, walnut effect
 Wood, black oak effect

Note:

Important: sizes and finishes marked with (!) require longer production lead time, about 6 weeks from the date of the order.

Tables that extend to more than 250 cm have a top that slightly bends, which complies with accepted quality standards.

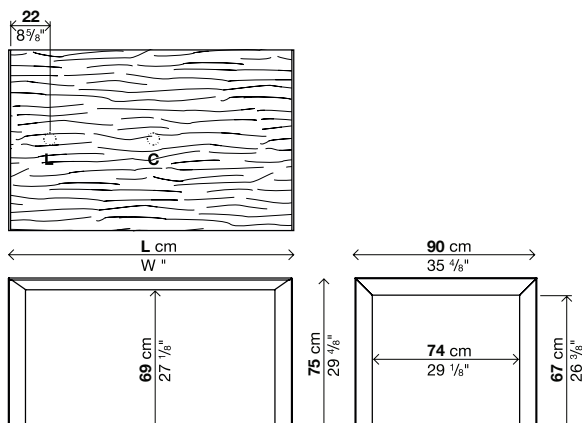
Table L. 269 and 289 cm have an under-top bars as a central support, therefore any cable hole cutouts cannot be centrally positioned in depth but must be slightly shifted.

Reinforced packaging, see inside cover.

Code	Lenght	Legs	Top	pack	m ³	Kg
			Wood			
01NOR53F	189	Aluminium		1	0,46	57
		Lacquered				
01NOR30F	209 (!)	Aluminium		1	0,5	62
		Lacquered				
01NOR55F	229 (!)	Aluminium		1	0,55	66
		Lacquered				
01NOR57F	249 (!)	Aluminium		1	0,59	71
		Lacquered				
01NOR59F	269 (!)	Aluminium		1	0,63	79
		Lacquered				
01NOR61F	289 (!)	Aluminium		1	0,67	85
		Lacquered				

Optionals

Code	Description	pack	m ³	Kg
02GTA02	Legs height cut to size	-	-	-
02FOR01	Lateral or central cable hole Ø6	-	-	-
02RET02	Plastic cable mesh	1	0,07	1
02VER01	Vertebra, opal white methacrylate	1	0,007	1,5
02CPU02	CPU unit, opal white methacrylate	1	0,14	5,5



NORI WOOD

Extensible - Depth 100 cm

Base finish:

- Anodised aluminium
- White lacquered aluminium (similar to Ral 9016)
- "Alucompact® sand grey" lacquered aluminium (similar to Ral 9002)
- "Alucompact® anthracite grey" lacquered aluminium (similar to Ral 7015)
- "Fenix-NTM® London grey" lacquered aluminium (similar to Ral Design0805005)
- Black lacquered aluminium (similar to Ral 9004)
- Olive green lacquered aluminium (colour reference "Olive green polyurethane P008")

Finish of top/extensions:

- Wood, european oak effect
- Wood, walnut effect
- Wood, black oak effect

Note:

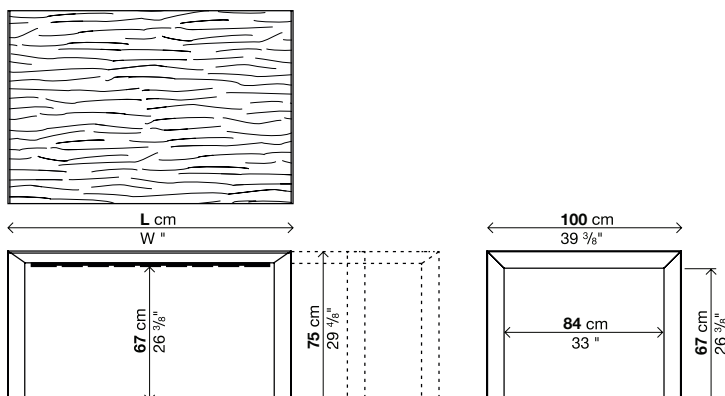
Tables that extend to more than 250 cm have a top that slightly bends, which complies with accepted quality standards.

Reinforced packaging, see inside cover.

Code	Lenght	Legs	Top	pack	m ³	Kg
			Wood			
01NOR05	166-201-236-271 with three extensions	Aluminium		4	0,55	91
		Lacquered				
01NOR09	189-224-259-294 with three extensions	Aluminium		4	0,6	98
		Lacquered				
01NOR06	209-253-297 with two extensions	Aluminium		3	0,62	98
		Lacquered				

Optionals

Code	Description	pack	m ³	Kg
02GTA02	Legs height cut to size	-	-	-



NORI WOOD

Fixed - Depth 100 cm

Base finish:

Anodised aluminium
 White lacquered aluminium (similar to Ral 9016)
 "Alucompact® sand grey" lacquered aluminium (similar to Ral 9002)
 "Alucompact® anthracite grey" lacquered aluminium (similar to Ral 7015)
 "Fenix-NTM® London grey" lacquered aluminium (similar to Ral Design0805005)
 Black lacquered aluminium (similar to Ral 9004)
 Olive green lacquered aluminium (colour reference "Olive green polyurethane P008")

Finish of top:

Wood, european oak effect
 Wood, walnut effect
 Wood, black oak effect

Note:

Important: sizes and finishes marked with (!) require longer production lead time, about 6 weeks from the date of the order.

Tables that extend to more than 250 cm have a top that slightly bends, which complies with accepted quality standards.

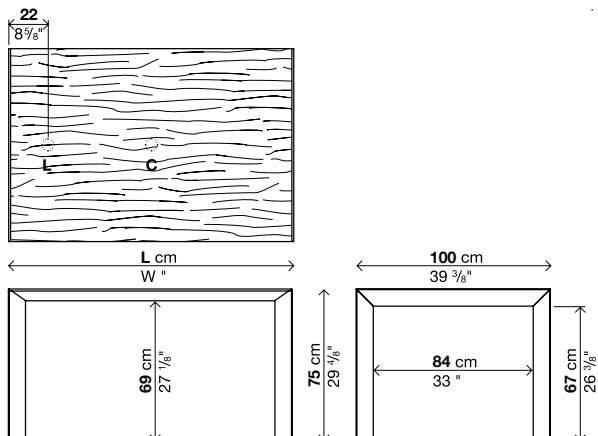
Table L. 269 and 289 cm have an under-top bars as a central support, therefore any cable hole cutouts cannot be centrally positioned in depth but must be slightly shifted.

Reinforced packaging, see inside cover.

Code	Lenght	Legs	Top	pack	m³	Kg
			Wood			
01NOR07F	189	Aluminium		1	0,5	62
		Lacquered				
01NOR06F	209	Aluminium		1	0,55	67
		Lacquered				
01NOR08F	229 (!)	Aluminium		1	0,6	72
		Lacquered				
01NOR67F	249 (!)	Aluminium		1	0,65	77
		Lacquered				
01NOR69F	269 (!)	Aluminium		1	0,69	85
		Lacquered				
01NOR32F	289 (!)	Aluminium		1	0,74	90
		Lacquered				

Optionals

Code	Description	pack	m³	Kg
02GTA02	Legs height cut to size	-	-	-
02FOR01	Lateral or central cable hole Ø6	-	-	-
02RET02	Plastic cable mesh	1	0,07	1
02VER01	Vertebra, opal white methacrylate	1	0,007	1,5
02CPU03	CPU unit, opal white methacrylate	1	0,14	5,5



NORI GLASS

Extensible - Depth 80 cm

Leg finish:

Anodised aluminium

White lacquered aluminium (similar to RAL 9016)

Black lacquered aluminium (similar to RAL 9004)

Finish of top:

Gloss glass in colours: extra white, anthracite grey, black, titanium

Matt glass in colours: extra white, anthracite grey, black, titanium

Finish of extensions:

White Alucompact® laminate

Sand grey Alucompact® laminate

Anthracite grey Alucompact® laminate

Black Alucompact® laminate

Note:

For tables with codes marked with an asterisk (*), a third extension can be added to further increase the length.

Important: sizes and finishes marked with (!) require longer production lead time, about 6 weeks from the date of the order.

Tables that extend to more than 250 cm have a top that slightly bends, which complies with accepted quality standards.

Reinforced packaging, see inside cover.

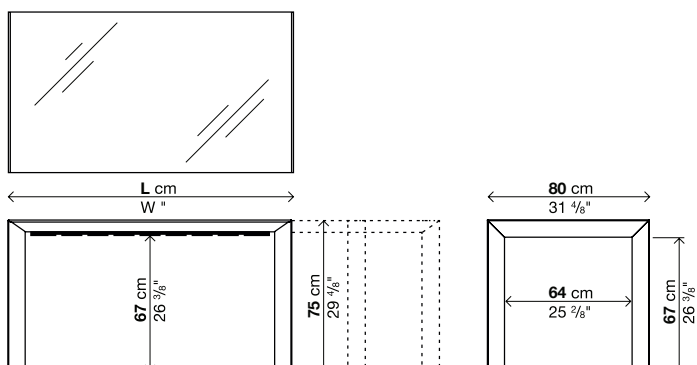
Code	Lenght	Legs	Top		pack	m ²	Kg
			Gloss glass	Matt glass			
01NOR11	114-154-194	Aluminium			3	0,32	64
		Lacquered					
01NOR12	139-179-219	Aluminium			3	0,37	72
		Lacquered					
01NOR16*	166-206-246	Aluminium			3	0,42	79
		Lacquered					

(*) 3rd additional extension

Code	Lenght	Top	pack	m ²	Kg
		Alucompact®			
50SUS5A	33 cm		1	0,03	6

Optionals

Code	Description	pack	m ²	Kg
02GTA02	Legs height cut to size	-	-	-



NORI GLASS

Fixed - Depth 80 cm

Leg finish:

Anodised aluminium

White lacquered aluminium (similar to RAL 9016)

Black lacquered aluminium (similar to RAL 9004)

Finish of top:

Gloss glass in colours: extra white, anthracite grey, black, titanium

Matt glass in colours: extra white, anthracite grey, black, titanium

Note:

Important: sizes and finishes marked with (!) require longer production lead time, about 6 weeks from the date of the order.

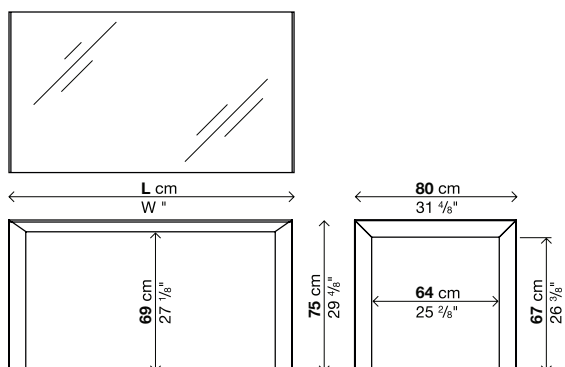
Tables that extend to more than 250 cm have a top that slightly bends, which complies with accepted quality standards.

Reinforced packaging, see inside cover.

Code	Lenght	Legs	Top		pack	m ³	Kg
			Gloss glass	Matt glass			
01NOR11F	114	Aluminium			1	0,27	44
		Lacquered					
01NOR12F	139	Aluminium			1	0,32	52
		Lacquered					
01NOR29F	166	Aluminium			1	0,37	58
		Lacquered					
01NOR34F	189	Aluminium			1	0,41	66
		Lacquered					
01NOR36F	209	Aluminium			1	0,45	72
		Lacquered					
01NOR38F	229 (!)	Aluminium			1	0,49	77
		Lacquered					
01NOR44F	249 (!)	Aluminium			1	0,53	83
		Lacquered					
01NOR46F	269 (!)	Aluminium			1	0,57	88
		Lacquered					
01NOR48F	289 (!)	Aluminium			1	0,61	94
		Lacquered					

Optionals

Code	Description	pack	m ³	Kg
02GTA02	Legs height cut to size	-	-	-
02RET01	Plastic cable mesh	1	0,07	1
02VER01	Vertebra, opal white methacrylate	1	0,007	1,5
02CPU01	CPU unit, opal white methacrylate	1	0,14	5,5



NORI GLASS

Extensible - Depth 90 cm

Leg finish:

Anodised aluminium

White lacquered aluminium (similar to RAL 9016)

Black lacquered aluminium (similar to RAL 9004)

Finish of top:

Gloss glass in colours: extra white, anthracite grey, black, titanium

Matt glass in colours: extra white, anthracite grey, black, titanium

Finish of extensions:

White Alucompact® laminate

Sand grey Alucompact® laminate

Anthracite grey Alucompact® laminate

Black Alucompact® laminate

Note:

For tables with codes marked with an asterisk (*), a third extension can be added to further increase the length.

Important: sizes and finishes marked with (!) require longer production lead time, about 6 weeks from the date of the order.

Tables that extend to more than 250 cm have a top that slightly bends, which complies with accepted quality standards.

Reinforced packaging, see inside cover.

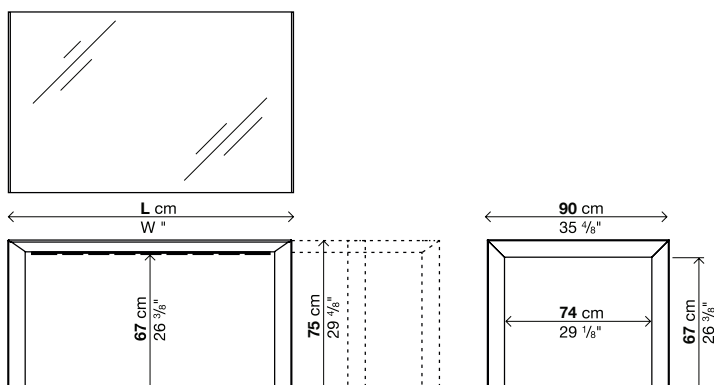
Code	Lenght	Legs	Top		pack	m ²	Kg
			Gloss glass	Matt glass			
01NOR13	139-176-214	Aluminium			3	0,41	81
		Lacquered					
01NOR14	166-203-241-278 3 rd standard extension	Aluminium			4	0,5	96
		Lacquered					
01NOR18*	189-226-263	Aluminium			3	0,51	98
		Lacquered					
01NOR40*	209-246-283	Aluminium			3	0,55	105
		Lacquered					

(*) 3rd additional extension

Code	Lenght	Top		pack	m ²	Kg
		Alucompact®				
50SUS2A	37,5 cm			1	0,03	6,5

Optionals

Code	Description	pack	m ²	Kg
02GTA02	Legs height cut to size	-	-	-



NORI GLASS

Fixed - Depth 90 cm

Leg finish:

Anodised aluminium

White lacquered aluminium (similar to RAL 9016)

Black lacquered aluminium (similar to RAL 9004)

Finish of top:

Gloss glass in colours: extra white, anthracite grey, black, titanium

Matt glass in colours: extra white, anthracite grey, black, titanium

Note:

Important: sizes and finishes marked with (!) require longer production lead time, about 6 weeks from the date of the order.

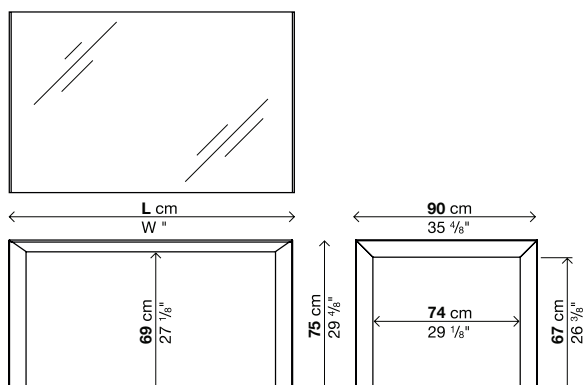
Tables that extend to more than 250 cm have a top that slightly bends, which complies with accepted quality standards.

Reinforced packaging, see inside cover.

Code	Lenght	Legs	Top		pack	m ³	Kg
			Gloss glass	Matt glass			
01NOR52F	114	Aluminium			1	0,3	51
		Lacquered					
01NOR13F	139	Aluminium			1	0,36	58
		Lacquered					
01NOR14F	166	Aluminium			1	0,42	67
		Lacquered					
01NOR54F	189	Aluminium			1	0,46	74
		Lacquered					
01NOR40F	209	Aluminium			1	0,5	80
		Lacquered					
01NOR56F	229 (!)	Aluminium			1	0,55	86
		Lacquered					
01NOR58F	249 (!)	Aluminium			1	0,59	92
		Lacquered					
01NOR60F	269 (!)	Aluminium			1	0,63	103
		Lacquered					
01NOR62F	289 (!)	Aluminium			1	0,67	109
		Lacquered					

Optionals

Code	Description	pack	m ³	Kg
02GTA02	Legs height cut to size	-	-	-
02RET02	Plastic cable mesh	1	0,07	1
02VER01	Vertebra, opal white methacrylate	1	0,007	1,5
02CPU02	CPU unit, opal white methacrylate	1	0,14	5,5



NORI GLASS

Extensible - Depth 100 cm

Leg finish:

Anodised aluminium
 White lacquered aluminium (similar to RAL 9016)
 Black lacquered aluminium (similar to RAL 9004)

Finish of top:

Gloss glass in colours: extra white, anthracite grey, black, titanium
 Matt glass in colours: extra white, anthracite grey, black, titanium

Finish of extensions:

White Alucompact® laminate
 Sand grey Alucompact® laminate
 Anthracite grey Alucompact® laminate
 Black Alucompact® laminate

Note:

For tables with codes marked with an asterisk (*), a third extension can be added to further increase the length.

Important: sizes and finishes marked with (!) require longer production lead time, about 6 weeks from the date of the order.

Tables that extend to more than 250 cm have a top that slightly bends, which complies with accepted quality standards.

Reinforced packaging, see inside cover.

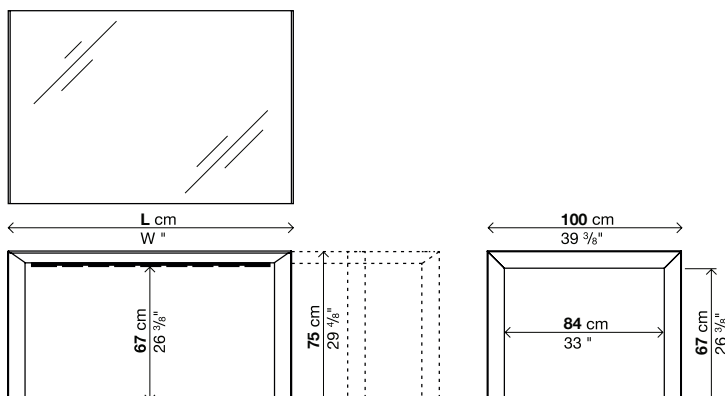
Code	Lenght	Legs	Top		pack	m ²	Kg
			Gloss glass	Matt glass			
01NOR15*	166-213-260	Aluminium			3	0,52	101
		Lacquered					
01NOR19*	189-236-283	Aluminium			3	0,57	108
		Lacquered					
01NOR17*	209-256-303	Aluminium			3	0,62	118
		Lacquered					

(*) 3rd additional extension

Code	Lenght	Top	pack	m ²	Kg
		Alucompact®			
50SUS6A	33 cm		1	0,03	6

Optionals

Code	Description	pack	m ²	Kg
02GTA02	Legs height cut to size	-	-	-



NORI GLASS

Fixed - Depth 100 cm

Leg finish:

Anodised aluminium

White lacquered aluminium (similar to RAL 9016)

Black lacquered aluminium (similar to RAL 9004)

Finish of top:

Gloss glass in colours: extra white, anthracite grey, black, titanium

Matt glass in colours: extra white, anthracite grey, black, titanium

Note:

Important: sizes and finishes marked with (!) require longer production lead time, about 6 weeks from the date of the order.

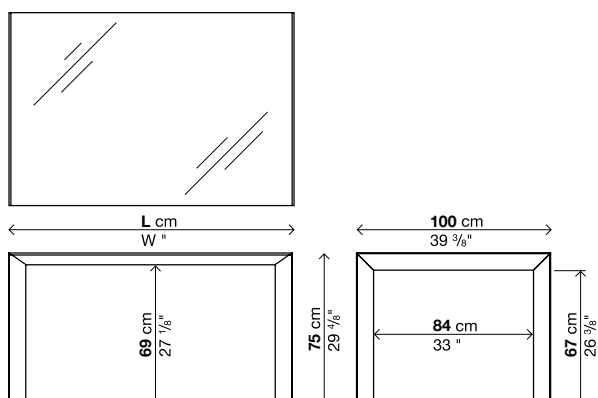
Tables that extend to more than 250 cm have a top that slightly bends, which complies with accepted quality standards.

Reinforced packaging, see inside cover.

Code	Lenght	Legs	Top		pack	m ²	Kg
			Gloss glass	Matt glass			
01NOR66F	139	Aluminium			1	0,39	63
		Lacquered					
01NOR15F	166	Aluminium			1	0,45	72
		Lacquered					
01NOR18F	189	Aluminium			1	0,5	80
		Lacquered					
01NOR17F	209	Aluminium			1	0,55	87
		Lacquered					
01NOR19F	229 (!)	Aluminium			1	0,6	93
		Lacquered					
01NOR68F	249 (!)	Aluminium			1	0,65	100
		Lacquered					
01NOR70F	269 (!)	Aluminium			1	0,69	110
		Lacquered					
01NOR42F	289 (!)	Aluminium			1	0,74	118
		Lacquered					

Optionals

Code	Description	pack	m ²	Kg
02GTA02	Legs height cut to size	-	-	-
02RET03	Plastic cable mesh	1	0,07	1
02VER01	Vertebra, opal white methacrylate	1	0,007	1,5
02CPU03	CPU unit, opal white methacrylate	1	0,14	5,5



NORI GLASS

Fixed - Depth 124 cm

Leg finish:

Anodised aluminium

White lacquered aluminium (similar to RAL 9016)

Black lacquered aluminium (similar to RAL 9004)

Finish of top:

Gloss glass in colours: extra white, anthracite grey, black, titanium

Matt glass in colours: extra white, anthracite grey, black, titanium

Note:

Important: sizes and finishes marked with (!) require longer production lead time, about 6 weeks from the date of the order.

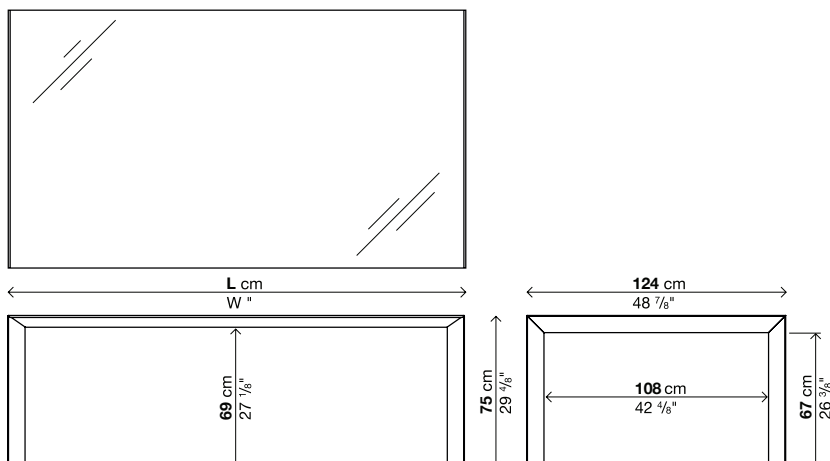
Tables that extend to more than 250 cm have a top that slightly bends, which complies with accepted quality standards.

Reinforced packaging, see inside cover.

Code	Lenght	Legs	Top		pack	m ²	Kg
			Gloss glass	Matt glass			
01NOR72F	209 (!)	Aluminium			1	0,66	109
		Lacquered					
01NOR74F	229 (!)	Aluminium			1	0,72	118
		Lacquered					
01NOR76F	277 (!)	Aluminium			1	0,85	140
		Lacquered					

Optionals

Code	Description	pack	m ²	Kg
02GTA02	Legs height cut to size	-	-	-
02RET04	Plastic cable mesh	1	0,07	1
02VER01	Vertebra, opal white methacrylate	1	0,007	1,5
02CPU04	CPU unit, opal white methacrylate	1	0,14	5,5



Legenda dimensioni

Prof. 80 cm Depth 314/8"

80	114 cm 447/8"	→ Alucompact® → Pure-white → Vetro
	114/154/194 cm 447/8/605/8/763/8"	→ Alucompact® → Pure-white → Vetro
	139 cm 546/8"	→ Alucompact® → Pure-white → Vetro
	139/179/219 cm 546/8/704/8/862/8"	→ Alucompact® → Pure-white → Vetro
	166 cm 653/8"	→ Alucompact® → Pure-white → Vetro
	166/206/246 cm 653/8/811/8/967/8"	→ Alucompact® → Pure-white → Vetro *
	189 cm 743/8"	→ Alucompact® → Pure-white → Vetro
	209 cm 822/8"	→ Alucompact® → Pure-white → Vetro
	229 cm 901/8"	→ Alucompact® → Pure-white → Vetro
	249 cm 98"	→ Alucompact® → Pure-white → Vetro
	269 cm 1057/8"	→ Alucompact® → Pure-white → Vetro
	289 cm 1136/8"	→ Alucompact® → Pure-white → Vetro

Prof. 90 cm Depth 353/8"

90	114 cm 447/8"	→ Alucompact® → Pure-white → Vetro
	139 cm 546/8"	→ Alucompact® → Pure-white → Fenix-NTM® → Vetro → DEKTON®
	139/176/214 cm 546/8/692/8/842/8"	→ Alucompact® → Pure-white → Fenix-NTM® → Vetro → DEKTON®
	166 cm 653/8"	→ Alucompact® → Pure-white → Fenix-NTM® → Vetro → DEKTON®
	166/203/241/278 cm 653/8/797/8/947/8/1094/8"	→ Alucompact® → Pure-white → Fenix-NTM® → Vetro
	166/203/241 cm 653/8/797/8/947/8"	→ DEKTON®
	166/201/236/271 cm 653/8/791/8/927/8/1066/8"	→ Legno
	189 cm 743/8"	→ Alucompact® → Pure-white → Fenix-NTM® → Vetro → DEKTON® → Legno
	189/226/263 cm 743/8/89/1034/8"	→ Alucompact® → Pure-white → Fenix-NTM® → Vetro *
	189/226/263 cm 743/8/89/1034/8"	→ DEKTON®
	189/224/259/294 cm 743/8/882/8/102/1156/8"	→ Legno
	209 cm 822/8"	→ Alucompact® → Pure-white → Fenix-NTM® → Vetro → Legno
	209/246/283 cm 822/8/967/8/1113/8"	→ Alucompact® → Pure-white → Fenix-NTM® → Vetro *
	209/253/297 cm 822/8/995/8/1167/8"	→ Legno
	229 cm 901/8"	→ Alucompact® → Pure-white → Vetro → Legno
	249 cm 98"	→ Alucompact® → Pure-white → Vetro → Legno
	269 cm 1057/8"	→ Alucompact® → Pure-white → Vetro → Legno
	289 cm 1136/8"	→ Alucompact® → Pure-white → Vetro → Legno

Prof. 100 cm Depth 393/8"

100	139 cm 546/8"	→ Alucompact® → Pure-white → Vetro
	166 cm 653/8"	→ Alucompact® → Pure-white → Fenix-NTM® → Vetro → DEKTON®
	166/213/260 cm 653/8/837/8/1023/8"	→ Alucompact® → Pure-white → Fenix-NTM® → Vetro *
	166/203/240 cm 653/8/797/8/944/8"	→ DEKTON®
	166/201/236/271 cm 653/8/791/8/927/8/1066/8"	→ Legno
	189 cm 743/8"	→ Alucompact® → Pure-white → Fenix-NTM® → Vetro → DEKTON® → Legno
	189/236/283 cm 743/8/927/8/1113/8"	→ Alucompact® → Pure-white → Fenix-NTM® → Vetro *
	189/226/263 cm 743/8/89/1034/8"	→ DEKTON®
	189/224/259/294 cm 743/8/882/8/102/1156/8"	→ Legno
	209 cm 822/8"	→ Alucompact® → Pure-white → Fenix-NTM® → Vetro → Legno
	209/256/303 cm 822/8/1006/8/1192/8"	→ Alucompact® → Pure-white → Fenix-NTM® → Vetro *
	209/253/297 cm 822/8/995/8/1167/8"	→ Legno
	229 cm 901/8"	→ Alucompact® → Pure-white → Vetro → DEKTON® → Legno
	249 cm 98"	→ Alucompact® → Pure-white → Vetro → Legno
	269 cm 1057/8"	→ Alucompact® → Pure-white → Vetro → DEKTON® → Legno
	289 cm 1136/8"	→ Alucompact® → Pure-white → Vetro → Legno

* = 3° prolunga aggiuntiva (a richiesta)

Piani

Prof. 124 cm
Depth 48 3/8"

124

209 cm
82 2/8"

→ Alucompact®
→ Pure-white
→ Vetro

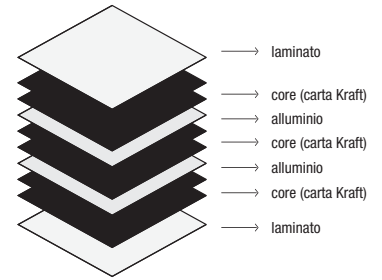
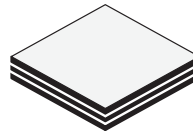
229 cm
90 1/8"

→ Alucompact®
→ Pure-white
→ Vetro

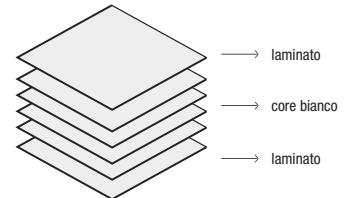
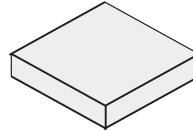
277 cm
109"

→ Alucompact®
→ Pure-white
→ Vetro

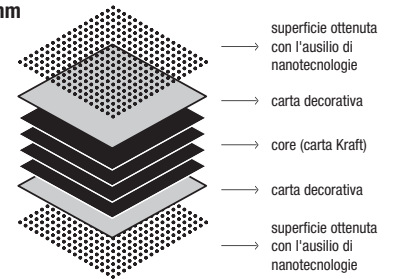
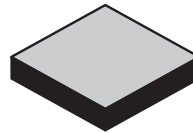
Alucompact® Sp. 10 mm



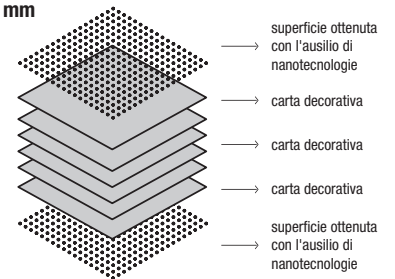
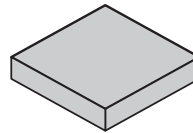
Pure-white Sp. 10 mm



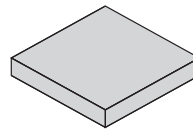
Fenix-NTM® bordo nero Sp. 10 mm



Fenix-NTM® bordo colore Sp. 10 mm

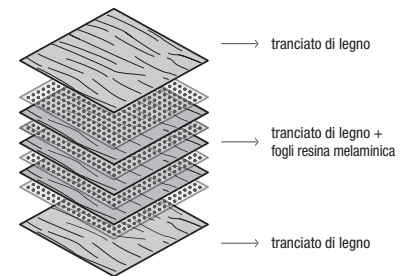
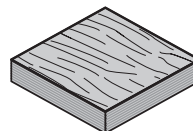


DEKTON® by Cosentino Sp. 8 mm

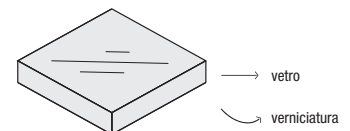
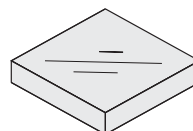


Dekton è una sofisticata miscela di materie prime utilizzate per la creazione di vetro, ceramica di ultima generazione e superfici in quarzo di altissima qualità

Legno Sp. 10 mm



Vetro Sp. 10 mm



NORI ALUcompact® / PURE-WHITE

Allungabile - Profondità 80 cm

Finitura gambe:

Alluminio anodizzato

Alluminio verniciato bianco (simile al RAL 9016)

Alluminio verniciato "Alucompact® grigio sabbia" (simile al RAL 9002)

Alluminio verniciato "Alucompact® grigio antracite" (simile al RAL 7015)

Alluminio verniciato nero (simile al RAL 9004)

Finitura piano/prolunghe:

Laminato Alucompact® (bianco, grigio sabbia, grigio antracite, nero)

Laminato Pure-white bianco

Note:

Nei tavoli con i codici contrassegnati con l'asterisco (*) c'è la possibilità di aggiungere la terza prolunga per aumentare ulteriormente l'allungo.

Attenzione: le misure o le finiture contrassegnate con (!) hanno tempi di produzione più lunghi, circa 6 settimane dalla data dell'ordine.

Imballi rinforzati vedi interno di copertina.

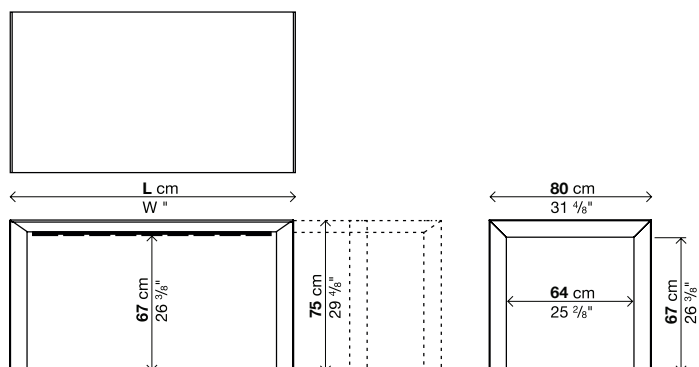
Codice	Lunghezza	Gambe	Piano		colli	m³	Kg
			Alucompact®	Pure-white (!)			
01NOR01	114-154-194	Alluminio			3	0,32	63
		Verniciato					
01NOR02	139-179-219	Alluminio			3	0,37	69
		Verniciato					
01NOR07*	166-206-246	Alluminio			3	0,42	75
		Verniciato					

(*) 3ª prolunga aggiuntiva

Codice	Lunghezza	Piano		colli	m³	Kg
		Alucompact®	Pure-white			
50SUS5A	33 cm			1	0,03	6

Optionals

Codice	Descrizione	colli	m³	Kg
02GTA02	Taglio gambe a misura	-	-	-



NORI ALUCOMPACT® / PURE-WHITE

Fisso - Profondità 80 cm

Finitura gambe:

Alluminio anodizzato
 Alluminio verniciato bianco (simile al RAL 9016)
 Alluminio verniciato "Alucompact® grigio sabbia" (simile al RAL 9002)
 Alluminio verniciato "Alucompact® grigio antracite" (simile al RAL 7015)
 Alluminio verniciato nero (simile al RAL 9004)

Finitura piano:

Laminato Alucompact® (bianco, grigio sabbia, grigio antracite, nero)

Laminato Pure-white bianco

Note:

Attenzione: le misure o le finiture contrassegnate con (!) hanno tempi di produzione più lunghi, circa 6 settimane dalla data dell'ordine.

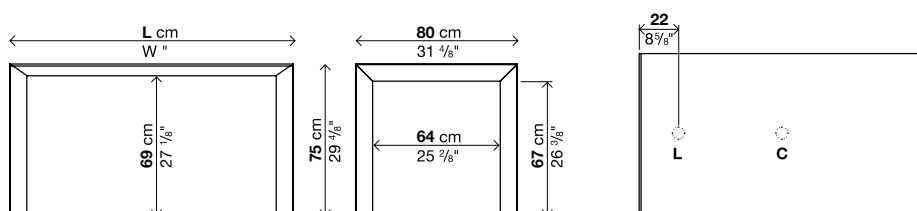
I tavoli che in estensione superano i 250 cm presentano una leggera flessione del piano, che rientra negli standard di qualità accettati.

Imballi rinforzati vedi interno di copertina.

Codice	Lunghezza	Gambe	Piano		colli	m³	Kg
			Alucompact®	Pure-white			
01NOR01F	114	Alluminio			1	0,27	35
		Verniciato					
01NOR02F	139	Alluminio			1	0,32	41
		Verniciato					
01NOR28F	166 (!)	Alluminio			1	0,37	47
		Verniciato					
01NOR33F	189 (!)	Alluminio			1	0,41	52
		Verniciato					
01NOR35F	209 (!)	Alluminio			1	0,45	56
		Verniciato					
01NOR37F	229 (!)	Alluminio			1	0,49	60
		Verniciato					
01NOR43F	249 (!)	Alluminio			1	0,53	65
		Verniciato					
01NOR45F	269 (!)	Alluminio			1	0,57	68
		Verniciato					
01NOR47F	289 (!)	Alluminio			1	0,61	72
		Verniciato					

Optionals

Codice	Descrizione	colli	m³	Kg
02GTA02	Taglio gambe a misura	-	-	-
02FOR01	Foro passacavi laterale o centrale Ø6	-	-	-
02RET01	Rete cablaggio in materiale plastico	1	0,07	1
02VER01	Vertebra metacrilato opalino	1	0,007	1,5
02CPU01	Porta CPU in metacrilato opalino	1	0,14	5,5



NORI ALUcompact® / PURE-WHITE / FENIX-NTM®

Allungabile - Profondità 90 cm

Finitura gambe:

Alluminio anodizzato
 Alluminio verniciato bianco (simile al RAL 9016)
 Alluminio verniciato "Alucompact® grigio sabbia" (simile al RAL 9002)
 Alluminio verniciato "Alucompact® grigio antracite" (simile al RAL 7015)
 Alluminio verniciato nero (simile al RAL 9004)
 Alluminio verniciato verde oliva (riferimento colore "Poliuretano verde oliva P008")

Finitura piano/prolunghe:

Laminato Alucompact® (bianco, grigio sabbia, grigio antracite, nero)

 Laminato Pure-white bianco

 Fenix-NTM® bordo nero (bianco Kos 0032, grigio Londra 0718, grigio Bromo 0724, nero Ingo 0720)

 Fenix-NTM® bordo colore (bianco Kos 0032, grigio Londra 0718)

Note:

Nei tavoli con i codici contrassegnati con l'asterisco (*) c'è la possibilità di aggiungere la terza prolunga per aumentare ulteriormente l'allungo.

Attenzione: le misure o le finiture contrassegnate con (!) hanno tempi di produzione più lunghi, circa 6 settimane dalla data dell'ordine.

Imballi rinforzati vedi interno di copertina.

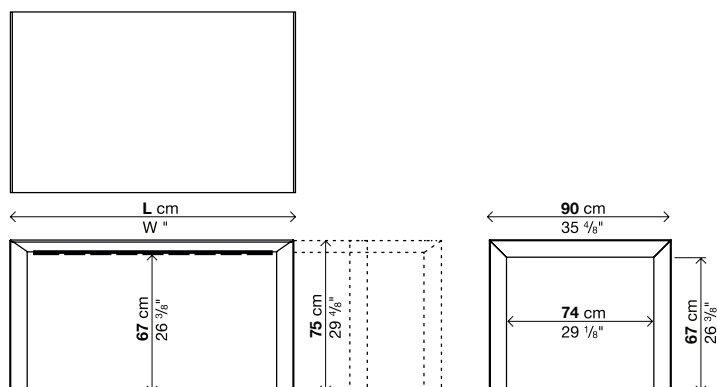
Codice	Lunghezza	Gambe	Piano				colli	m³	Kg
			Alucompact®	Fenix-NTM® bordo nero	Pure-white	Fenix-NTM® bordo colore			
01NOR03	139-176-214	Alluminio					3	0,41	71
		Verniciato							
01NOR04	166-203-241-278 3ª prolunga di serie	Alluminio					4	0,5	81
		Verniciato							
01NOR08*	189-226-263	Alluminio					3	0,51	82
		Verniciato							
01NOR30*	209-246-283	Alluminio					3	0,55	88
		Verniciato							

(*) 3ª prolunga aggiuntiva

Codice	Lunghezza	Piano				colli	m³	Kg
		Alucompact®	Fenix-NTM® bordo nero	Pure-white	Fenix-NTM® bordo colore			
50SUS2A	37,5 cm					1	0,03	6,5

Optionals

Codice	Descrizione	colli	m³	Kg
02GTA02	Taglio gambe a misura	-	-	-



NORI ALUCOMPACT® / PURE-WHITE / FENIX-NTM®

Fisso - Profondità 90 cm

Finitura gambe:

Alluminio anodizzato

Alluminio verniciato bianco (simile al RAL 9016)

Alluminio verniciato "Alucompact® grigio sabbia" (simile al RAL 9002)

Alluminio verniciato "Alucompact® grigio antracite" (simile al RAL 7015)

Alluminio verniciato nero (simile al RAL 9004)

Alluminio verniciato verde oliva (riferimento colore "Poliuretano verde oliva P008")

Finitura piano:

Laminato Alucompact® (bianco, grigio sabbia, grigio antracite, nero)

Laminato Pure-white bianco

Fenix-NTM® bordo nero (bianco Kos 0032, grigio Londra 0718, grigio Bromo 0724, nero Ingo 0720)

Fenix-NTM® bordo colore (bianco Kos 0032, grigio Londra 0718)

Note:

Attenzione: le misure o le finiture contrassegnate con (!) hanno tempi di produzione più lunghi, circa 6 settimane dalla data dell'ordine.

I tavoli che in estensione superano i 250 cm presentano una leggera flessione del piano, che rientra negli standard di qualità accettati.

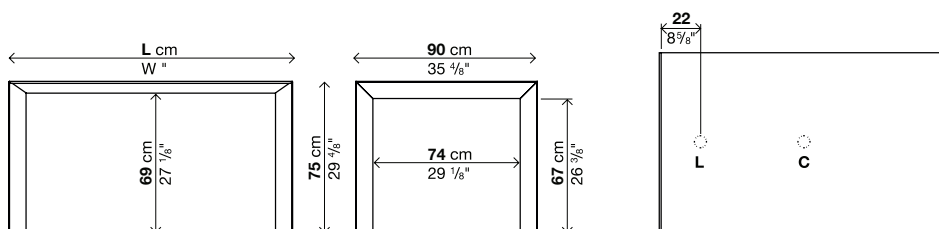
I tavoli di lunghezza 269 e 289 cm presentano una trafilata sottopiano di supporto centrale, pertanto eventuali fori passacavi non potranno essere posizionati centrati nella profondità ma lievemente spostati.

Imballi rinforzati vedi interno di copertina.

Codice	Lunghezza	Gambe	Piano				colli	m ³	Kg
			Alucompact®	Fenix-NTM® bordo nero	Pure-white	Fenix-NTM® bordo colore			
01NOR51F	114	Alluminio		-		-	1	0,3	41
		Verniciato		-		-			
01NOR03F	139	Alluminio					1	0,36	46
		Verniciato							
01NOR04F	166	Alluminio					1	0,42	52
		Verniciato							
01NOR53F	189	Alluminio					1	0,46	57
		Verniciato							
01NOR30F	209	Alluminio					1	0,5	62
		Verniciato							
01NOR55F	229 (!)	Alluminio		-		-	1	0,55	66
		Verniciato		-		-			
01NOR57F	249 (!)	Alluminio		-		-	1	0,59	71
		Verniciato		-		-			
01NOR59F	269 (!)	Alluminio		-		-	1	0,63	79
		Verniciato		-		-			
01NOR61F	289 (!)	Alluminio		-		-	1	0,67	85
		Verniciato		-		-			

Optionals

Codice	Descrizione	colli	m ³	Kg
02GTA02	Taglio gambe a misura	-	-	-
02FOR01	Foro passacavi laterale o centrale Ø6	-	-	-
02RET02	Rete cablaggio in materiale plastico	1	0,07	1
02VER01	Vertebra metacrilato opalino	1	0,007	1,5
02CPU02	Porta CPU in metacrilato opalino	1	0,14	5,5



NORI ALUcompact® / PURE-WHITE / FENIX-NTM®

Allungabile - Profondità 100 cm

Finitura gambe:

Alluminio anodizzato
 Alluminio verniciato bianco (simile al RAL 9016)
 Alluminio verniciato "Alucompact® grigio sabbia" (simile al RAL 9002)
 Alluminio verniciato "Alucompact® grigio antracite" (simile al RAL 7015)
 Alluminio verniciato nero (simile al RAL 9004)
 Alluminio verniciato verde oliva (riferimento colore "Poliuretano verde oliva P008")

Finitura piano/prolunghe:

Laminato Alucompact® (bianco, grigio sabbia, grigio antracite, nero)

 Laminato Pure-white bianco

 Fenix-NTM® bordo nero (bianco Kos 0032, grigio Londra 0718, grigio Bromo 0724, nero Ingo 0720)

 Fenix-NTM® bordo colore (bianco Kos 0032, grigio Londra 0718)

Note:

Nei tavoli con i codici contrassegnati con l'asterisco (*) c'è la possibilità di aggiungere la terza prolunga per aumentare ulteriormente l'allungo.

Attenzione: le misure o le finiture contrassegnate con (!) hanno tempi di produzione più lunghi, circa 6 settimane dalla data dell'ordine.

Imballi rinforzati vedi interno di copertina.

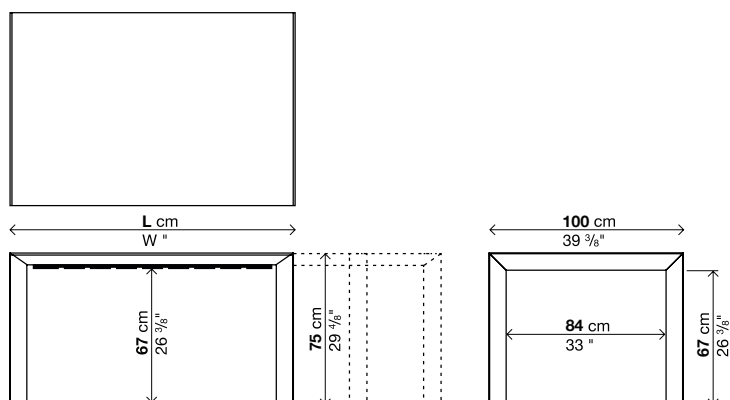
Codice	Lunghezza	Gambe	Piano				colli	m ³	Kg
			Alucompact®	Fenix-NTM® bordo nero	Pure-white	Fenix-NTM® bordo colore			
01NOR05	166-213-260	Alluminio					3	0,52	85
		Verniciato							
01NOR09*	189-236-283	Alluminio					3	0,57	92
		Verniciato							
01NOR06*	209-256-303	Alluminio					3	0,62	98
		Verniciato							

(*) 3^a prolunga aggiuntiva

Codice	Lunghezza	Piano				colli	m ³	Kg
		Alucompact®	Fenix-NTM® bordo nero	Pure-white	Fenix-NTM® bordo colore			
50SUS6A	33 cm					1	0,03	6

Optionals

Codice	Descrizione	colli	m ³	Kg
02GTA02	Taglio gambe a misura	-	-	-



NORI ALUCOMPACT® / PURE-WHITE / FENIX-NTM®

Fisso - Profondità 100 cm

Finitura gambe:

Alluminio anodizzato
 Alluminio verniciato bianco (simile al RAL 9016)
 Alluminio verniciato "Alucompact® grigio sabbia" (simile al RAL 9002)
 Alluminio verniciato "Alucompact® grigio antracite" (simile al RAL 7015)
 Alluminio verniciato nero (simile al RAL 9004)
 Alluminio verniciato verde oliva (riferimento colore "Poliuretano verde oliva P008")

Finitura piano:

Laminato Alucompact® (bianco, grigio sabbia, grigio antracite, nero)

 Laminato Pure-white bianco

 Fenix-NTM® bordo nero (bianco Kos 0032, grigio Londra 0718, grigio Bromo 0724, nero Ingo 0720)

 Fenix-NTM® bordo colore (bianco Kos 0032, grigio Londra 0718)

Note:

Attenzione: le misure o le finiture contrassegnate con (!) hanno tempi di produzione più lunghi, circa 6 settimane dalla data dell'ordine.

I tavoli che in estensione superano i 250 cm presentano una leggera flessione del piano, che rientra negli standard di qualità accettati.

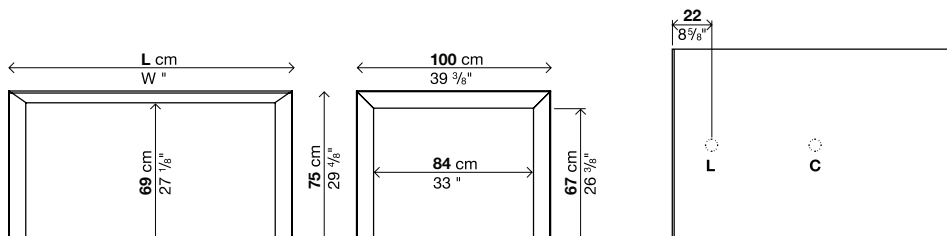
I tavoli di lunghezza 269 e 289 cm presentano una trafilata sottopiano di supporto centrale, pertanto eventuali fori passacavi non potranno essere posizionati centrati nella profondità ma lievemente spostati.

Imballi rinforzati vedi interno di copertina.

Codice	Lunghezza	Gambe	Piano				colli	m ²	Kg
			Alucompact®	Fenix-NTM® bordo nero	Pure-white	Fenix-NTM® bordo colore			
01NOR65F	139	Alluminio		-		-	1	0,39	50
		Verniciato		-		-			
01NOR05F	166	Alluminio					1	0,45	56
		Verniciato							
01NOR07F	189	Alluminio					1	0,5	62
		Verniciato							
01NOR06F	209	Alluminio					1	0,55	67
		Verniciato							
01NOR08F	229 (!)	Alluminio		-		-	1	0,6	72
		Verniciato		-		-			
01NOR67F	249 (!)	Alluminio		-		-	1	0,65	77
		Verniciato		-		-			
01NOR69F	269 (!)	Alluminio		-		-	1	0,69	85
		Verniciato		-		-			
01NOR32F	289 (!)	Alluminio		-		-	1	0,74	90
		Verniciato		-		-			

Optionals

Codice	Descrizione	colli	m ²	Kg
02GTA02	Taglio gambe a misura	-	-	-
02FOR01	Foro passacavi laterale o centrale Ø6	-	-	-
02RET03	Rete cablaggio in materiale plastico	1	0,07	1
02VER01	Vertebra metacrilato opalino	1	0,007	1,5
02CPU03	Porta CPU in metacrilato opalino	1	0,14	5,5



NORI ALUcompact® / PURE-WHITE

Fisso - Profondità 124 cm

Finitura gambe:

Alluminio anodizzato

Alluminio verniciato bianco (simile al RAL 9016)

Alluminio verniciato "Alucompact® grigio sabbia" (simile al RAL 9002)

Alluminio verniciato "Alucompact® grigio antracite" (simile al RAL 7015)

Alluminio verniciato nero (simile al RAL 9004)

Alluminio verniciato verde oliva (riferimento colore "Poliuretano verde oliva P008")

Finitura piano:

Laminato Alucompact® (bianco, grigio sabbia, grigio antracite, nero)

Laminato Pure-white bianco

Note:

Attenzione: le misure o le finiture contrassegnate con (!) hanno tempi di produzione più lunghi, circa 6 settimane dalla data dell'ordine.

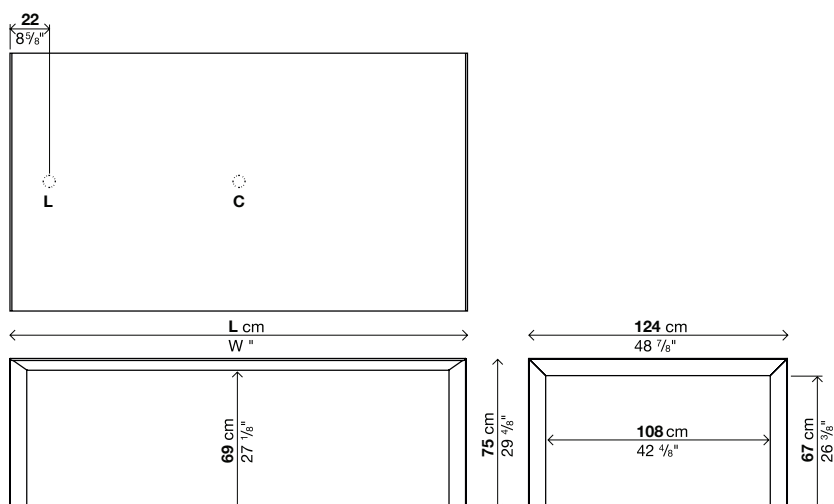
I tavoli che in estensione superano i 250 cm presentano una leggera flessione del piano, che rientra negli standard di qualità accettati.

Imballi rinforzati vedi interno di copertina.

Codice	Lunghezza	Gambe	Piano		colli	m ³	Kg
			Alucompact®	Pure-white			
01NOR71F	209 (!)	Alluminio			1	0,66	86
		Verniciato					
01NOR73F	229 (!)	Alluminio			1	0,72	92
		Verniciato					
01NOR75F	277 (!)	Alluminio			1	0,85	108
		Verniciato					

Optionals

Codice	Descrizione	colli	m ³	Kg
02GTA02	Taglio gambe a misura	-	-	-
02FOR01	Foro passacavi laterale o centrale Ø6	-	-	-
02RET04	Rete cablaggio in materiale plastico	1	0,07	1
02VER01	Vertebra metacrilato opalino	1	0,007	1,5
02CPU04	Porta CPU in metacrilato opalino	1	0,14	5,5



NORI DEKTON® BY COSENTINO

Allungabile - Profondità 90 cm

Finitura gambe:

Alluminio anodizzato

Alluminio verniciato bianco (simile al RAL 9016)

Alluminio verniciato "grigio Ventus"

Alluminio verniciato verde oliva (riferimento colore "Poliuretano verde oliva P008")

Finitura piano:

DEKTON® bianco Zenith

DEKTON® grigio Ventus

DEKTON® Aura (marmo digitale)

Finitura prolunghe:

Alluminio verniciato bianco (simile al RAL 9016)

Alluminio verniciato "grigio Ventus"

Note:

Attenzione: le venature riprodotte sulla superficie dei piani in DEKTON® Aura (marmo digitale) sono disposte in modo casuale, peculiarità che rende ciascun piano unico e non ripetibile. Questa caratteristica implica possibili differenze rispetto ai campioni, non contestabili quali imperfezioni o anomalie. In virtù della casualità della loro disposizione, non è possibile avere su richiesta venature più o meno omogenee.

Attenzione: le misure o le finiture contrassegnate con (!) hanno tempi di produzione più lunghi, circa 6 settimane dalla data dell'ordine.

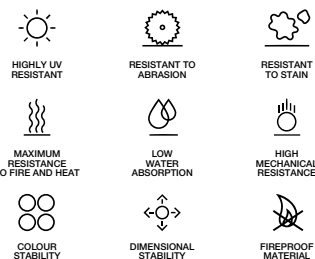
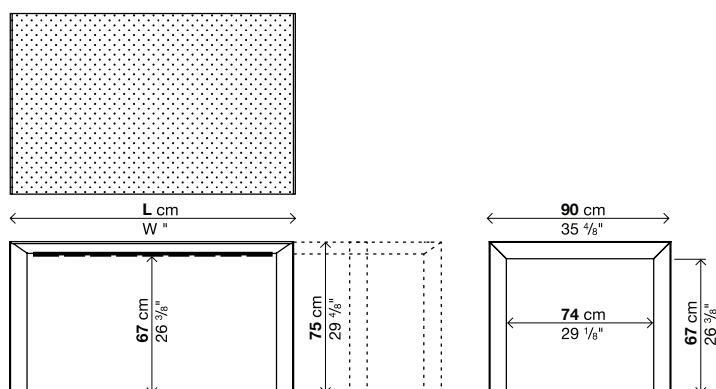
I tavoli che in estensione superano i 250 cm presentano una leggera flessione del piano, che rientra negli standard di qualità accettati.

Imballi rinforzati vedi interno di copertina.

Codice	Lunghezza	Gambe	Piano	colli	m ²	Kg
			DEKTON®			
01NOR03	139-176-214	Alluminio		3	0,41	89
		Verniciato				
01NOR04	166-203-241	Alluminio		3	0,5	102
		Verniciato				
01NOR08	189-226-263	Alluminio		3	0,51	105
		Verniciato				

Optionals

Codice	Descrizione	colli	m ²	Kg
02GTA02	Taglio gambe a misura	-	-	-



NORI DEKTON® BY COSENTINO

Fisso - Profondità 90 cm

Finitura gambe:

- Alluminio anodizzato
- Alluminio verniciato bianco (simile al RAL 9016)
- Alluminio verniciato "grigio Ventus"
- Alluminio verniciato verde oliva (riferimento colore "Poliuretano verde oliva P008")

Finitura piano:

- DEKTON® bianco Zenith
- DEKTON® grigio Ventus
- DEKTON® Aura (marmo digitale)

Note:

Attenzione: le venature riprodotte sulla superficie dei piani in DEKTON® Aura (marmo digitale) sono disposte in modo casuale, peculiarità che rende ciascun piano unico e non ripetibile. Questa caratteristica implica possibili differenze rispetto ai campioni, non contestabili quali imperfezioni o anomalie. In virtù della casualità della loro disposizione, non è possibile avere su richiesta venature più o meno omogenee.

Attenzione: le misure o le finiture contrassegnate con (!) hanno tempi di produzione più lunghi, circa 6 settimane dalla data dell'ordine.

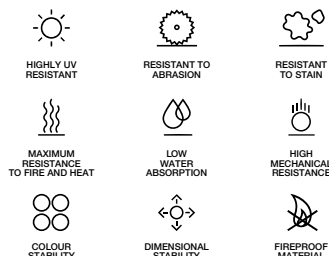
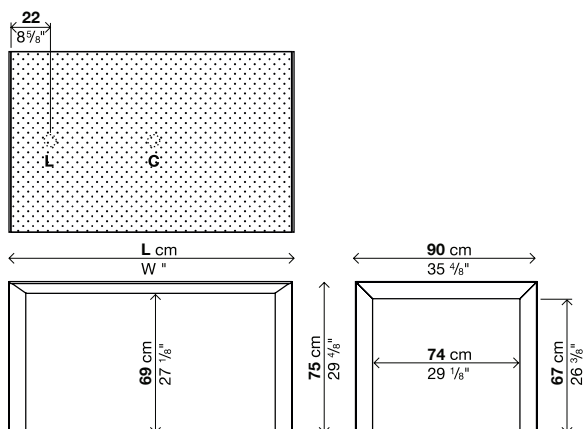
I tavoli che in estensione superano i 250 cm presentano una leggera flessione del piano, che rientra negli standard di qualità accettati.

Imballi rinforzati vedi interno di copertina.

Codice	Lunghezza	Gambe	Piano	colli	m ²	Kg
			DEKTON®			
01NOR03F	139 (!)	Alluminio		1	0,36	60
		Verniciato				
01NOR04F	166 (!)	Alluminio		1	0,42	69
		Verniciato				
01NOR53F	189 (!)	Alluminio		1	0,46	76
		Verniciato				

Optionals

Codice	Descrizione	colli	m ²	Kg
02GTA02	Taglio gambe a misura	-	-	-
02RET02	Rete cablaggio in materiale plastico	1	0,07	1
02VER01	Vertebra metacrilato opalino	1	0,007	1,5
02CPU02	Porta CPU in metacrilato opalino	1	0,14	5,5



NORI DEKTON® BY COSENTINO

Allungabile - Profondità 100 cm

Finitura gambe:

Alluminio anodizzato

Alluminio verniciato bianco (simile al RAL 9016)

Alluminio verniciato "grigio Ventus"

Alluminio verniciato verde oliva (riferimento colore "Poliuretano verde oliva P008")

Finitura piano:

DEKTON® bianco Zenith

DEKTON® grigio Ventus

DEKTON® Aura (marmo digitale)

Finitura prolunghe:

Alluminio verniciato bianco (simile al RAL 9016)

Alluminio verniciato "grigio Ventus"

Note:

Attenzione: le venature riprodotte sulla superficie dei piani in DEKTON® Aura (marmo digitale) sono disposte in modo casuale, peculiarità che rende ciascun piano unico e non ripetibile. Questa caratteristica implica possibili differenze rispetto ai campioni, non contestabili quali imperfezioni o anomalie. In virtù della casualità della loro disposizione, non è possibile avere su richiesta venature più o meno omogenee.

Attenzione: le misure o le finiture contrassegnate con (!) hanno tempi di produzione più lunghi, circa 6 settimane dalla data dell'ordine.

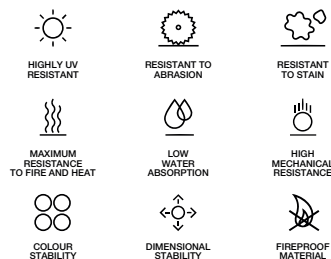
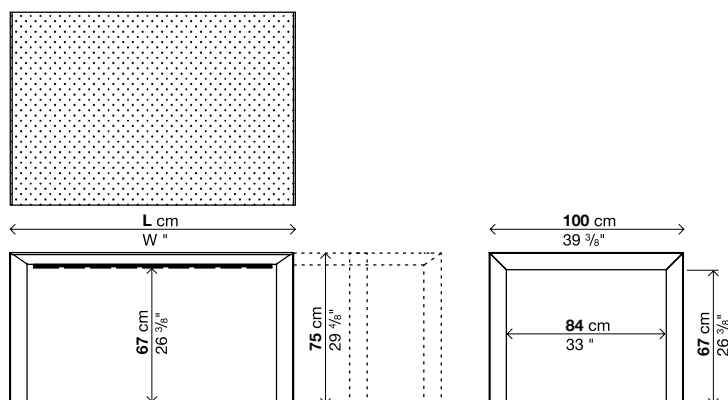
I tavoli che in estensione superano i 250 cm presentano una leggera flessione del piano, che rientra negli standard di qualità accettati.

Imballi rinforzati vedi interno di copertina.

Codice	Lunghezza	Gambe	Piano	colli	m ³	Kg
			DEKTON®			
01NOR05	166-203-240 (!)	Alluminio		3	0,52	108
		Verniciato				
01NOR09	189-226-263 (!)	Alluminio		3	0,57	118
		Verniciato				

Optionals

Codice	Descrizione	colli	m ³	Kg
02GTA02	Taglio gambe a misura	-	-	-



NORI DEKTON® BY COSENTINO

Fisso - Profondità 100 cm

Finitura gambe:

Alluminio anodizzato

Alluminio verniciato bianco (simile al RAL 9016)

Alluminio verniciato "grigio Ventus"

Alluminio verniciato verde oliva (riferimento colore "Poliuretano verde oliva P008")

Finitura piano:

DEKTON® bianco Zenith

DEKTON® grigio Ventus

DEKTON® Aura (marmo digitale)

Note:

Attenzione: le venature riprodotte sulla superficie dei piani in DEKTON® Aura (marmo digitale) sono disposte in modo casuale, peculiarità che rende ciascun piano unico e non ripetibile. Questa caratteristica implica possibili differenze rispetto ai campioni, non contestabili quali imperfezioni o anomalie. In virtù della casualità della loro disposizione, non è possibile avere su richiesta venature più o meno omogenee.

Attenzione: le misure o le finiture contrassegnate con (!) hanno tempi di produzione più lunghi, circa 6 settimane dalla data dell'ordine.

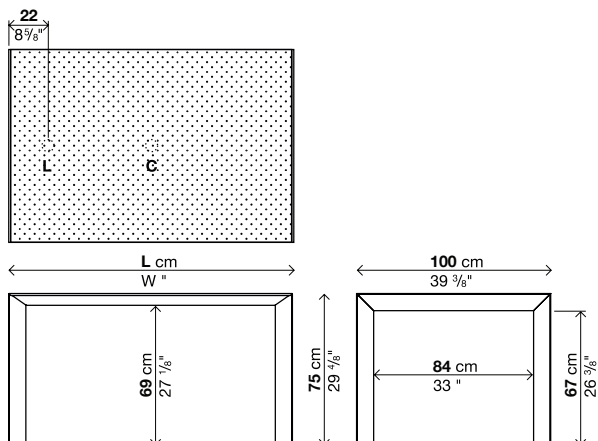
I tavoli che in estensione superano i 250 cm presentano una leggera flessione del piano, che rientra negli standard di qualità accettati.

Imballi rinforzati vedi interno di copertina.

Codice	Lunghezza	Gambe	Piano	colli	m³	Kg
			DEKTON®			
01NOR05F	166 (!)	Alluminio		1	0,45	74
		Verniciato				
01NOR07F	189 (!)	Alluminio		1	0,5	83
		Verniciato				
01NOR08F	229 (!)	Alluminio		1	0,6	97
		Verniciato				
01NOR69F	269 (!)	Alluminio		1	0,69	115
		Verniciato				

Optionals

Codice	Descrizione	colli	m³	Kg
02GTA02	Taglio gambe a misura	-	-	-
02RET03	Rete cablaggio in materiale plastico	1	0,07	1
02VER01	Vertebra metacrilato opalino	1	0,007	1,5
02CPU03	Porta CPU in metacrilato opalino	1	0,14	5,5



NORI LEGNO

Allungabile - Profondità 90 cm

Finitura gambe:

Alluminio anodizzato
 Alluminio verniciato bianco (simile al RAL 9016)
 Alluminio verniciato "Alucompact® grigio sabbia" (simile al RAL 9002)
 Alluminio verniciato "Alucompact® grigio antracite" (simile al RAL 7015)
 Alluminio verniciato "Fenix-NTM® grigio Londra" (simile al RAL Design0805005)
 Alluminio verniciato nero (simile al RAL 9004)
 Alluminio verniciato verde oliva (riferimento colore "Poliuretano verde oliva PO08")

Finitura piano/prolunghe:

Legno effetto rovere europeo
 Legno effetto noce
 Legno effetto rovere tinto nero

Note:

Attenzione: le misure o le finiture contrassegnate con (!) hanno tempi di produzione più lunghi, circa 6 settimane dalla data dell'ordine.

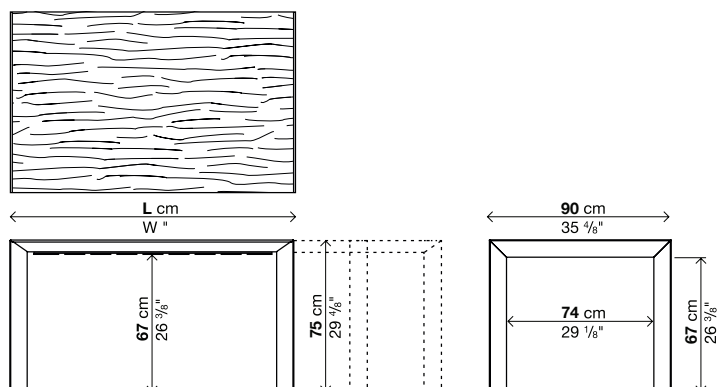
I tavoli che in estensione superano i 250 cm presentano una leggera flessione del piano, che rientra negli standard di qualità accettati.

Imballi rinforzati vedi interno di copertina.

Codice	Lunghezza	Gambe	Piano	
			Legno	colli m³ Kg
01NOR04	166-201-236-271 con tre prolunghe	Alluminio		4 0,5 81
		Verniciato		
01NOR08	189-224-259-294 con tre prolunghe	Alluminio		4 0,53 88,5
		Verniciato		
01NOR30	209-253-297 (!) con due prolunghe	Alluminio		3 0,55 88
		Verniciato		

Optionals

Codice	Descrizione	colli m³ Kg
02GTA02	Taglio gambe a misura	- - -



NORI LEGNO

Fisso - Profondità 90 cm

Finitura gambe:

Alluminio anodizzato

Alluminio verniciato bianco (simile al RAL 9016)

Alluminio verniciato "Alucompact® grigio sabbia" (simile al RAL 9002)

Alluminio verniciato "Alucompact® grigio antracite" (simile al RAL 7015)

Alluminio verniciato "Fenix-NTM® grigio Londra" (simile al RAL Design0805005)

Alluminio verniciato nero (simile al RAL 9004)

Alluminio verniciato verde oliva (riferimento colore "Poliuretano verde oliva P008")

Finitura piano:

Legno effetto rovere europeo

Legno effetto noce

Legno effetto rovere tinto nero

Note:

Attenzione: le misure o le finiture contrassegnate con (!) hanno tempi di produzione più lunghi, circa 6 settimane dalla data dell'ordine.

I tavoli che in estensione superano i 250 cm presentano una leggera flessione del piano, che rientra negli standard di qualità accettati.

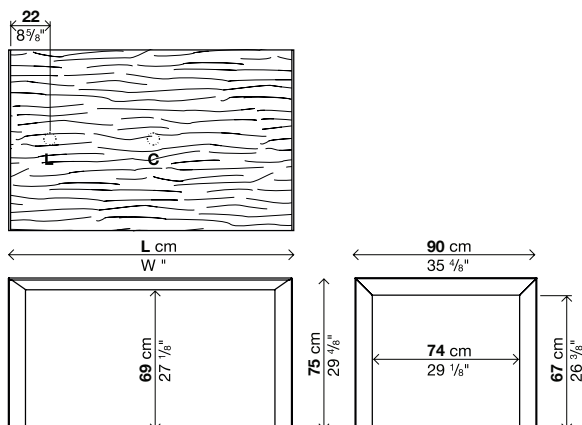
I tavoli di lunghezza 269 e 289 cm presentano una trafilata sottopiano di supporto centrale, pertanto eventuali fori passacavi non potranno essere posizionati centrati nella profondità ma lievemente spostati.

Imballi rinforzati vedi interno di copertina.

Codice	Lunghezza	Gambe	Piano	colli	m ³	Kg
			Legno			
01NOR53F	189	Alluminio		1	0,46	57
		Verniciato				
01NOR30F	209 (!)	Alluminio		1	0,5	62
		Verniciato				
01NOR55F	229 (!)	Alluminio		1	0,55	66
		Verniciato				
01NOR57F	249 (!)	Alluminio		1	0,59	71
		Verniciato				
01NOR59F	269 (!)	Alluminio		1	0,63	79
		Verniciato				
01NOR61F	289 (!)	Alluminio		1	0,67	85
		Verniciato				

Optionals

Codice	Descrizione	colli	m ³	Kg
02GTA02	Taglio gambe a misura	-	-	-
02FOR01	Foro passacavi laterale o centrale Ø6	-	-	-
02RET02	Rete cablaggio in materiale plastico	1	0,07	1
02VER01	Vertebra in metacrilato opalino	1	0,007	1,5
02CPU02	Porta CPU in metacrilato opalino	1	0,14	5,5



NORI LEGNO

Allungabile - Profondità 100 cm

Finitura gambe:

Alluminio anodizzato

Alluminio verniciato bianco (simile al RAL 9016)

Alluminio verniciato "Alucompact® grigio sabbia" (simile al RAL 9002)

Alluminio verniciato "Alucompact® grigio antracite" (simile al RAL 7015)

Alluminio verniciato "Fenix-NTM® grigio Londra" (simile al RAL Design0805005)

Alluminio verniciato nero (simile al RAL 9004)

Alluminio verniciato verde oliva (riferimento colore "Poliuretano verde oliva P008")

Finitura piano/prolunghe:

Legno effetto rovere europeo

Legno effetto noce

Legno effetto rovere tinto nero

Note:

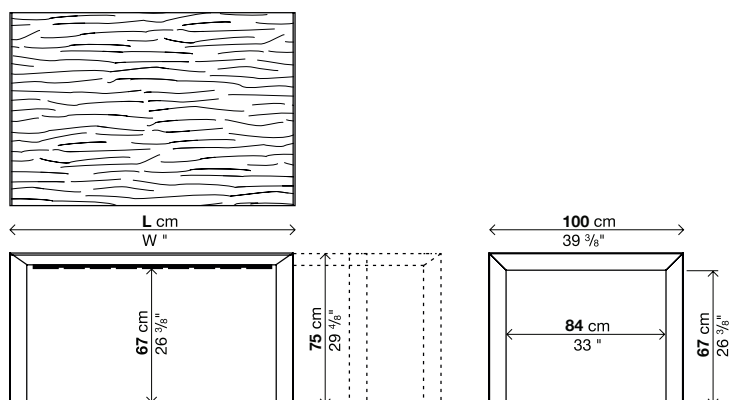
I tavoli che in estensione superano i 250 cm presentano una leggera flessione del piano, che rientra negli standard di qualità accettati.

Imballi rinforzati vedi interno di copertina.

Codice	Lunghezza	Gambe	Piano	colli	m³	Kg
			Legno			
01NOR05	166-201-236-271 con tre prolunghe	Alluminio		4	0,55	91
		Verniciato				
01NOR09	189-224-259-294 con tre prolunghe	Alluminio		4	0,6	98
		Verniciato				
01NOR06	209-253-297 con due prolunghe	Alluminio		3	0,62	98
		Verniciato				

Optionals

Codice	Descrizione	colli	m³	Kg
02GTA02	Taglio gambe a misura	-	-	-



NORI LEGNO

Fisso - Profondità 100 cm

Finitura gambe:

Alluminio anodizzato

Alluminio verniciato bianco (simile al RAL 9016)

Alluminio verniciato "Alucompact® grigio sabbia" (simile al RAL 9002)

Alluminio verniciato "Alucompact® grigio antracite" (simile al RAL 7015)

Alluminio verniciato "Fenix-NTM® grigio Londra" (simile al RAL Design0805005)

Alluminio verniciato nero (simile al RAL 9004)

Alluminio verniciato verde oliva (riferimento colore "Poliuretano verde oliva P008")

Finitura piano:

Legno effetto rovere europeo

Legno effetto noce

Legno effetto rovere tinto nero

Note:

Attenzione: le misure o le finiture contrassegnate con (!) hanno tempi di produzione più lunghi, circa 6 settimane dalla data dell'ordine.

I tavoli che in estensione superano i 250 cm presentano una leggera flessione del piano, che rientra negli standard di qualità accettati.

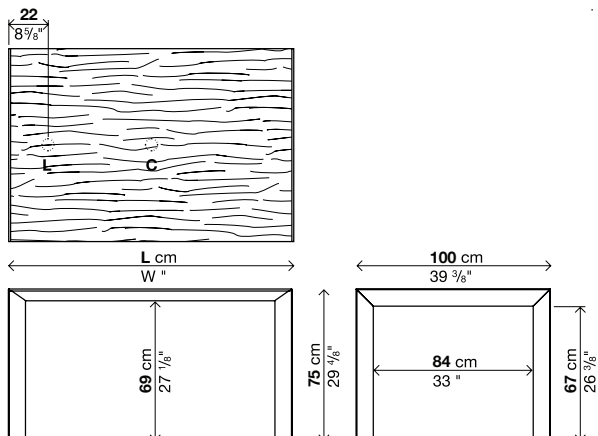
I tavoli di lunghezza 269 e 289 cm presentano una trafilata sottopiano di supporto centrale, pertanto eventuali fori passacavi non potranno essere posizionati centrati nella profondità ma lievemente spostati.

Imballi rinforzati vedi interno di copertina.

Codice	Lunghezza	Gambe	Piano	
			colli	m ³ Kg
			Legno	
01NOR07F	189	Alluminio Verniciato	1	0,5 62
01NOR06F	209	Alluminio Verniciato	1	0,55 67
01NOR08F	229 (!)	Alluminio Verniciato	1	0,6 72
01NOR67F	249 (!)	Alluminio Verniciato	1	0,65 77
01NOR69F	269 (!)	Alluminio Verniciato	1	0,69 85
01NOR32F	289 (!)	Alluminio Verniciato	1	0,74 90

Optionals

Codice	Descrizione	colli	m ³	Kg
02GTA02	Taglio gambe a misura	-	-	-
02FOR01	Foro passacavi laterale o centrale Ø6	-	-	-
02RET02	Rete cablaggio in materiale plastico	1	0,07	1
02VER01	Vertebra in metacrilato opalino	1	0,007	1,5
02CPU03	Porta CPU in metacrilato opalino	1	0,14	5,5



NORI VETRO

Allungabile - Profondità 80 cm

Finitura gambe:

Alluminio anodizzato

Alluminio verniciato bianco (simile al RAL 9016)

Alluminio verniciato nero (simile al RAL 9004)

Finitura piano:

Vetro lucido colori: extra white, grigio antracite, nero, titanio

Vetro opaco colori: extra white, grigio antracite, nero, titanio

Finitura prolunghe:

Laminato Alucompact® bianco

Laminato Alucompact® grigio sabbia

Laminato Alucompact® grigio antracite

Laminato Alucompact® nero

Note:

Nei tavoli con i codici contrassegnati con l'asterisco (*) c'è la possibilità di aggiungere la terza prolunga per aumentare ulteriormente l'allungo.

Attenzione: le misure o le finiture contrassegnate con (!) hanno tempi di produzione più lunghi, circa 6 settimane dalla data dell'ordine.

I tavoli che in estensione superano i 250 cm presentano una leggera flessione del piano, che rientra negli standard di qualità accettati.

Imballi rinforzati vedi interno di copertina.

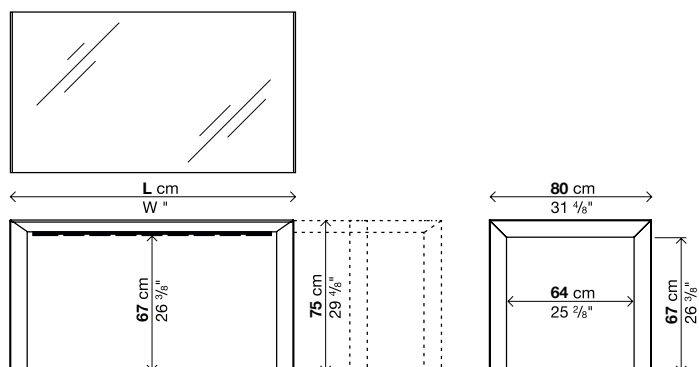
Codice	Lunghezza	Gambe	Piano		colli	m ²	Kg
			Vetro lucido	Vetro opaco			
01NOR11	114-154-194	Alluminio			3	0,32	64
		Verniciato					
01NOR12	139-179-219	Alluminio			3	0,37	72
		Verniciato					
01NOR16*	166-206-246	Alluminio			3	0,42	79
		Verniciato					

(*) 3^a prolunga aggiuntiva

Codice	Lunghezza	Piano		colli	m ²	Kg
		Alucompact®				
50SUS5A	33 cm			1	0,03	6

Optionals

Codice	Descrizione	colli	m ²	Kg
02GTA02	Taglio gambe a misura	-	-	-



NORI VETRO

Fisso - Profondità 80 cm

Finitura gambe:

Alluminio anodizzato

Alluminio verniciato bianco (simile al RAL 9016)

Alluminio verniciato nero (simile al RAL 9004)

Finitura piano:

Vetro lucido colori: extra white, grigio antracite, nero, titanio

Vetro opaco colori: extra white, grigio antracite, nero, titanio

Note:

Attenzione: le misure o le finiture contrassegnate con (!) hanno tempi di produzione più lunghi, circa 6 settimane dalla data dell'ordine.

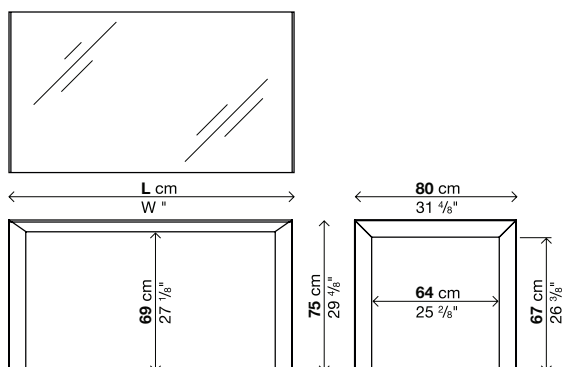
I tavoli che in estensione superano i 250 cm presentano una leggera flessione del piano, che rientra negli standard di qualità accettati.

Imballi rinforzati vedi interno di copertina.

Codice	Lunghezza	Gambe	Piano		colli	m ³	Kg
			Vetro lucido	Vetro opaco			
01NOR11F	114	Alluminio			1	0,27	44
		Verniciato					
01NOR12F	139	Alluminio			1	0,32	52
		Verniciato					
01NOR29F	166	Alluminio			1	0,37	58
		Verniciato					
01NOR34F	189	Alluminio			1	0,41	66
		Verniciato					
01NOR36F	209	Alluminio			1	0,45	72
		Verniciato					
01NOR38F	229 (!)	Alluminio			1	0,49	77
		Verniciato					
01NOR44F	249 (!)	Alluminio			1	0,53	83
		Verniciato					
01NOR46F	269 (!)	Alluminio			1	0,57	88
		Verniciato					
01NOR48F	289 (!)	Alluminio			1	0,61	94
		Verniciato					

Optionals

Codice	Descrizione	colli	m ³	Kg
02GTA02	Taglio gambe a misura	-	-	-
02RET01	Rete cablaggio in materiale plastico	1	0,07	1
02VER01	Vertebra metacrilato opalino	1	0,007	1,5
02CPU01	Porta CPU in metacrilato opalino	1	0,14	5,5



NORI VETRO

Allungabile - Profondità 90 cm

Finitura gambe:

Alluminio anodizzato

Alluminio verniciato bianco (simile al RAL 9016)

Alluminio verniciato nero (simile al RAL 9004)

Finitura piano:

Vetro lucido colori: extra white, grigio antracite, nero, titanio

Vetro opaco colori: extra white, grigio antracite, nero, titanio

Finitura prolunghe:

Laminato Alucompact® bianco

Laminato Alucompact® grigio sabbia

Laminato Alucompact® grigio antracite

Laminato Alucompact® nero

Note:

Nei tavoli con i codici contrassegnati con l'asterisco (*) c'è la possibilità di aggiungere la terza prolunga per aumentare ulteriormente l'allungo.

Attenzione: le misure o le finiture contrassegnate con (!) hanno tempi di produzione più lunghi, circa 6 settimane dalla data dell'ordine.

I tavoli che in estensione superano i 250 cm presentano una leggera flessione del piano, che rientra negli standard di qualità accettati.

Imballi rinforzati vedi interno di copertina.

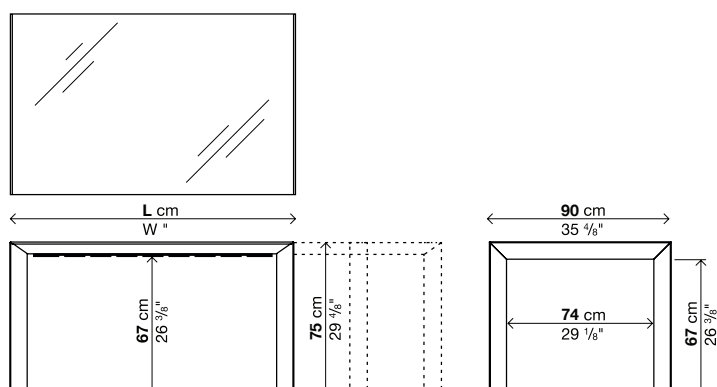
Codice	Lunghezza	Gambe	Piano		colli	m ²	Kg
			Vetro lucido	Vetro opaco			
01NOR13	139-176-214	Alluminio			3	0,41	81
		Verniciato					
01NOR14	166-203-241-278 3ª prolunga di serie	Alluminio			4	0,5	96
		Verniciato					
01NOR18*	189-226-263	Alluminio			3	0,51	98
		Verniciato					
01NOR40*	209-246-283	Alluminio			3	0,55	105
		Verniciato					

(*) 3ª prolunga aggiuntiva

Codice	Lunghezza	Piano		colli	m ²	Kg
		Alucompact®				
50SUS2A	37,5 cm			1	0,03	6,5

Optionals

Codice	Descrizione	colli	m ²	Kg
02GTA02	Taglio gambe a misura	-	-	-



NORI VETRO

Fisso - Profondità 90 cm

Finitura gambe:

Alluminio anodizzato

Alluminio verniciato bianco (simile al RAL 9016)

Alluminio verniciato nero (simile al RAL 9004)

Finitura piano:

Vetro lucido colori: extra white, grigio antracite, nero, titanio

Vetro opaco colori: extra white, grigio antracite, nero, titanio

Note:

Attenzione: le misure o le finiture contrassegnate con (!) hanno tempi di produzione più lunghi, circa 6 settimane dalla data dell'ordine.

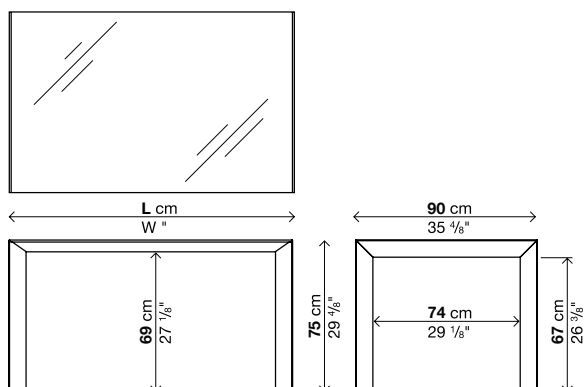
I tavoli che in estensione superano i 250 cm presentano una leggera flessione del piano, che rientra negli standard di qualità accettati.

Imballi rinforzati vedi interno di copertina.

Codice	Lunghezza	Gambe	Piano		colli	m ³	Kg
			Vetro lucido	Vetro opaco			
01NOR52F	114	Alluminio			1	0,3	51
		Verniciato					
01NOR13F	139	Alluminio			1	0,36	58
		Verniciato					
01NOR14F	166	Alluminio			1	0,42	67
		Verniciato					
01NOR54F	189	Alluminio			1	0,46	74
		Verniciato					
01NOR40F	209	Alluminio			1	0,5	80
		Verniciato					
01NOR56F	229 (!)	Alluminio			1	0,55	86
		Verniciato					
01NOR58F	249 (!)	Alluminio			1	0,59	92
		Verniciato					
01NOR60F	269 (!)	Alluminio			1	0,63	103
		Verniciato					
01NOR62F	289 (!)	Alluminio			1	0,67	109
		Verniciato					

Optionals

Codice	Descrizione	colli	m ³	Kg
02GTA02	Taglio gambe a misura	-	-	-
02RET02	Rete cablaggio in materiale plastico	1	0,07	1
02VER01	Vertebra metacrilato opalino	1	0,007	1,5
02CPU02	Porta CPU in metacrilato opalino	1	0,14	5,5



NORI VETRO

Allungabile - Profondità 100 cm

Finitura gambe:

Alluminio anodizzato

Alluminio verniciato bianco (simile al RAL 9016)

Alluminio verniciato nero (simile al RAL 9004)

Finitura piano:

Vetro lucido colori: extra white, grigio antracite, nero, titanio

Vetro opaco colori: extra white, grigio antracite, nero, titanio

Finitura prolunghe:

Laminato Alucompact® bianco

Laminato Alucompact® grigio sabbia

Laminato Alucompact® grigio antracite

Laminato Alucompact® nero

Note:

Nei tavoli con i codici contrassegnati con l'asterisco (*) c'è la possibilità di aggiungere la terza prolunga per aumentare ulteriormente l'allungo.

Attenzione: le misure o le finiture contrassegnate con (!) hanno tempi di produzione più lunghi, circa 6 settimane dalla data dell'ordine.

I tavoli che in estensione superano i 250 cm presentano una leggera flessione del piano, che rientra negli standard di qualità accettati.

Imballi rinforzati vedi interno di copertina.

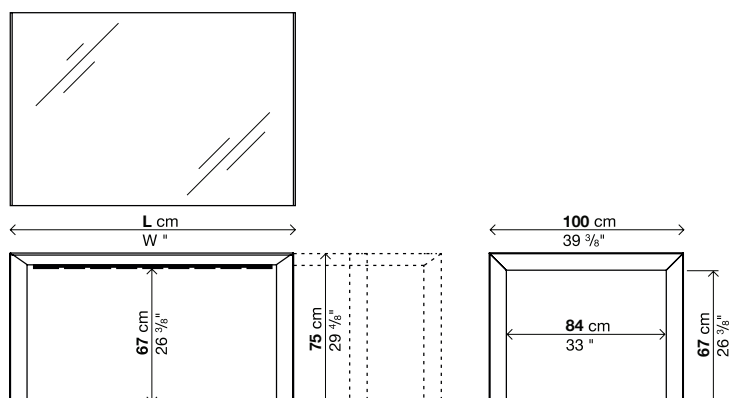
Codice	Lunghezza	Gambe	Piano		colli	m ²	Kg
			Vetro lucido	Vetro opaco			
01NOR15*	166-213-260	Alluminio			3	0,52	101
		Verniciato					
01NOR19*	189-236-283	Alluminio			3	0,57	108
		Verniciato					
01NOR17*	209-256-303	Alluminio			3	0,62	118
		Verniciato					

(*) 3^a prolunga aggiuntiva

Codice	Lunghezza	Piano		colli	m ²	Kg
		Alucompact®				
50SUS6A	33 cm			1	0,03	6

Optionals

Codice	Descrizione	colli	m ²	Kg
02GTA02	Taglio gambe a misura	-	-	-



NORI VETRO

Fisso - Profondità 100 cm

Finitura gambe:

Alluminio anodizzato

Alluminio verniciato bianco (simile al RAL 9016)

Alluminio verniciato nero (simile al RAL 9004)

Finitura piano:

Vetro lucido colori: extra white, grigio antracite, nero, titanio

Vetro opaco colori: extra white, grigio antracite, nero, titanio

Note:

Attenzione: le misure o le finiture contrassegnate con (!) hanno tempi di produzione più lunghi, circa 6 settimane dalla data dell'ordine.

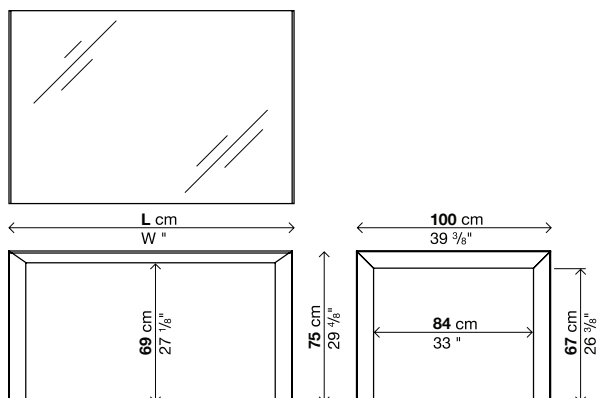
I tavoli che in estensione superano i 250 cm presentano una leggera flessione del piano, che rientra negli standard di qualità accettati.

Imballi rinforzati vedi interno di copertina.

Codice	Lunghezza	Gambe	Piano		colli	m ²	Kg
			Vetro lucido	Vetro opaco			
01NOR66F	139	Alluminio			1	0,39	63
		Verniciato					
01NOR15F	166	Alluminio			1	0,45	72
		Verniciato					
01NOR18F	189	Alluminio			1	0,5	80
		Verniciato					
01NOR17F	209	Alluminio			1	0,55	87
		Verniciato					
01NOR19F	229 (!)	Alluminio			1	0,6	93
		Verniciato					
01NOR68F	249 (!)	Alluminio			1	0,65	100
		Verniciato					
01NOR70F	269 (!)	Alluminio			1	0,69	110
		Verniciato					
01NOR42F	289 (!)	Alluminio			1	0,74	118
		Verniciato					

Optionals

Codice	Descrizione	colli	m ²	Kg
02GTA02	Taglio gambe a misura	-	-	-
02RET03	Rete cablaggio in materiale plastico	1	0,07	1
02VER01	Vertebra metacrilato opalino	1	0,007	1,5
02CPU03	Porta CPU in metacrilato opalino	1	0,14	5,5



NORI VETRO

Fisso - Profondità 124 cm

Finitura gambe:

Alluminio anodizzato

Alluminio verniciato bianco (simile al RAL 9016)

Alluminio verniciato nero (simile al RAL 9004)

Finitura piano:

Vetro lucido colori: extra white, grigio antracite, nero, titanio

Vetro opaco colori: extra white, grigio antracite, nero, titanio

Note:

Attenzione: le misure o le finiture contrassegnate con (!) hanno tempi di produzione più lunghi, circa 6 settimane dalla data dell'ordine.

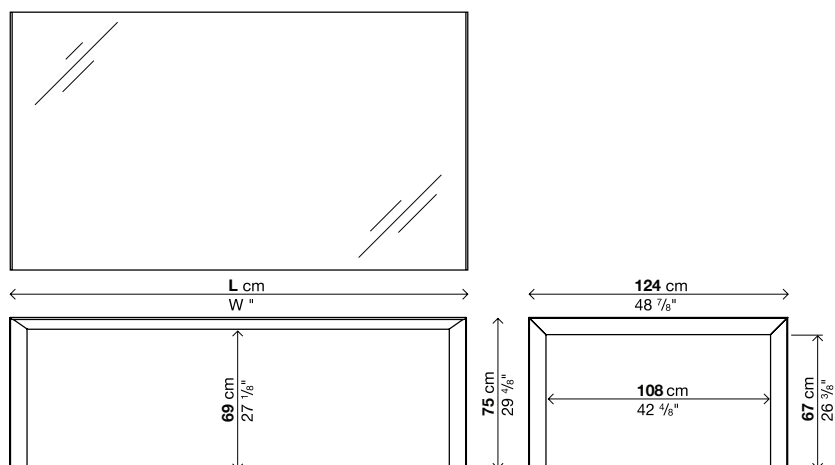
I tavoli che in estensione superano i 250 cm presentano una leggera flessione del piano, che rientra negli standard di qualità accettati.

Imballi rinforzati vedi interno di copertina.

Codice	Lunghezza	Gambe	Piano		colli	m³	Kg
			Vetro lucido	Vetro opaco			
01NOR72F	209 (!)	Alluminio			1	0,66	109
		Verniciato					
01NOR74F	229 (!)	Alluminio			1	0,72	118
		Verniciato					
01NOR76F	277 (!)	Alluminio			1	0,85	140
		Verniciato					

Optionals

Codice	Descrizione	colli	m³	Kg
02GTA02	Taglio gambe a misura	-	-	-
02RET04	Rete cablaggio in materiale plastico	1	0,07	1
02VER01	Vertebra metacrilato opalino	1	0,007	1,5
02CPU04	Porta CPU in metacrilato opalino	1	0,14	5,5



NORI

Übersicht

Prof. 80 cm Depth 314³/₈"

80	114 cm 44 ⁷ / ₈ "	→ Alucompact® → Pure-white → Glas
	114/154/194 cm 44 ⁷ / ₈ /60 ⁵ / ₈ /76 ³ / ₈ "	→ Alucompact® → Pure-white → Glas
	139 cm 54 ⁶ / ₈ "	→ Alucompact® → Pure-white → Glas
	139/179/219 cm 54 ⁶ / ₈ /70 ⁴ / ₈ /86 ² / ₈ "	→ Alucompact® → Pure-white → Glas
	166 cm 65 ³ / ₈ "	→ Alucompact® → Pure-white → Glas
	166/206/246 cm *	→ Alucompact® → Pure-white → Glas
	189 cm 74 ³ / ₈ "	→ Alucompact® → Pure-white → Glas
	209 cm 82 ² / ₈ "	→ Alucompact® → Pure-white → Glas
	229 cm 90 ¹ / ₈ "	→ Alucompact® → Pure-white → Glas
	249 cm 98"	→ Alucompact® → Pure-white → Glas
	269 cm 105 ⁷ / ₈ "	→ Alucompact® → Pure-white → Glas
	289 cm 113 ⁶ / ₈ "	→ Alucompact® → Pure-white → Glas

Prof. 90 cm Depth 353³/₈"

90	114 cm 44 ⁷ / ₈ "	→ Alucompact® → Pure-white → Glas
	139 cm 54 ⁶ / ₈ "	→ Alucompact® → Pure-white → Fenix-NTM® → Glas → DEKTON®
	139/176/214 cm 54 ⁶ / ₈ /69 ² / ₈ /84 ² / ₈ "	→ Alucompact® → Pure-white → Fenix-NTM® → Glas → DEKTON®
	166 cm 65 ³ / ₈ "	→ Alucompact® → Pure-white → Fenix-NTM® → Glas → DEKTON®
	166/203/241/278 cm 65 ³ / ₈ /79 ¹ / ₈ /94 ⁷ / ₈ /109 ⁴ / ₈ "	→ Alucompact® → Pure-white → Fenix-NTM® → Glas
	166/203/241 cm 65 ³ / ₈ /79 ¹ / ₈ /94 ⁷ / ₈ "	→ DEKTON®
	166/201/236/271 cm 65 ³ / ₈ /79 ¹ / ₈ /92 ⁷ / ₈ /106 ⁶ / ₈ "	→ Holz
	189 cm 74 ³ / ₈ "	→ Alucompact® → Pure-white → Fenix-NTM® → Glas → DEKTON® → Holz
	189/226/263 cm *	→ Alucompact® → Pure-white → Fenix-NTM® → Glas
	189/226/263 cm 74 ³ / ₈ /89/103 ⁴ / ₈ "	→ DEKTON®
	189/224/259/294 cm 74 ³ / ₈ /88 ² / ₈ /102 ¹ / ₁₅₆ "	→ Holz
	209 cm 82 ² / ₈ "	→ Alucompact® → Pure-white → Fenix-NTM® → Glas → Holz
	209/246/283 cm *	→ Alucompact® → Pure-white → Fenix-NTM® → Glas
	209/253/297 cm 82 ² / ₈ /99 ⁵ / ₈ /116 ⁷ / ₈ "	→ Holz
	229 cm 90 ¹ / ₈ "	→ Alucompact® → Pure-white → Glas → Holz
	249 cm 98"	→ Alucompact® → Pure-white → Glas → Holz
	269 cm 105 ⁷ / ₈ "	→ Alucompact® → Pure-white → Glas → Holz
	289 cm 113 ⁶ / ₈ "	→ Alucompact® → Pure-white → Glas → Holz

Prof. 100 cm Depth 393³/₈"

100	139 cm 54 ⁶ / ₈ "	→ Alucompact® → Pure-white → Glas
	166 cm 65 ³ / ₈ "	→ Alucompact® → Pure-white → Fenix-NTM® → Glas → DEKTON®
	166/213/260 cm *	→ Alucompact® → Pure-white → Fenix-NTM® → Glas
	166/203/240 cm 65 ³ / ₈ /79 ¹ / ₈ /94 ⁴ / ₈ "	→ DEKTON®
	166/201/236/271 cm 65 ³ / ₈ /79 ¹ / ₈ /92 ⁷ / ₈ /106 ⁶ / ₈ "	→ Holz
	189 cm 74 ³ / ₈ "	→ Alucompact® → Pure-white → Fenix-NTM® → Glas → DEKTON® → Holz
	189/236/283 cm *	→ Alucompact® → Pure-white → Fenix-NTM® → Glas
	189/226/263 cm 74 ³ / ₈ /89/103 ⁴ / ₈ "	→ DEKTON®
	189/224/259/294 cm 74 ³ / ₈ /88 ² / ₈ /102 ¹ / ₁₅₆ "	→ Holz
	209 cm 82 ² / ₈ "	→ Alucompact® → Pure-white → Fenix-NTM® → Glas → Holz
	209/256/303 cm *	→ Alucompact® → Pure-white → Fenix-NTM® → Glas
	209/253/297 cm 82 ² / ₈ /99 ⁵ / ₈ /116 ⁷ / ₈ "	→ Holz
	229 cm 90 ¹ / ₈ "	→ Alucompact® → Pure-white → Glas → DEKTON® → Holz
	249 cm 98"	→ Alucompact® → Pure-white → Glas → Holz
	269 cm 105 ⁷ / ₈ "	→ Alucompact® → Pure-white → Glas → DEKTON® → Holz
	289 cm 113 ⁶ / ₈ "	→ Alucompact® → Pure-white → Glas → Holz

* = 3. zusätzliche Verlängerung (auf Anfrage)

Platten

Prof. 124 cm
Depth 483/8"

124

209 cm
82 2/8"

→ Alucompact®
→ Pure-white
→ Glas

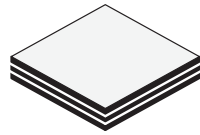

229 cm
90 1/8"

→ Alucompact®
→ Pure-white
→ Glas

277 cm
109"

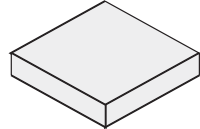
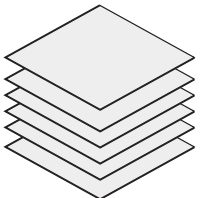
→ Alucompact®
→ Pure-white
→ Glas

Alucompact® St. 10 mm

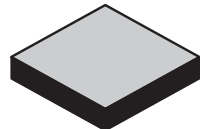
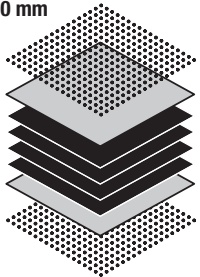
- laminat
- Core (Kraftpapier)
- Aluminium
- Core (Kraftpapier)
- Aluminium
- Core (Kraftpapier)
- laminat

Pure-white St. 10 mm

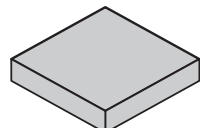
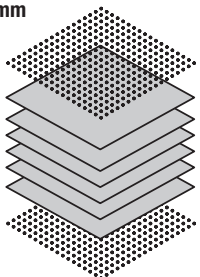
- laminat
- Core Weiß
- laminat

Fenix-NTM® schwarze Kante St. 10 mm

- mit Hilfe der Nanotechnologie hergestellt Oberfläche
- Dekorpapier
- Core (Kraftpapier)
- Dekorpapier
- mit Hilfe der Nanotechnologie hergestellt Oberfläche

Fenix-NTM® farbige Kante St. 10 mm

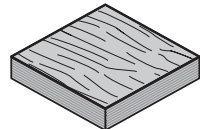
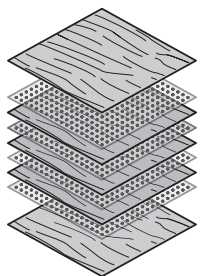
- mit Hilfe der Nanotechnologie hergestellt Oberfläche
- Dekorpapier
- Dekorpapier
- Dekorpapier
- mit Hilfe der Nanotechnologie hergestellt Oberfläche

DEKTON® by Cosentino St. 8 mm



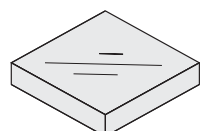
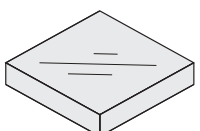

Dekton ist ein hoch entwickeltes Rohstoffgemisch, das für die Erzeugung von Glas, Keramik der letzten Generation und Quarzoberflächen mit höchster Qualität eingesetzt wird.

Holz St. 10 mm

- Holzfurnier
- Holzfurnier + Melaminharzfolien
- Holzfurnier

Glas St. 10 mm

- Glas
- Lackiert

NORI ALUcompact® / PURE-WHITE

Erweiterbar - Tiefe 80 cm

Ausführung der Beine:

Eloxiertes Aluminium
 Weiß lackiertes Aluminium (farbähnlich wie RAL 9016)
 "Alucompact® Sandgrau" lackiertes Aluminium (farbähnlich wie RAL 9002)
 "Alucompact® Anthrazitgrau" lackiertes Aluminium (farbähnlich wie RAL 7015)
 Schwarz lackiertes Aluminium (farbähnlich wie RAL 9004)

Ausführung der Platte/Verlängerungen:

Laminat Alucompact® (Weiß, Sandgrau, Anthrazitgrau, Schwarz)

Laminat Pure-white Weiß

Anmerkung:

Bei den Tischen, deren Artikelnummern mit Sternchen (*) markiert sind, ist das Hinzufügen einer dritten Verlängerung möglich, wodurch der Tisch noch größer wird.

Achtung: Die mit (!) gekennzeichneten Maße oder Ausführungen haben eine längere Produktionszeit: zirka 6 Wochen ab Auftragsdatum.

Für verstärkte Verpackungen siehe Innenseite des Umschlags.

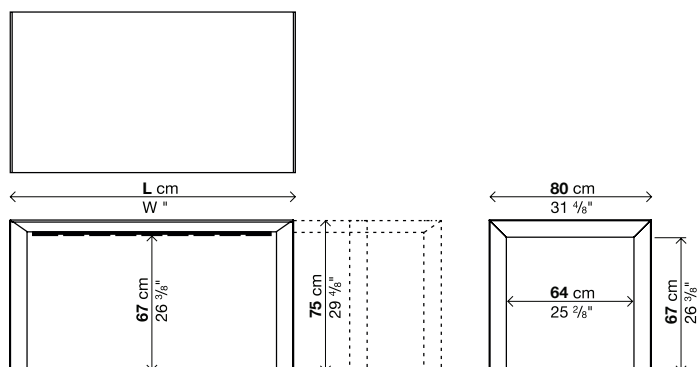
Art.-Nr.	Länge	Beine	Platte		kolli	m³	Kg
			Alucompact®	Pure-white (!)			
01NOR01	114-154-194	Aluminium			3	0,32	63
		Lackiert					
01NOR02	139-179-219	Aluminium			3	0,37	69
		Lackiert					
01NOR07*	166-206-246	Aluminium			3	0,42	75
		Lackiert					

(* 3 zusätzliche Verlängerung

Art.-Nr.	Länge	Platte		kolli	m³	Kg
		Alucompact®	Pure-white			
50SUS5A	33 cm			1	0,03	6

Optionen

Art.-Nr.	Beschreibung	kolli	m³	Kg
02GTA02	Zuschnitt der Beine nach Maß	-	-	-



NORI ALUCOMPACT® / PURE-WHITE

Fixmaße - Tiefe 80 cm

Ausführung der Beine:

Eloxiertes Aluminium

Weiß lackiertes Aluminium (farbähnlich wie RAL 9016)

"Alucompact® Sandgrau" lackiertes Aluminium (farbähnlich wie RAL 9002)

"Alucompact® Anthrazitgrau" lackiertes Aluminium (farbähnlich wie RAL 7015)

Schwarz lackiertes Aluminium (farbähnlich wie RAL 9004)

Ausführung der Platte:

Laminat Alucompact® (Weiß, Sandgrau, Anthrazitgrau, Schwarz)

Laminat Pure-white Weiß

Anmerkung:

Achtung: Die mit (!) gekennzeichneten Maße oder Ausführungen haben eine längere Produktionszeit: zirka 6 Wochen ab Auftragsdatum.

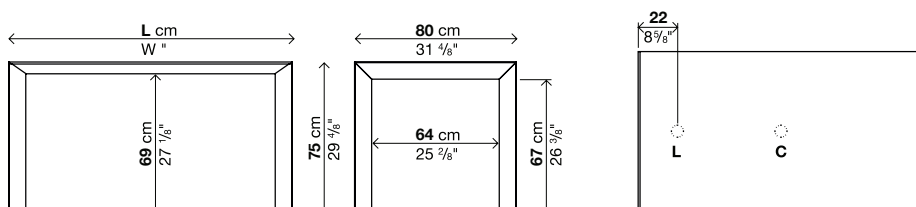
Jene Tische, die im ausgezogenen Zustand eine Länge von 250 cm überschreiten, weisen eine leichte Biegung der Platte auf, die jedoch innerhalb der festgelegten qualitativen Standards liegt.

Für verstärkte Verpackungen siehe Innenseite des Umschlags.

Art.-Nr.	Länge	Beine	Platte		kolli	m³	Kg																																																																																			
			Alucompact®	Pure-white																																																																																						
01NOR01F	114	Aluminium			1	0,27	35																																																																																			
		Lackiert						01NOR02F	139	Aluminium			1	0,32	41	Lackiert			01NOR28F	166 (!)	Aluminium			1	0,37	47	Lackiert			01NOR33F	189 (!)	Aluminium			1	0,41	52	Lackiert			01NOR35F	209 (!)	Aluminium			1	0,45	56	Lackiert			01NOR37F	229 (!)	Aluminium			1	0,49	60	Lackiert			01NOR43F	249 (!)	Aluminium			1	0,53	65	Lackiert			01NOR45F	269 (!)	Aluminium			1	0,57	68	Lackiert			01NOR47F	289 (!)	Aluminium			1
01NOR02F	139	Aluminium			1	0,32	41																																																																																			
		Lackiert						01NOR28F	166 (!)	Aluminium			1	0,37	47	Lackiert			01NOR33F	189 (!)	Aluminium			1	0,41	52	Lackiert			01NOR35F	209 (!)	Aluminium			1	0,45	56	Lackiert			01NOR37F	229 (!)	Aluminium			1	0,49	60	Lackiert			01NOR43F	249 (!)	Aluminium			1	0,53	65	Lackiert			01NOR45F	269 (!)	Aluminium			1	0,57	68	Lackiert			01NOR47F	289 (!)	Aluminium			1	0,61	72	Lackiert								
01NOR28F	166 (!)	Aluminium			1	0,37	47																																																																																			
		Lackiert						01NOR33F	189 (!)	Aluminium			1	0,41	52	Lackiert			01NOR35F	209 (!)	Aluminium			1	0,45	56	Lackiert			01NOR37F	229 (!)	Aluminium			1	0,49	60	Lackiert			01NOR43F	249 (!)	Aluminium			1	0,53	65	Lackiert			01NOR45F	269 (!)	Aluminium			1	0,57	68	Lackiert			01NOR47F	289 (!)	Aluminium			1	0,61	72	Lackiert																			
01NOR33F	189 (!)	Aluminium			1	0,41	52																																																																																			
		Lackiert						01NOR35F	209 (!)	Aluminium			1	0,45	56	Lackiert			01NOR37F	229 (!)	Aluminium			1	0,49	60	Lackiert			01NOR43F	249 (!)	Aluminium			1	0,53	65	Lackiert			01NOR45F	269 (!)	Aluminium			1	0,57	68	Lackiert			01NOR47F	289 (!)	Aluminium			1	0,61	72	Lackiert																														
01NOR35F	209 (!)	Aluminium			1	0,45	56																																																																																			
		Lackiert						01NOR37F	229 (!)	Aluminium			1	0,49	60	Lackiert			01NOR43F	249 (!)	Aluminium			1	0,53	65	Lackiert			01NOR45F	269 (!)	Aluminium			1	0,57	68	Lackiert			01NOR47F	289 (!)	Aluminium			1	0,61	72	Lackiert																																									
01NOR37F	229 (!)	Aluminium			1	0,49	60																																																																																			
		Lackiert						01NOR43F	249 (!)	Aluminium			1	0,53	65	Lackiert			01NOR45F	269 (!)	Aluminium			1	0,57	68	Lackiert			01NOR47F	289 (!)	Aluminium			1	0,61	72	Lackiert																																																				
01NOR43F	249 (!)	Aluminium			1	0,53	65																																																																																			
		Lackiert						01NOR45F	269 (!)	Aluminium			1	0,57	68	Lackiert			01NOR47F	289 (!)	Aluminium			1	0,61	72	Lackiert																																																															
01NOR45F	269 (!)	Aluminium			1	0,57	68																																																																																			
		Lackiert						01NOR47F	289 (!)	Aluminium			1	0,61	72	Lackiert																																																																										
01NOR47F	289 (!)	Aluminium			1	0,61	72																																																																																			
		Lackiert																																																																																								

Optionen

Art.-Nr.	Beschreibung	kolli	m³	Kg
02GTA02	Zuschnitt der Beine nach Maß	-	-	-
02FOR01	Seitlicher oder mittlerer Kabeldurchlass	-	-	-
02RET01	Kabelnetz, Kunststoffmaterial	1	0,07	1
02VER01	Kabelschlange, mattes Methacrylat	1	0,007	1,5
02CPU01	CPU-Träger, mattes Methacrylat	1	0,14	5,5



NORI ALUcompact® / PURE-WHITE / FENIX-NTM®

Erweiterbar - Tiefe 90 cm

Ausführung der Beine:

Eloxiertes Aluminium
 Weiß lackiertes Aluminium (farbähnlich wie RAL 9016)
 "Alucompact® Sandgrau" lackiertes Aluminium (farbähnlich wie RAL 9002)
 "Alucompact® Anthrazitgrau" lackiertes Aluminium (farbähnlich wie RAL 7015)
 Schwarz lackiertes Aluminium (farbähnlich wie RAL 9004)
 Olivgrün lackiertes Aluminium (farbähnlich wie "Polyurethan Olivgrün P008")

Ausführung der Platte/Verlängerungen:

Laminat Alucompact® (Weiß, Sandgrau, Anthrazitgrau, Schwarz)

 Laminat Pure-white Weiß

 Fenix-NTM® mit schwarzer Kante (Weiß Kos 0032, Grau London 0718, Grau Bromo 0724, Schwarz Ingo 0720)

 Fenix-NTM® mit farbiger Kante (Weiß Kos 0032, Grau London 0718)

Anmerkung:

Bei den Tischen, deren Artikelnummern mit Sternchen (*) markiert sind, ist das Hinzufügen einer dritten Verlängerung möglich, wodurch der Tisch noch größer wird.

Achtung: Die mit (!) gekennzeichneten Maße oder Ausführungen haben eine längere Produktionszeit: zirka 6 Wochen ab Auftragsdatum.

Für verstärkte Verpackungen siehe Innenseite des Umschlags.

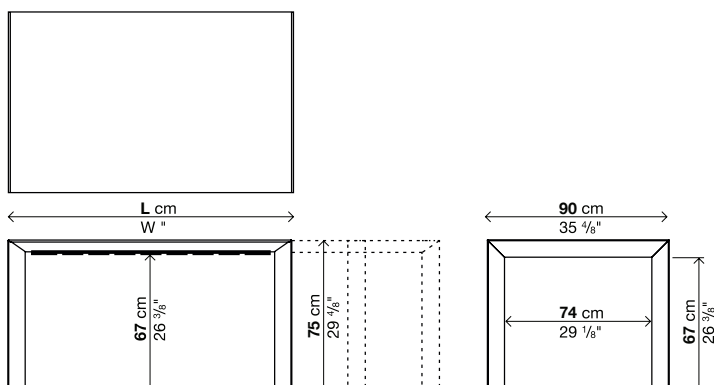
Art.-Nr.	Länge	Beine	Platte				kolli	m³	Kg
			Alucompact®	Fenix-NTM® mit schwarzer Kante	Pure-white	Fenix-NTM® mit farbiger Kante			
01NOR03	139-176-214	Aluminium					3	0,41	71
		Lackiert							
01NOR04	166-203-241-278 dritte Verlängerung standard	Aluminium					4	0,5	81
		Lackiert							
01NOR08*	189-226-263	Aluminium					3	0,51	82
		Lackiert							
01NOR30*	209-246-283	Aluminium					3	0,55	88
		Lackiert							

(*) 3. zusätzliche Verlängerung

Art.-Nr.	Länge	Platte				kolli	m³	Kg
		Alucompact®	Fenix-NTM® mit schwarzer Kante	Pure-white	Fenix-NTM® mit farbiger Kante			
50SUS2A	37,5 cm					1	0,03	6,5

Optionen

Art.-Nr.	Beschreibung	kolli	m³	Kg
02GTA02	Zuschnitt der Beine nach Maß	-	-	-



NORI ALUCOMPACT® / PURE-WHITE / FENIX-NTM®

Fixmaße - Tiefe 90 cm

Ausführung der Beine:

Eloxiertes Aluminium
 Weiß lackiertes Aluminium (farbähnlich wie RAL 9016)
 "Alucompact® Sandgrau" lackiertes Aluminium (farbähnlich wie RAL 9002)
 "Alucompact® Anthrazitgrau" lackiertes Aluminium (farbähnlich wie RAL 7015)
 Schwarz lackiertes Aluminium (farbähnlich wie RAL 9004)
 Olivgrün lackiertes Aluminium (farbähnlich wie "Polyurethan Olivgrün P008")

Ausführung der Platte:

Laminat Alucompact® (Weiß, Sandgrau, Anthrazitgrau, Schwarz)

 Laminat Pure-white Weiß

 Fenix-NTM® mit schwarzer Kante (Weiß Kos 0032, Grau London 0718, Grau Bromo 0724, Schwarz Ingo 0720)

 Fenix-NTM® mit farbiger Kante (Weiß Kos 0032, Grau London 0718)

Anmerkung:

Achtung: Die mit (!) gekennzeichneten Maße oder Ausführungen haben eine längere Produktionszeit: zirka 6 Wochen ab Auftragsdatum.

Jene Tische, die im ausgezogenen Zustand eine Länge von 250 cm überschreiten, weisen eine leichte Biegung der Platte auf, die jedoch innerhalb der festgelegten qualitativen Standards liegt.

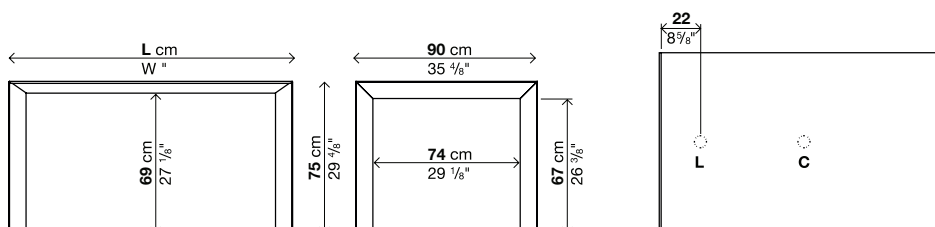
Die Tische mit Länge 269 und 289 cm besitzen unter der Platte eine zentrale Längsstrebe, eventuelle Kabeldurchlässe können daher nicht in der Mitte, sondern nur leicht versetzt angebracht werden.

Für verstärkte Verpackungen siehe Innenseite des Umschlags.

Art.-Nr.	Länge	Beine	Platte				kolli	m ³	Kg
			Alucompact®	Fenix-NTM® mit schwarzer Kante	Pure-white	Fenix-NTM® mit farbiger Kante			
01NOR51F	114	Aluminium		-		-	1	0,3	41
		Lackiert		-		-			
01NOR03F	139	Aluminium					1	0,36	46
		Lackiert							
01NOR04F	166	Aluminium					1	0,42	52
		Lackiert							
01NOR53F	189	Aluminium					1	0,46	57
		Lackiert							
01NOR30F	209	Aluminium					1	0,5	62
		Lackiert							
01NOR55F	229 (!)	Aluminium		-		-	1	0,55	66
		Lackiert		-		-			
01NOR57F	249 (!)	Aluminium		-		-	1	0,59	71
		Lackiert		-		-			
01NOR59F	269 (!)	Aluminium		-		-	1	0,63	79
		Lackiert		-		-			
01NOR61F	289 (!)	Aluminium		-		-	1	0,67	85
		Lackiert		-		-			

Optionen

Art.-Nr.	Beschreibung	kolli	m ³	Kg
02GTA02	Zuschnitt der Beine nach Maß	-	-	-
02FOR01	Seittlicher oder mittlerer Kabeldurchlass	-	-	-
02RET02	Kabelnetz, Kunststoffmaterial	1	0,07	1
02VER01	Kabelschlange, mattes Methacrylat	1	0,007	1,5
02CPU02	CPU-Träger, mattes Methacrylat	1	0,14	5,5



NORI ALUcompact® / PURE-WHITE / FENIX-NTM®

Erweiterbar - Tiefe 100 cm

Ausführung der Beine:

Eloxiertes Aluminium
 Weiß lackiertes Aluminium (farbähnlich wie RAL 9016)
 "Alucompact® Sandgrau" lackiertes Aluminium (farbähnlich wie RAL 9002)
 "Alucompact® Anthrazitgrau" lackiertes Aluminium (farbähnlich wie RAL 7015)
 Schwarz lackiertes Aluminium (farbähnlich wie RAL 9004)
 Olivgrün lackiertes Aluminium (farbähnlich wie "Polyurethan Olivgrün P008")

Ausführung der Platte/Verlängerungen:

Laminat Alucompact® (Weiß, Sandgrau, Anthrazitgrau, Schwarz)

 Laminat Pure-white Weiß

 Fenix-NTM® mit schwarzer Kante (Weiß Kos 0032, Grau London 0718, Grau Bromo 0724, Schwarz Ingo 0720)

 Fenix-NTM® mit farbiger Kante (Weiß Kos 0032, Grau London 0718)

Anmerkung:

Bei den Tischen, deren Artikelnummern mit Sternchen (*) markiert sind, ist das Hinzufügen einer dritten Verlängerung möglich, wodurch der Tisch noch größer wird.

Achtung: Die mit (!) gekennzeichneten Maße oder Ausführungen haben eine längere Produktionszeit: zirka 6 Wochen ab Auftragsdatum.

Für verstärkte Verpackungen siehe Innenseite des Umschlags.

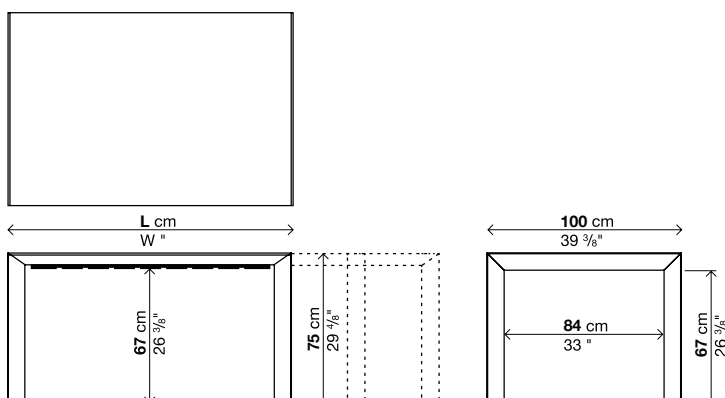
Art.-Nr.	Länge	Beine	Platte				kolli	m³	Kg
			Alucompact®	Fenix-NTM® mit schwarzer Kante	Pure-white	Fenix-NTM® mit farbiger Kante			
01NOR05	166-213-260	Aluminium					3	0,52	85
		Lackiert							
01NOR09*	189-236-283	Aluminium					3	0,57	92
		Lackiert							
01NOR06*	209-256-303	Aluminium					3	0,62	98
		Lackiert							

(*) 3. zusätzliche Verlängerung

Art.-Nr.	Länge	Platte				kolli	m³	Kg
		Alucompact®	Fenix-NTM® mit schwarzer Kante	Pure-white	Fenix-NTM® mit farbiger Kante			
50SUS6A	33 cm					1	0,03	6

Optionen

Art.-Nr.	Beschreibung	kolli	m³	Kg
02GTA02	Zuschnitt der Beine nach Maß	-	-	-



NORI ALUCOMPACT® / PURE-WHITE / FENIX-NTM®

Fixmaße - Tiefe 100 cm

Ausführung der Beine:

Eloxiertes Aluminium

Weiß lackiertes Aluminium (farbähnlich wie RAL 9016)

"Alucompact® Sandgrau" lackiertes Aluminium (farbähnlich wie RAL 9002)

"Alucompact® Anthrazitgrau" lackiertes Aluminium (farbähnlich wie RAL 7015)

Schwarz lackiertes Aluminium (farbähnlich wie RAL 9004)

Olivgrün lackiertes Aluminium (farbähnlich wie "Polyurethan Olivgrün P008")

Ausführung der Platte:

Laminat Alucompact® (Weiß, Sandgrau, Anthrazitgrau, Schwarz)

Laminat Pure-white Weiß

Fenix-NTM® mit schwarzer Kante (Weiß Kos 0032, Grau London 0718, Grau Bromo 0724, Schwarz Ingo 0720)

Fenix-NTM® mit farbiger Kante (Weiß Kos 0032, Grau London 0718)

Anmerkung:

Achtung: Die mit (!) gekennzeichneten Maße oder Ausführungen haben eine längere Produktionszeit: zirka 6 Wochen ab Auftragsdatum.

Jene Tische, die im ausgezogenen Zustand eine Länge von 250 cm überschreiten, weisen eine leichte Biegung der Platte auf, die jedoch innerhalb der festgelegten qualitativen Standards liegt.

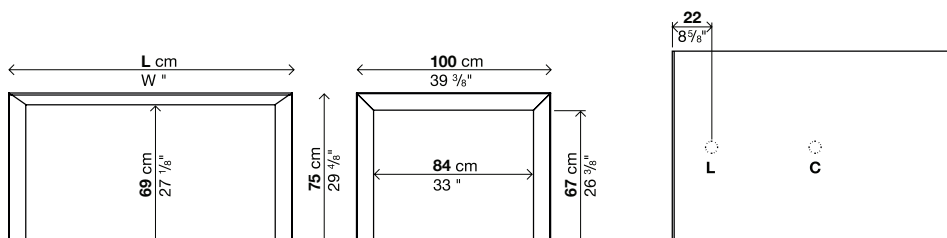
Die Tische mit Länge 269 und 289 cm besitzen unter der Platte eine zentrale Längsstrebe, eventuelle Kabeldurchlässe können daher nicht in der Mitte, sondern nur leicht versetzt angebracht werden.

Für verstärkte Verpackungen siehe Innenseite des Umschlags.

Art.-Nr.	Länge	Beine	Platte				kolli	m ²	Kg
			Alucompact®	Fenix-NTM® mit schwarzer Kante	Pure-white	Fenix-NTM® mit farbiger Kante			
01NOR65F	139	Aluminium		-		-	1	0,39	50
		Lackiert		-		-			
01NOR05F	166	Aluminium					1	0,45	56
		Lackiert							
01NOR07F	189	Aluminium					1	0,5	62
		Lackiert							
01NOR06F	209	Aluminium					1	0,55	67
		Lackiert							
01NOR08F	229 (!)	Aluminium		-		-	1	0,6	72
		Lackiert		-		-			
01NOR67F	249 (!)	Aluminium		-		-	1	0,65	77
		Lackiert		-		-			
01NOR69F	269 (!)	Aluminium		-		-	1	0,69	85
		Lackiert		-		-			
01NOR32F	289 (!)	Aluminium		-		-	1	0,74	90
		Lackiert		-		-			

Optionen

Art.-Nr.	Beschreibung	kolli	m ²	Kg
02GTA02	Zuschnitt der Beine nach Maß	-	-	-
02FOR01	Seitlicher oder mittlerer Kabeldurchlass	-	-	-
02RET03	Kabelnetz, Kunststoffmaterial	1	0,07	1
02VER01	Kabelschlange, mattes Methacrylat	1	0,007	1,5
02CPU03	CPU-Träger, mattes Methacrylat	1	0,14	5,5



NORI ALUcompact® / PURE-WHITE

Fixmaße - Tiefe 124 cm

Ausführung der Beine:

Eloxiertes Aluminium
 Weiß lackiertes Aluminium (farbähnlich wie RAL 9016)
 "Alucompact® Sandgrau" lackiertes Aluminium (farbähnlich wie RAL 9002)
 "Alucompact® Anthrazitgrau" lackiertes Aluminium (farbähnlich wie RAL 7015)
 Schwarz lackiertes Aluminium (farbähnlich wie RAL 9004)
 Olivgrün lackiertes Aluminium (farbähnlich wie "Polyurethan Olivgrün P008")

Ausführung der Platte:

Laminat Alucompact® (Weiß, Sandgrau, Anthrazitgrau, Schwarz)

Laminat Pure-white Weiß

Anmerkung:

Achtung: Die mit (!) gekennzeichneten Maße oder Ausführungen haben eine längere Produktionszeit: zirka 6 Wochen ab Auftragsdatum.

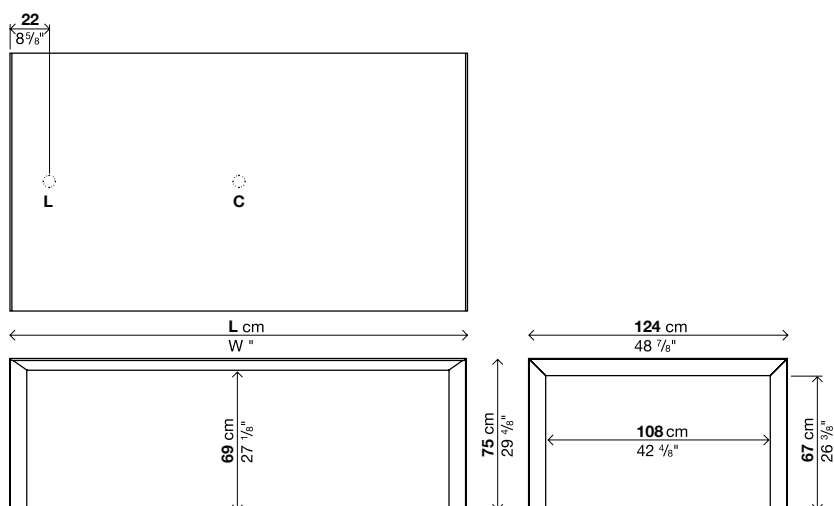
Jene Tische, die im ausgezogenen Zustand eine Länge von 250 cm überschreiten, weisen eine leichte Biegung der Platte auf, die jedoch innerhalb der festgelegten qualitativen Standards liegt.

Für verstärkte Verpackungen siehe Innenseite des Umschlags.

Art.-Nr.	Länge	Beine	Platte		kolli	m³	Kg
			Alucompact®	Pure-white			
01NOR71F	209 (!)	Aluminium			1	0,66	86
		Lackiert					
01NOR73F	229 (!)	Aluminium			1	0,72	92
		Lackiert					
01NOR75F	277 (!)	Aluminium			1	0,85	108
		Lackiert					

Optionen

Art.-Nr.	Beschreibung	kolli	m³	Kg
02GTA02	Zuschnitt der Beine nach Maß	-	-	-
02FOR01	Seitlicher oder mittlerer Kabeldurchlass	-	-	-
02RET04	Kabelnetz, Kunststoffmaterial	1	0,07	1
02VER01	Kabelschlange, mattes Methacrylat	1	0,007	1,5
02CPU04	CPU-Träger, mattes Methacrylat	1	0,14	5,5



NORI DEKTON® BY COSENTINO

Erweiterbar - Tiefe 90 cm

Ausführung der Beine:

Eloxiertes Aluminium
 Weiß lackiertes Aluminium (farbähnlich wie RAL 9016)
 "Grau Ventus" lackiertes Aluminium
 Olivgrün lackiertes Aluminium (farbähnlich wie "Polyurethan Olivgrün PO08")

Ausführung der Platte:

DEKTON® weiß Zenith
 DEKTON® Grau Ventus
 DEKTON® Aura (digitaler Marmor)

Ausführung der Verlängerungen:

Weiß lackiertes Aluminium (farbähnlich wie RAL 9016)
 "Grau Ventus" lackiertes Aluminium

Anmerkung:

Achtung: Die auf der Oberfläche der Platten aus DEKTON® Aura (digitaler Marmor) nachgebildeten Aderungen werden auf zufällige Art und Weise angebracht, eine Besonderheit, die jede Platte einzigartig und unwiederholbar macht. Dieses Merkmal führt zu eventuellen Unterschieden bei den Mustern, kann jedoch nicht als Imperfektion oder Anomalie beanstandet werden. Aufgrund der gewollten Zufälligkeit ist auch auf Anfrage keine Erzeugung einer mehr oder weniger gleichmäßigen Aderung möglich.

Achtung: Die mit (!) gekennzeichneten Maße oder Ausführungen haben eine längere Produktionszeit: zirka 6 Wochen ab Auftragsdatum.

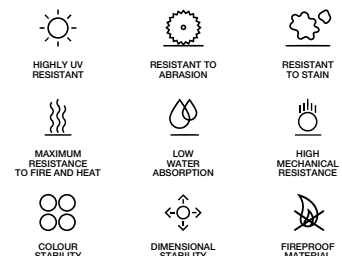
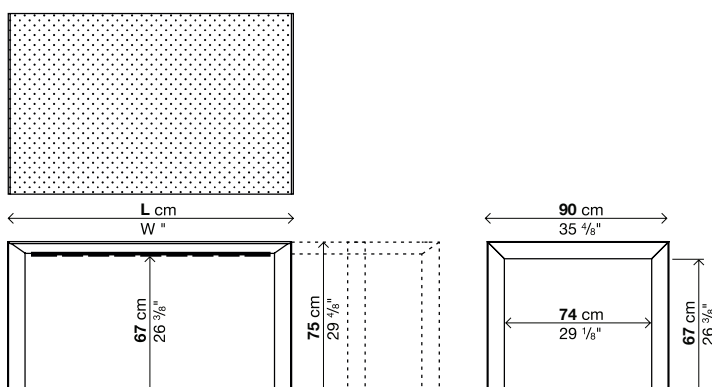
Jene Tische, die im ausgezogenen Zustand eine Länge von 250 cm überschreiten, weisen eine leichte Biegung der Platte auf, die jedoch innerhalb der festgelegten qualitativen Standards liegt.

Für verstärkte Verpackungen siehe Innenseite des Umschlags.

Art.-Nr.	Länge	Beine	Platte	kolli	m ²	Kg
			DEKTON®			
01NOR03	139-176-214	Aluminium		3	0,41	89
		Lackiert				
01NOR04	166-203-241	Aluminium		3	0,5	102
		Lackiert				
01NOR08	189-226-263	Aluminium		3	0,51	105
		Lackiert				

Optionen

Art.-Nr.	Beschreibung	kolli	m ²	Kg
02GTA02	Zuschnitt der Beine nach Maß	-	-	-



NORI DEKTON® BY COSENTINO

Fixmaße - Tiefe 90 cm

Ausführung der Beine:

Eloxiertes Aluminium
 Weiß lackiertes Aluminium (farbähnlich wie RAL 9016)
 "Grau Ventus" lackiertes Aluminium
 Olivgrün lackiertes Aluminium (farbähnlich wie "Polyurethan Olivgrün PO08")

Ausführung der Platte:

DEKTON® weiß Zenith
 DEKTON® Grau Ventus
 DEKTON® Aura (digitaler Marmor)

Anmerkung:

Achtung: Die auf der Oberfläche der Platten aus DEKTON® Aura (digitaler Marmor) nachgebildeten Aderungen werden auf zufällige Art und Weise angebracht, eine Besonderheit, die jede Platte einzigartig und unwiederholbar macht. Dieses Merkmal führt zu eventuellen Unterschieden bei den Mustern, kann jedoch nicht als Imperfektion oder Anomalie beanstandet werden. Aufgrund der gewollten Zufälligkeit ist auch auf Anfrage keine Erzeugung einer mehr oder weniger gleichmäßigen Aderung möglich.

Achtung: Die mit (!) gekennzeichneten Maße oder Ausführungen haben eine längere Produktionszeit: zirka 6 Wochen ab Auftragsdatum.

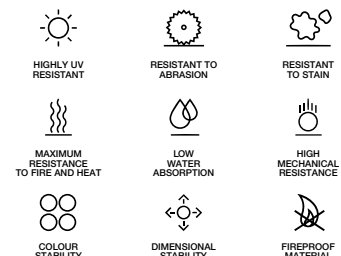
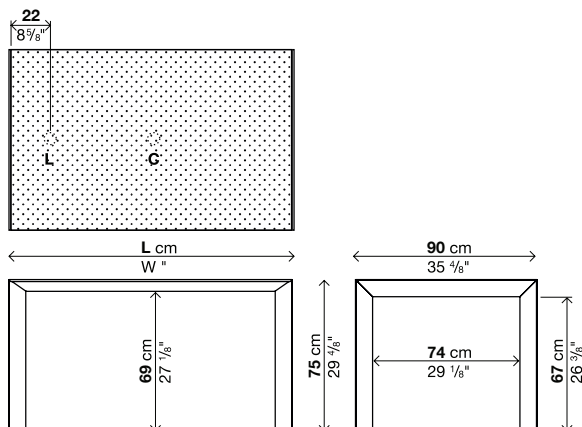
Jene Tische, die im ausgezogenen Zustand eine Länge von 250 cm überschreiten, weisen eine leichte Biegung der Platte auf, die jedoch innerhalb der festgelegten qualitativen Standards liegt.

Für verstärkte Verpackungen siehe Innenseite des Umschlags.

Art.-Nr.	Länge	Beine	Platte		kolli	m ²	Kg
				DEKTON®			
01NOR03F	139 (!)	Aluminium			1	0,36	60
		Lackiert					
01NOR04F	166 (!)	Aluminium			1	0,42	69
		Lackiert					
01NOR53F	189 (!)	Aluminium			1	0,46	76
		Lackiert					

Optionen

Art.-Nr.	Beschreibung	kolli	m ²	Kg
02GTA02	Zuschnitt der Beine nach Maß	-	-	-
02RET02	Kabelnetz, Kunststoffmaterial	1	0,07	1
02VER01	Kabelschlange, mattes Methacrylat	1	0,007	1,5
02CPU02	CPU-Träger, mattes Methacrylat	1	0,14	5,5



NORI DEKTON® BY COSENTINO

Erweiterbar - Tiefe 100 cm

Ausführung der Beine:

Eloxiertes Aluminium
 Weiß lackiertes Aluminium (farbähnlich wie RAL 9016)
 "Grau Ventus" lackiertes Aluminium
 Olivgrün lackiertes Aluminium (farbähnlich wie "Polyurethan Olivgrün PO08")

Ausführung der Platte:

DEKTON® weiß Zenith
 DEKTON® Grau Ventus
 DEKTON® Aura (digitaler Marmor)

Ausführung der Verlängerungen:

Weiß lackiertes Aluminium (farbähnlich wie RAL 9016)
 "Grau Ventus" lackiertes Aluminium

Anmerkung:

Achtung: Die auf der Oberfläche der Platten aus DEKTON® Aura (digitaler Marmor) nachgebildeten Aderungen werden auf zufällige Art und Weise angebracht, eine Besonderheit, die jede Platte einzigartig und unwiederholbar macht. Dieses Merkmal führt zu eventuellen Unterschieden bei den Mustern, kann jedoch nicht als Imperfektion oder Anomalie beanstandet werden. Aufgrund der gewollten Zufälligkeit ist auch auf Anfrage keine Erzeugung einer mehr oder weniger gleichmäßigen Aderung möglich.

Achtung: Die mit (!) gekennzeichneten Maße oder Ausführungen haben eine längere Produktionszeit: zirka 6 Wochen ab Auftragsdatum.

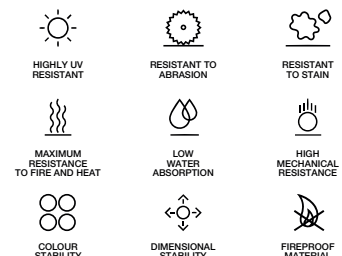
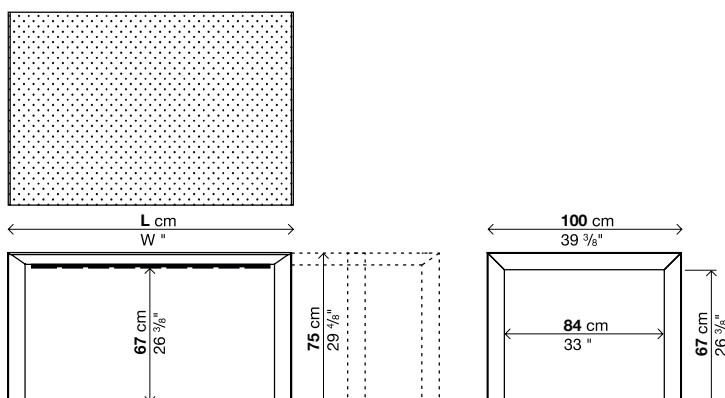
Jene Tische, die im ausgezogenen Zustand eine Länge von 250 cm überschreiten, weisen eine leichte Biegung der Platte auf, die jedoch innerhalb der festgelegten qualitativen Standards liegt.

Für verstärkte Verpackungen siehe Innenseite des Umschlags.

Art.-Nr.	Länge	Beine	Platte		kolli	m ²	Kg
			DEKTON®				
01NOR05	166-203-240 (!)	Aluminium			3	0,52	108
		Lackiert					
01NOR09	189-226-263 (!)	Aluminium			3	0,57	118
		Lackiert					

Optionen

Art.-Nr.	Beschreibung	kolli	m ²	Kg
02GTA02	Zuschnitt der Beine nach Maß	-	-	-



NORI DEKTON® BY COSENTINO

Fixmaße - Tiefe 100 cm

Ausführung der Beine:

Eloxiertes Aluminium
 Weiß lackiertes Aluminium (farbähnlich wie RAL 9016)
 "Grau Ventus" lackiertes Aluminium
 Olivgrün lackiertes Aluminium (farbähnlich wie "Polyurethan Olivgrün PO08")

Ausführung der Platte:

DEKTON® weiß Zenith
 DEKTON® Grau Ventus
 DEKTON® Aura (digitaler Marmor)

Anmerkung:

Achtung: Die auf der Oberfläche der Platten aus DEKTON® Aura (digitaler Marmor) nachgebildeten Aderungen werden auf zufällige Art und Weise angebracht, eine Besonderheit, die jede Platte einzigartig und unwiederholbar macht. Dieses Merkmal führt zu eventuellen Unterschieden bei den Mustern, kann jedoch nicht als Imperfektion oder Anomalie beanstandet werden. Aufgrund der gewollten Zufälligkeit ist auch auf Anfrage keine Erzeugung einer mehr oder weniger gleichmäßigen Aderung möglich.

Achtung: Die mit (!) gekennzeichneten Maße oder Ausführungen haben eine längere Produktionszeit: zirka 6 Wochen ab Auftragsdatum.

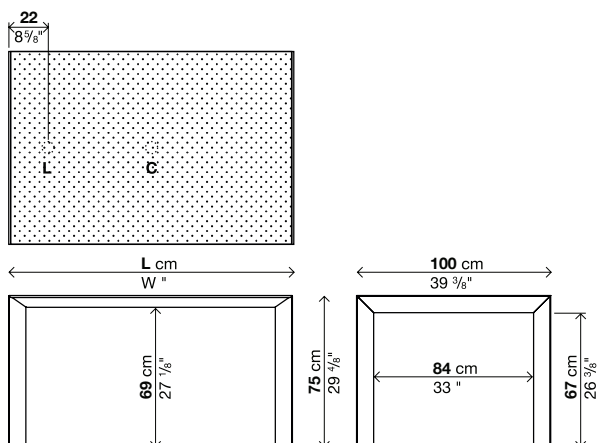
Jene Tische, die im ausgezogenen Zustand eine Länge von 250 cm überschreiten, weisen eine leichte Biegung der Platte auf, die jedoch innerhalb der festgelegten qualitativen Standards liegt.

Für verstärkte Verpackungen siehe Innenseite des Umschlags.

Art.-Nr.	Länge	Beine	Platte		kolli	m³	Kg
				DEKTON®			
01NOR05F	166 (!)	Aluminium			1	0,45	74
		Lackiert					
01NOR07F	189 (!)	Aluminium			1	0,5	83
		Lackiert					
01NOR08F	229 (!)	Aluminium			1	0,6	97
		Lackiert					
01NOR69F	269 (!)	Aluminium			1	0,69	115
		Lackiert					

Optionen

Art.-Nr.	Beschreibung	kolli	m³	Kg
02GTA02	Zuschnitt der Beine nach Maß	-	-	-
02RET03	Kabelnetz, Kunststoffmaterial	1	0,07	1
02VER01	Kabelschlange, mattes Methacrylat	1	0,007	1,5
02CPU03	CPU-Träger, mattes Methacrylat	1	0,14	5,5



NORI HOLZ

Erweiterbar - Tiefe 90 cm

Ausführung der Beine:

Eloxiertes Aluminium
 Weiß lackiertes Aluminium (farbähnlich wie RAL 9016)
 "Alucompact® Sandgrau" lackiertes Aluminium (farbähnlich wie RAL 9002)
 "Alucompact® Anthrazitgrau" lackiertes Aluminium (farbähnlich wie RAL 7015)
 Lackiertes Aluminium "Fenix-NTM® Grau London" (farbähnlich wie RAL Design0805005)
 Schwarz lackiertes Aluminium (farbähnlich wie RAL 9004)
 Olivgrün lackiertes Aluminium (farbähnlich wie "Polyurethan Olivgrün P008")

Ausführung der Platte/Verlängerungen:

Holz, Effekt europäische Eiche
 Holz, Effekt Nussbaum
 Holz, Effekt Eiche Farbe Schwarz

Anmerkung:

Achtung: Die mit (!) gekennzeichneten Maße oder Ausführungen haben eine längere Produktionszeit: zirka 6 Wochen ab Auftragsdatum.

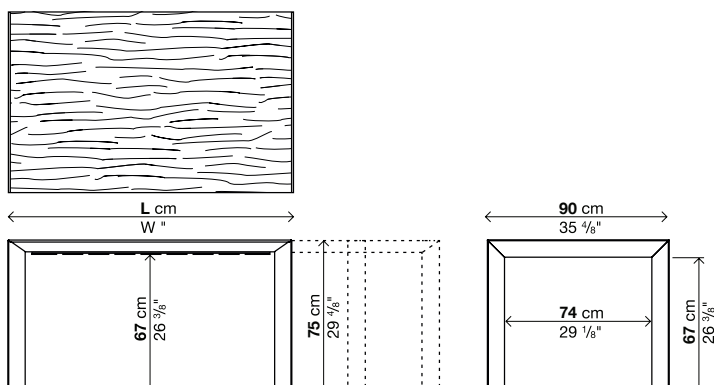
Jene Tische, die im ausgezogenen Zustand eine Länge von 250 cm überschreiten, weisen eine leichte Biegung der Platte auf, die jedoch innerhalb der festgelegten qualitativen Standards liegt.

Für verstärkte Verpackungen siehe Innenseite des Umschlags.

Art.-Nr.	Länge	Beine	Platte	kolli	m ²	Kg
			Holz			
01NOR04	166-201-236-271 mit drei Verlängerungen	Aluminium		4	0,5	81
		Lackiert				
01NOR08	189-224-259-294 mit drei Verlängerungen	Aluminium		4	0,53	88,5
		Lackiert				
01NOR30	209-253-297 (!) mit zwei Verlängerungen	Aluminium		3	0,55	88
		Lackiert				

Optionen

Art.-Nr.	Beschreibung	kolli	m ²	Kg
02GTA02	Zuschnitt der Beine nach Maß	-	-	-



NORI HOLZ

Fixmaße - Tiefe 90 cm

Ausführung der Beine:

Eloxiertes Aluminium

Weiß lackiertes Aluminium (farbähnlich wie RAL 9016)

"Alucompact® Sandgrau" lackiertes Aluminium (farbähnlich wie RAL 9002)

"Alucompact® Anthrazitgrau" lackiertes Aluminium (farbähnlich wie RAL 7015)

Lackiertes Aluminium "Fenix-NTM® Grau London" (farbähnlich wie RAL Design0805005)

Schwarz lackiertes Aluminium (farbähnlich wie RAL 9004)

Olivgrün lackiertes Aluminium (farbähnlich wie "Polyurethan Olivgrün P008")

Ausführung der Platte:

Holz, Effekt europäische Eiche

Holz, Effekt Nussbaum

Holz, Effekt Eiche Farbe Schwarz

Anmerkung:

Achtung: Die mit (!) gekennzeichneten Maße oder Ausführungen haben eine längere Produktionszeit: zirka 6 Wochen ab Auftragsdatum.

Jene Tische, die im ausgezogenen Zustand eine Länge von 250 cm überschreiten, weisen eine leichte Biegung der Platte auf, die jedoch innerhalb der festgelegten qualitativen Standards liegt.

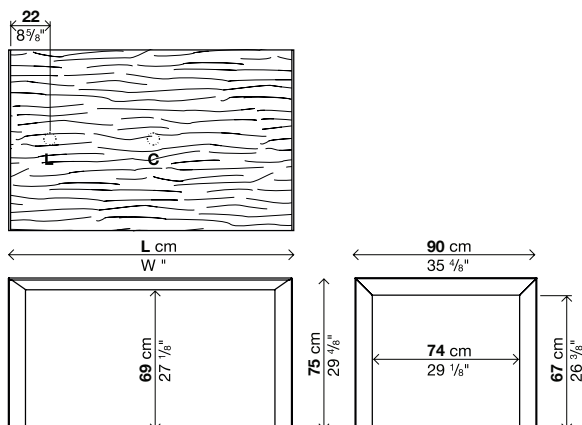
Die Tische mit Länge 269 und 289 cm besitzen unter der Platte eine zentrale Längsstrebe, eventuelle Kabeldurchlässe können daher nicht in der Mitte, sondern nur leicht versetzt angebracht werden.

Für verstärkte Verpackungen siehe Innenseite des Umschlags.

Art.-Nr.	Länge	Beine	Platte		kolli	m³	Kg
				Holz			
01NOR53F	189	Aluminium			1	0,46	57
		Lackiert					
01NOR30F	209 (!)	Aluminium			1	0,5	62
		Lackiert					
01NOR55F	229 (!)	Aluminium			1	0,55	66
		Lackiert					
01NOR57F	249 (!)	Aluminium			1	0,59	71
		Lackiert					
01NOR59F	269 (!)	Aluminium			1	0,63	79
		Lackiert					
01NOR61F	289 (!)	Aluminium			1	0,67	85
		Lackiert					

Optionen

Art.-Nr.	Beschreibung	kolli	m³	Kg
02GTA02	Zuschnitt der Beine nach Maß	-	-	-
02FOR01	Seittlicher oder mittlerer Kabeldurchlass	-	-	-
02RET02	Kabelnetz, Kunststoffmaterial	1	0,07	1
02VER01	Kabelschlange, mattes Methacrylat	1	0,007	1,5
02CPU02	CPU-Träger, mattes Methacrylat	1	0,14	5,5



NORI HOLZ

Erweiterbar - Tiefe 100 cm

Ausführung der Beine:

- Eloxiertes Aluminium
- Weiß lackiertes Aluminium (farbähnlich wie RAL 9016)
- "Alucompact® Sandgrau" lackiertes Aluminium (farbähnlich wie RAL 9002)
- "Alucompact® Anthrazitgrau" lackiertes Aluminium (farbähnlich wie RAL 7015)
- Lackiertes Aluminium "Fenix-NTM® Grau London" (farbähnlich wie RAL Design0805005)
- Schwarz lackiertes Aluminium (farbähnlich wie RAL 9004)
- Olivgrün lackiertes Aluminium (farbähnlich wie "Polyurethan Olivgrün P008")

Ausführung der Platte/Verlängerungen:

- Holz, Effekt europäische Eiche
- Holz, Effekt Nussbaum
- Holz, Effekt Eiche Farbe Schwarz

Anmerkung:

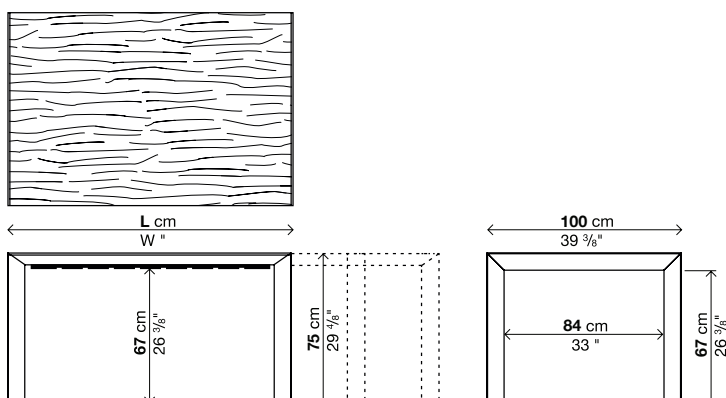
Jene Tische, die im ausgezogenen Zustand eine Länge von 250 cm überschreiten, weisen eine leichte Biegung der Platte auf, die jedoch innerhalb der festgelegten qualitativen Standards liegt.

Für verstärkte Verpackungen siehe Innenseite des Umschlags.

Art.-Nr.	Länge	Beine	Platte	kolli	m³	Kg
			Holz			
01NOR05	166-201-236-271 mit drei Verlängerungen	Aluminium Lackiert		4	0,55	91
01NOR09	189-224-259-294 mit drei Verlängerungen	Aluminium Lackiert		4	0,6	98
01NOR06	209-253-297 mit zwei Verlängerungen	Aluminium Lackiert		3	0,62	98

Optionen

Art.-Nr.	Beschreibung	kolli	m³	Kg
02GTA02	Zuschnitt der Beine nach Maß	-	-	-



NORI HOLZ

Fixmaße - Tiefe 100 cm

Ausführung der Beine:

Eloxiertes Aluminium

Weiß lackiertes Aluminium (farbähnlich wie RAL 9016)

"Alucompact® Sandgrau" lackiertes Aluminium (farbähnlich wie RAL 9002)

"Alucompact® Anthrazitgrau" lackiertes Aluminium (farbähnlich wie RAL 7015)

Lackiertes Aluminium "Fenix-NTM® Grau London" (farbähnlich wie RAL Design0805005)

Schwarz lackiertes Aluminium (farbähnlich wie RAL 9004)

Olivgrün lackiertes Aluminium (farbähnlich wie "Polyurethan Olivgrün P008")

Ausführung der Platte:

Holz, Effekt europäische Eiche

Holz, Effekt Nussbaum

Holz, Effekt Eiche Farbe Schwarz

Anmerkung:

Achtung: Die mit (!) gekennzeichneten Maße oder Ausführungen haben eine längere Produktionszeit: zirka 6 Wochen ab Auftragsdatum.

Jene Tische, die im ausgezogenen Zustand eine Länge von 250 cm überschreiten, weisen eine leichte Biegung der Platte auf, die jedoch innerhalb der festgelegten qualitativen Standards liegt.

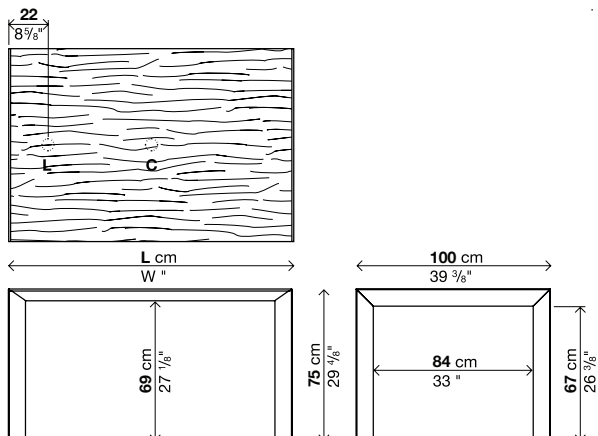
Die Tische mit Länge 269 und 289 cm besitzen unter der Platte eine zentrale Längsstrebe, eventuelle Kabeldurchlässe können daher nicht in der Mitte, sondern nur leicht versetzt angebracht werden.

Für verstärkte Verpackungen siehe Innenseite des Umschlags.

Art.-Nr.	Länge	Beine	Platte		kolli	m³	Kg
				Holz			
01NOR07F	189	Aluminium			1	0,5	62
		Lackiert					
01NOR06F	209	Aluminium			1	0,55	67
		Lackiert					
01NOR08F	229 (!)	Aluminium			1	0,6	72
		Lackiert					
01NOR67F	249 (!)	Aluminium			1	0,65	77
		Lackiert					
01NOR69F	269 (!)	Aluminium			1	0,69	85
		Lackiert					
01NOR32F	289 (!)	Aluminium			1	0,74	90
		Lackiert					

Optionen

Art.-Nr.	Beschreibung	kolli	m³	Kg
02GTA02	Zuschnitt der Beine nach Maß	-	-	-
02FOR01	Seitlicher oder mittlerer Kabeldurchlass	-	-	-
02RET02	Kabelnetz, Kunststoffmaterial	1	0,07	1
02VER01	Kabelschlange, mattes Methacrylat	1	0,007	1,5
02CPU03	CPU-Träger, mattes Methacrylat	1	0,14	5,5



NORI GLAS

Erweiterbar - Tiefe 80 cm

Ausführung der Beine:

Eloxiertes Aluminium

Weiß lackiertes Aluminium (farbähnlich wie RAL 9016)

Schwarz lackiertes Aluminium (farbähnlich wie RAL 9004)

Ausführung der Platte:

Glas hochglanz in den Farben: Extraweiß, Anthrazit, Schwarz

Glas matt in den Farben: Extraweiß, Anthrazit, Schwarz, Titan

Ausführung der Verlängerungen:

Laminat Alucompact® Weiß

Laminat Alucompact® Sandgrau

Laminat Alucompact® Anthrazitgrau

Laminat Alucompact® Schwarz

Anmerkung:

Bei den Tischen, deren Artikelnummern mit Sternchen (*) markiert sind, ist das Hinzufügen einer dritten Verlängerung möglich, wodurch der Tisch noch größer wird.

Achtung: Die mit (!) gekennzeichneten Maße oder Ausführungen haben eine längere Produktionszeit: zirka 6 Wochen ab Auftragsdatum.

Jene Tische, die im ausgezogenen Zustand eine Länge von 250 cm überschreiten, weisen eine leichte Biegung der Platte auf, die jedoch innerhalb der festgelegten qualitativen Standards liegt.

Für verstärkte Verpackungen siehe Innenseite des Umschlags.

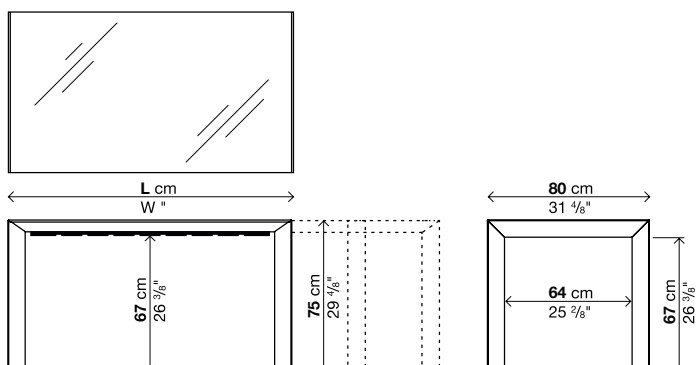
Art.-Nr.	Länge	Beine	Platte		kolli	m ²	Kg
			Glas hochglanz	Glas matt			
01NOR11	114-154-194	Aluminium			3	0,32	64
		Lackiert					
01NOR12	139-179-219	Aluminium			3	0,37	72
		Lackiert					
01NOR16*	166-206-246	Aluminium			3	0,42	79
		Lackiert					

(*) 3 zusätzliche Verlängerung

Art.-Nr.	Länge	Platte	kolli	m ²	Kg
		Alucompact®			
50SUS5A	33 cm		1	0,03	6

Optionen

Art.-Nr.	Beschreibung	kolli	m ²	Kg
02GTA02	Zuschnitt der Beine nach Maß	-	-	-



NORI GLAS

Fixmaße - Tiefe 80 cm

Ausführung der Beine:

Eloxiertes Aluminium

Weiß lackiertes Aluminium (farbähnlich wie RAL 9016)

Schwarz lackiertes Aluminium (farbähnlich wie RAL 9004)

Ausführung der Platte:

Glas hochglanz in den Farben: Extraweiß, Anthrazit, Schwarz

Glas matt in den Farben: Extraweiß, Anthrazit, Schwarz, Titan

Anmerkung:

Achtung: Die mit (!) gekennzeichneten Maße oder Ausführungen haben eine längere Produktionszeit: zirka 6 Wochen ab Auftragsdatum.

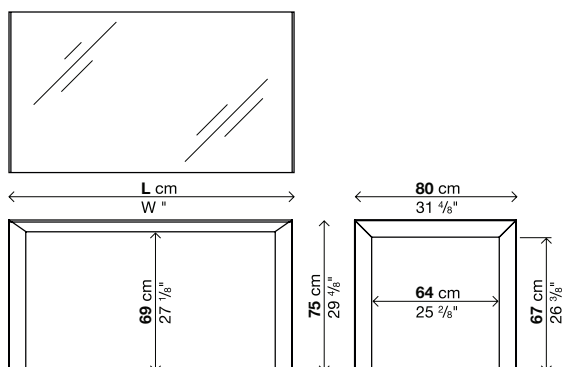
Jene Tische, die im ausgezogenen Zustand eine Länge von 250 cm überschreiten, weisen eine leichte Biegung der Platte auf, die jedoch innerhalb der festgelegten qualitativen Standards liegt.

Für verstärkte Verpackungen siehe Innenseite des Umschlags.

Art.-Nr.	Länge	Beine	Platte		koli m ³ Kg
			Glas hochglanz	Glas matt	
01NOR11F	114	Aluminium			1 0,27 44
		Lackiert			
01NOR12F	139	Aluminium			1 0,32 52
		Lackiert			
01NOR29F	166	Aluminium			1 0,37 58
		Lackiert			
01NOR34F	189	Aluminium			1 0,41 66
		Lackiert			
01NOR36F	209	Aluminium			1 0,45 72
		Lackiert			
01NOR38F	229 (!)	Aluminium			1 0,49 77
		Lackiert			
01NOR44F	249 (!)	Aluminium			1 0,53 83
		Lackiert			
01NOR46F	269 (!)	Aluminium			1 0,57 88
		Lackiert			
01NOR48F	289 (!)	Aluminium			1 0,61 94
		Lackiert			

Optionen

Art.-Nr.	Beschreibung	koli m ³ Kg
02GTA02	Zuschnitt der Beine nach Maß	- - -
02RET01	Kabelnetz, Kunststoffmaterial	1 0,07 1
02VER01	Kabelschlange, mattes Methacrylat	1 0,007 1,5
02CPU01	CPU-Träger, mattes Methacrylat	1 0,14 5,5



NORI GLAS

Erweiterbar - Tiefe 90 cm

Ausführung der Beine:

Eloxiertes Aluminium

Weiß lackiertes Aluminium (farbähnlich wie RAL 9016)

Schwarz lackiertes Aluminium (farbähnlich wie RAL 9004)

Ausführung der Platte:

Glas hochglanz in den Farben: Extraweiß, Anthrazit, Schwarz

Glas matt in den Farben: Extraweiß, Anthrazit, Schwarz, Titan

Ausführung der Verlängerungen:

Laminat Alucompact® Weiß

Laminat Alucompact® Sandgrau

Laminat Alucompact® Anthrazitgrau

Laminat Alucompact® Schwarz

Anmerkung:

Bei den Tischen, deren Artikelnummern mit Sternchen (*) markiert sind, ist das Hinzufügen einer dritten Verlängerung möglich, wodurch der Tisch noch größer wird.

Achtung: Die mit (!) gekennzeichneten Maße oder Ausführungen haben eine längere Produktionszeit: zirka 6 Wochen ab Auftragsdatum.

Jene Tische, die im ausgezogenen Zustand eine Länge von 250 cm überschreiten, weisen eine leichte Biegung der Platte auf, die jedoch innerhalb der festgelegten qualitativen Standards liegt.

Für verstärkte Verpackungen siehe Innenseite des Umschlags.

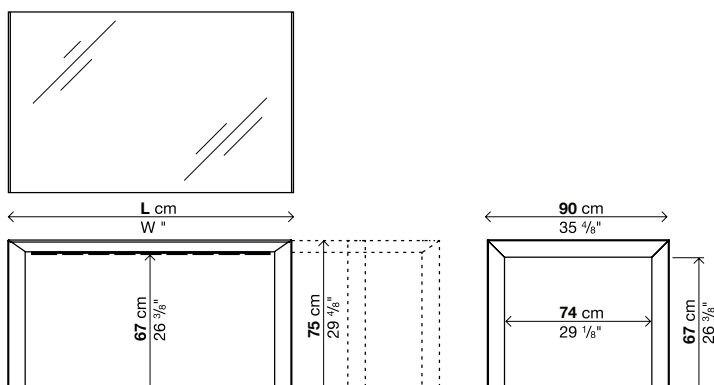
Art.-Nr.	Länge	Beine	Platte		kolli	m ²	Kg
			Glas hochglanz	Glas matt			
01NOR13	139-176-214	Aluminium			3	0,41	81
		Lackiert					
01NOR14	166-203-241-278 dritte Verlängerung standard	Aluminium			4	0,5	96
		Lackiert					
01NOR18*	189-226-263	Aluminium			3	0,51	98
		Lackiert					
01NOR40*	209-246-283	Aluminium			3	0,55	105
		Lackiert					

(* 3. zusätzliche Verlängerung

Art.-Nr.	Länge	Platte	kolli	m ²	Kg
		Alucompact®			
50SUS2A	37,5 cm		1	0,03	6,5

Optionen

Art.-Nr.	Beschreibung	kolli	m ²	Kg
02GTA02	Zuschnitt der Beine nach Maß	-	-	-



NORI GLAS

Fixmaße - Tiefe 90 cm

Ausführung der Beine:

Eloxiertes Aluminium

Weiß lackiertes Aluminium (farbähnlich wie RAL 9016)

Schwarz lackiertes Aluminium (farbähnlich wie RAL 9004)

Ausführung der Platte:

Glas hochglanz in den Farben: Extraweiß, Anthrazit, Schwarz

Glas matt in den Farben: Extraweiß, Anthrazit, Schwarz, Titan

Anmerkung:

Achtung: Die mit (!) gekennzeichneten Maße oder Ausführungen haben eine längere Produktionszeit: zirka 6 Wochen ab Auftragsdatum.

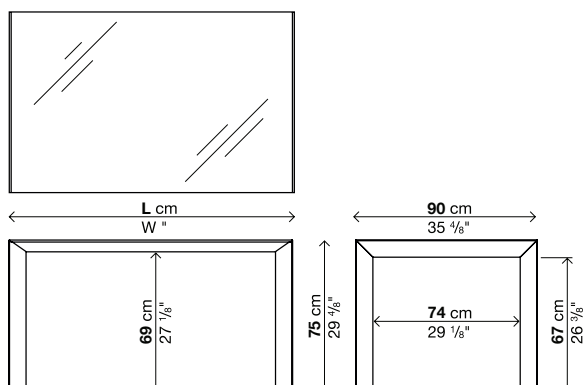
Jene Tische, die im ausgezogenen Zustand eine Länge von 250 cm überschreiten, weisen eine leichte Biegung der Platte auf, die jedoch innerhalb der festgelegten qualitativen Standards liegt.

Für verstärkte Verpackungen siehe Innenseite des Umschlags.

Art.-Nr.	Länge	Beine	Platte		kolli	m ³	Kg
			Glas hochglanz	Glas matt			
01NOR52F	114	Aluminium			1	0,3	51
		Lackiert					
01NOR13F	139	Aluminium			1	0,36	58
		Lackiert					
01NOR14F	166	Aluminium			1	0,42	67
		Lackiert					
01NOR54F	189	Aluminium			1	0,46	74
		Lackiert					
01NOR40F	209	Aluminium			1	0,5	80
		Lackiert					
01NOR56F	229 (!)	Aluminium			1	0,55	86
		Lackiert					
01NOR58F	249 (!)	Aluminium			1	0,59	92
		Lackiert					
01NOR60F	269 (!)	Aluminium			1	0,63	103
		Lackiert					
01NOR62F	289 (!)	Aluminium			1	0,67	109
		Lackiert					

Optionen

Art.-Nr.	Beschreibung	kolli	m ³	Kg
02GTA02	Zuschnitt der Beine nach Maß	-	-	-
02RET02	Kabelnetz, Kunststoffmaterial	1	0,07	1
02VER01	Kabelschlange, mattes Methacrylat	1	0,007	1,5
02CPU02	CPU-Träger, mattes Methacrylat	1	0,14	5,5



NORI GLAS

Erweiterbar - Tiefe 100 cm

Ausführung der Beine:

Eloxiertes Aluminium

Weiß lackiertes Aluminium (farbähnlich wie RAL 9016)

Schwarz lackiertes Aluminium (farbähnlich wie RAL 9004)

Ausführung der Platte:

Glas hochglanz in den Farben: Extraweiß, Anthrazit, Schwarz

Glas matt in den Farben: Extraweiß, Anthrazit, Schwarz, Titan

Ausführung der Verlängerungen:

Laminat Alucompact® Weiß

Laminat Alucompact® Sandgrau

Laminat Alucompact® Anthrazitgrau

Laminat Alucompact® Schwarz

Anmerkung:

Bei den Tischen, deren Artikelnummern mit Sternchen (*) markiert sind, ist das Hinzufügen einer dritten Verlängerung möglich, wodurch der Tisch noch größer wird.

Achtung: Die mit (!) gekennzeichneten Maße oder Ausführungen haben eine längere Produktionszeit: zirka 6 Wochen ab Auftragsdatum.

Jene Tische, die im ausgezogenen Zustand eine Länge von 250 cm überschreiten, weisen eine leichte Biegung der Platte auf, die jedoch innerhalb der festgelegten qualitativen Standards liegt.

Für verstärkte Verpackungen siehe Innenseite des Umschlags.

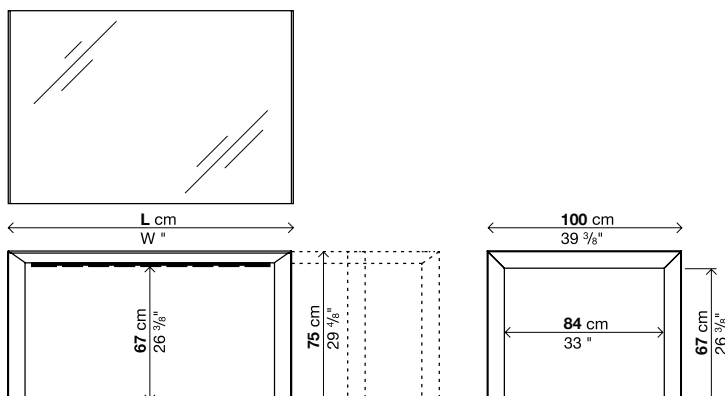
Art.-Nr.	Länge	Beine	Platte		kolli	m ²	Kg
			Glas hochglanz	Glas matt			
01NOR15*	166-213-260	Aluminium			3	0,52	101
		Lackiert					
01NOR19*	189-236-283	Aluminium			3	0,57	108
		Lackiert					
01NOR17*	209-256-303	Aluminium			3	0,62	118
		Lackiert					

(*) 3. zusätzliche Verlängerung

Art.-Nr.	Länge	Platte	kolli	m ²	Kg
		Alucompact®			
50SUS6A	33 cm		1	0,03	6

Optionen

Art.-Nr.	Beschreibung	kolli	m ²	Kg
02GTA02	Zuschnitt der Beine nach Maß	-	-	-



NORI GLAS

Fixmaße - Tiefe 100 cm

Ausführung der Beine:

Eloxiertes Aluminium

Weiß lackiertes Aluminium (farbähnlich wie RAL 9016)

Schwarz lackiertes Aluminium (farbähnlich wie RAL 9004)

Ausführung der Platte:

Glas hochglanz in den Farben: Extraweiß, Anthrazit, Schwarz

Glas matt in den Farben: Extraweiß, Anthrazit, Schwarz, Titan

Anmerkung:

Achtung: Die mit (!) gekennzeichneten Maße oder Ausführungen haben eine längere Produktionszeit: zirka 6 Wochen ab Auftragsdatum.

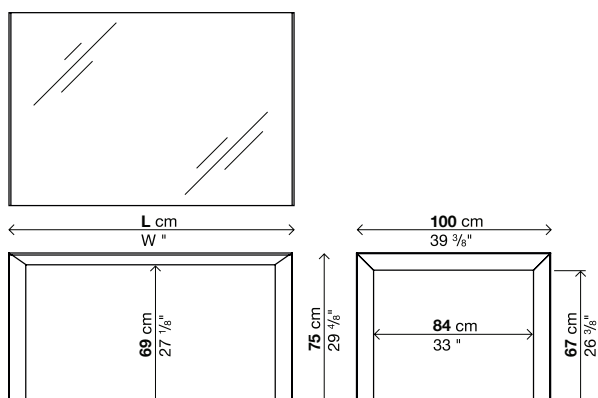
Jene Tische, die im ausgezogenen Zustand eine Länge von 250 cm überschreiten, weisen eine leichte Biegung der Platte auf, die jedoch innerhalb der festgelegten qualitativen Standards liegt.

Für verstärkte Verpackungen siehe Innenseite des Umschlags.

Art.-Nr.	Länge	Beine	Platte		kolli m³ Kg
			Glas hochglanz	Glas matt	
01NOR66F	139	Aluminium			1 0,39 63
		Lackiert			
01NOR15F	166	Aluminium			1 0,45 72
		Lackiert			
01NOR18F	189	Aluminium			1 0,5 80
		Lackiert			
01NOR17F	209	Aluminium			1 0,55 87
		Lackiert			
01NOR19F	229 (!)	Aluminium			1 0,6 93
		Lackiert			
01NOR68F	249 (!)	Aluminium			1 0,65 100
		Lackiert			
01NOR70F	269 (!)	Aluminium			1 0,69 110
		Lackiert			
01NOR42F	289 (!)	Aluminium			1 0,74 118
		Lackiert			

Optionen

Art.-Nr.	Beschreibung	kolli m³ Kg
02GTA02	Zuschnitt der Beine nach Maß	- - -
02RET03	Kabelnetz, Kunststoffmaterial	1 0,07 1
02VER01	Kabelschlange, mattes Methacrylat	1 0,007 1,5
02CPU03	CPU-Träger, mattes Methacrylat	1 0,14 5,5



NORI GLAS

Fixmaße - Tiefe 124 cm

Ausführung der Beine:

Eloxiertes Aluminium

Weiß lackiertes Aluminium (farbähnlich wie RAL 9016)

Schwarz lackiertes Aluminium (farbähnlich wie RAL 9004)

Ausführung der Platte:

Glas hochglanz in den Farben: Extraweiß, Anthrazit, Schwarz

Glas matt in den Farben: Extraweiß, Anthrazit, Schwarz, Titan

Anmerkung:

Achtung: Die mit (!) gekennzeichneten Maße oder Ausführungen haben eine längere Produktionszeit: zirka 6 Wochen ab Auftragsdatum.

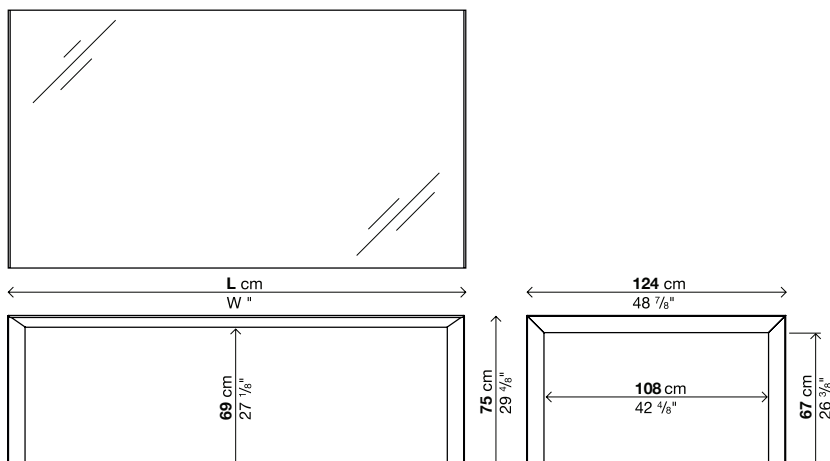
Jene Tische, die im ausgezogenen Zustand eine Länge von 250 cm überschreiten, weisen eine leichte Biegung der Platte auf, die jedoch innerhalb der festgelegten qualitativen Standards liegt.

Für verstärkte Verpackungen siehe Innenseite des Umschlags.

Art.-Nr.	Länge	Beine	Platte		kolli	m ³	Kg
			Glas hochglanz	Glas matt			
01NOR72F	209 (!)	Aluminium			1	0,66	109
		Lackiert					
01NOR74F	229 (!)	Aluminium			1	0,72	118
		Lackiert					
01NOR76F	277 (!)	Aluminium			1	0,85	140
		Lackiert					

Optionen

Art.-Nr.	Beschreibung	kolli	m ³	Kg
02GTA02	Zuschnitt der Beine nach Maß	-	-	-
02RET04	Kabelnetz, Kunststoffmaterial	1	0,07	1
02VER01	Kabelschlange, mattes Methacrylat	1	0,007	1,5
02CPU04	CPU-Träger, mattes Methacrylat	1	0,14	5,5



NORI

Dimensions

Prof. 80 cm Depth 314/8"

80	114 cm 447/8"	→ Alucompact® → Pure-white → Verre
	114/154/194 cm 447/8/605/8/763/8"	→ Alucompact® → Pure-white → Verre
	139 cm 546/8"	→ Alucompact® → Pure-white → Verre
	139/179/219 cm 546/8/704/8/862/8"	→ Alucompact® → Pure-white → Verre
	166 cm 653/8"	→ Alucompact® → Pure-white → Verre
	166/206/246 cm 653/8/811/8/967/8"	→ Alucompact® → Pure-white → Verre *
	189 cm 743/8"	→ Alucompact® → Pure-white → Verre
	209 cm 822/8"	→ Alucompact® → Pure-white → Verre
	229 cm 901/8"	→ Alucompact® → Pure-white → Verre
	249 cm 98"	→ Alucompact® → Pure-white → Verre
	269 cm 1057/8"	→ Alucompact® → Pure-white → Verre
	289 cm 1136/8"	→ Alucompact® → Pure-white → Verre

Prof. 90 cm Depth 353/8"

90	114 cm 447/8"	→ Alucompact® → Pure-white → Verre
	139 cm 546/8"	→ Alucompact® → Pure-white → Fenix-NTM® → Verre → DEKTON®
	139/176/214 cm 546/8/692/8/842/8"	→ Alucompact® → Pure-white → Fenix-NTM® → Verre → DEKTON®
	166 cm 653/8"	→ Alucompact® → Pure-white → Fenix-NTM® → Verre → DEKTON®
	166/203/241/278 cm 653/8/797/8/947/8/1094/8"	→ Alucompact® → Pure-white → Fenix-NTM® → Verre
	166/203/241 cm 653/8/797/8/947/8"	→ DEKTON®
	166/201/236/271 cm 653/8/791/8/927/8/1066/8"	→ Bois
	189 cm 743/8"	→ Alucompact® → Pure-white → Fenix-NTM® → Verre → DEKTON® → Bois
	189/226/263 cm 743/8/89/1034/8"	→ Alucompact® → Pure-white → Fenix-NTM® → Verre *
	189/226/263 cm 743/8/89/1034/8"	→ DEKTON®
	189/224/259/294 cm 743/8/882/8/102/1156/8"	→ Bois
	209 cm 822/8"	→ Alucompact® → Pure-white → Fenix-NTM® → Verre → Bois
	209/246/283 cm 822/8/967/8/1113/8"	→ Alucompact® → Pure-white → Fenix-NTM® → Verre *
	209/253/297 cm 822/8/995/8/1167/8"	→ Bois
	229 cm 901/8"	→ Alucompact® → Pure-white → Verre → Bois
	249 cm 98"	→ Alucompact® → Pure-white → Verre → Bois
	269 cm 1057/8"	→ Alucompact® → Pure-white → Verre → Bois
	289 cm 1136/8"	→ Alucompact® → Pure-white → Verre → Bois

Prof. 100 cm Depth 393/8"

100	139 cm 546/8"	→ Alucompact® → Pure-white → Verre
	166 cm 653/8"	→ Alucompact® → Pure-white → Fenix-NTM® → Verre → DEKTON®
	166/213/260 cm 653/8/837/8/1023/8"	→ Alucompact® → Pure-white → Fenix-NTM® → Verre *
	166/203/240 cm 653/8/797/8/944/8"	→ DEKTON®
	166/201/236/271 cm 653/8/791/8/927/8/1066/8"	→ Bois
	189 cm 743/8"	→ Alucompact® → Pure-white → Fenix-NTM® → Verre → DEKTON® → Bois
	189/236/283 cm 743/8/927/8/1113/8"	→ Alucompact® → Pure-white → Fenix-NTM® → Verre *
	189/226/263 cm 743/8/89/1034/8"	→ DEKTON®
	189/224/259/294 cm 743/8/882/8/102/1156/8"	→ Bois
	209 cm 822/8"	→ Alucompact® → Pure-white → Fenix-NTM® → Verre → Bois
	209/256/303 cm 822/8/1006/8/1192/8"	→ Alucompact® → Pure-white → Fenix-NTM® → Verre *
	209/253/297 cm 822/8/995/8/1167/8"	→ Bois
	229 cm 901/8"	→ Alucompact® → Pure-white → Verre → DEKTON® → Bois
	249 cm 98"	→ Alucompact® → Pure-white → Verre → Bois
	269 cm 1057/8"	→ Alucompact® → Pure-white → Verre → DEKTON® → Bois
	289 cm 1136/8"	→ Alucompact® → Pure-white → Verre → Bois

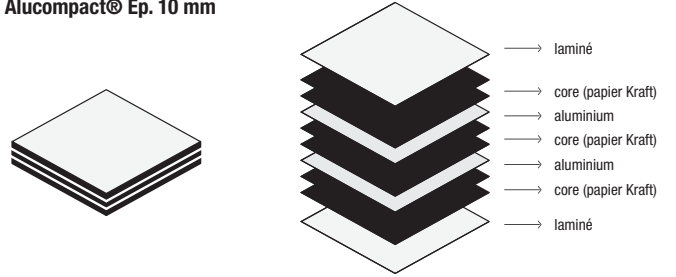
* = 3ème rallonge supplémentaire (sur demande)

Plateaux

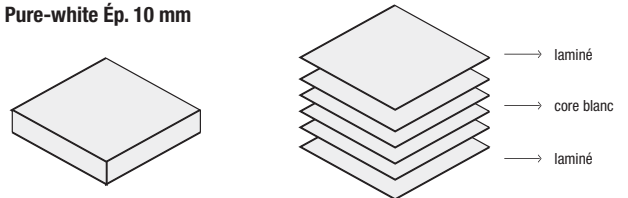
Prof. 124 cm
Depth 48 3/8"

124	209 cm 82 2/8"	→ Alucompact® → Pure-white → Verre
	229 cm 90 1/8"	→ Alucompact® → Pure-white → Verre
	277 cm 109"	→ Alucompact® → Pure-white → Verre

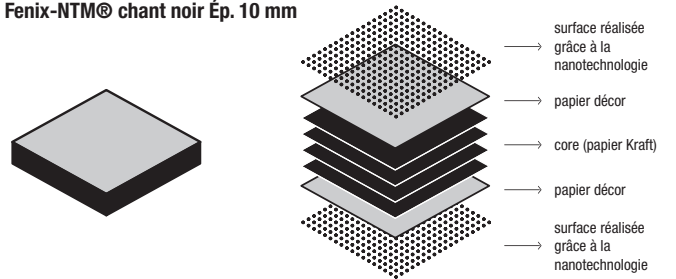
Alucompact® Ép. 10 mm



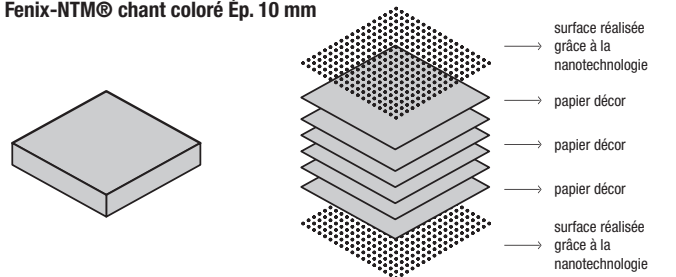
Pure-white Ép. 10 mm



Fenix-NTM® chant noir Ép. 10 mm



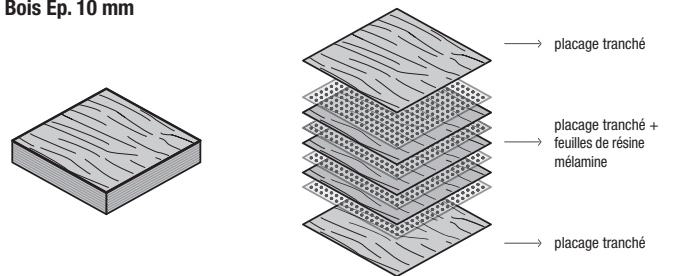
Fenix-NTM® chant coloré Ép. 10 mm



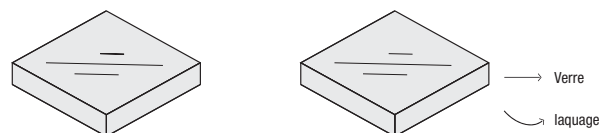
DEKTON® by Cosentino Ép. 8 mm



Bois Ép. 10 mm



Verre Ép. 10 mm



NORI ALUcompact® / PURE-WHITE

Extensible - Profondeur 80 cm

Finition piètement:

Aluminium anodisé

Aluminium laqué blanc (semblable à la teinte RAL 9016)

Aluminium laqué "Alucompact® gris sable" (semblable à la teinte RAL 9002)

Aluminium laqué "Alucompact® gris anthracite" (semblable à la teinte RAL 7015)

Aluminium laqué noir (semblable à la teinte RAL 9004)

Finition du plateau/rallonges:

Laminé Alucompact® (blanc, gris sable, gris anthracite, noir)

Laminé Pure-white blanc

Notes:

Pour les modèles de table marqués d'un astérisque (*), il est possible d'ajouter une troisième rallonge pour augmenter davantage l'extension.

Attention: les dimensions et les finitions marquées par un point d'exclamation (!) ont des délais de production plus longs (environ 6 semaines à partir de la date de la commande).

Emballages renforcés, voir intérieur de la couverture.

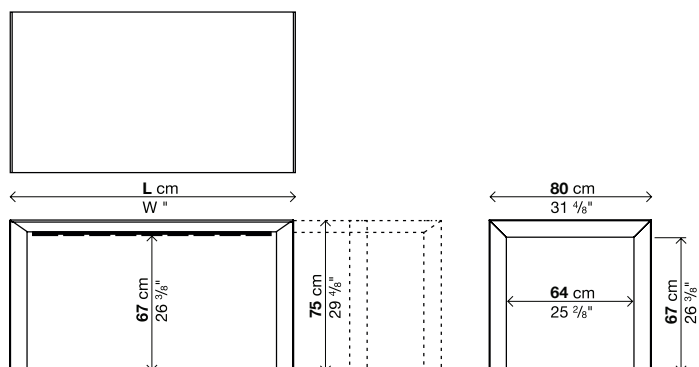
Code	Longueur	Pieds	Plateau		colis	m ³	Kg
			Alucompact®	Pure-white (!)			
01NOR01	114-154-194	Aluminium			3	0,32	63
		Laqué					
01NOR02	139-179-219	Aluminium			3	0,37	69
		Laqué					
01NOR07*	166-206-246	Aluminium			3	0,42	75
		Laqué					

(*) 3ème rallonge supplémentaire

Code	Longueur	Plateau		colis	m ³	Kg
		Alucompact®	Pure-white			
50SUS5A	33 cm			1	0,03	6

Optionals

Code	Description	colis	m ³	Kg
02GTA02	Coupe des pieds sur mesure	-	-	-



NORI ALUCOMPACT® / PURE-WHITE

Fixe - Profondeur 80 cm

Finition piètement:

Aluminium anodisé
 Aluminium laqué blanc (semblable à la teinte RAL 9016)
 Aluminium laqué "Alucompact® gris sable" (semblable à la teinte RAL 9002)
 Aluminium laqué "Alucompact® gris anthracite" (semblable à la teinte RAL 7015)
 Aluminium laqué noir (semblable à la teinte RAL 9004)

Finition du plateau:

Laminé Alucompact® (blanc, gris sable, gris anthracite, noir)

Laminé Pure-white blanc

Notes:

Attention: les dimensions et les finitions marquées par un point d'exclamation (!) ont des délais de production plus longs (environ 6 semaines à partir de la date de la commande).

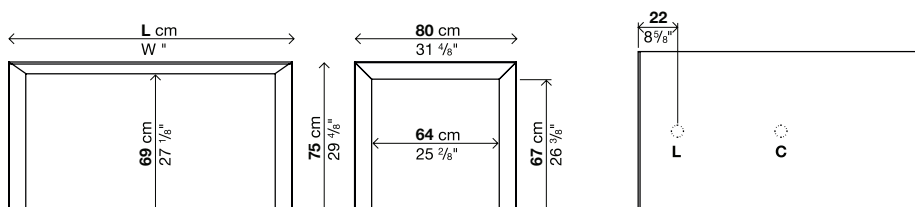
Les tables qui une fois allongées font plus de 250 cm présentent une légère flexion du plateau qui respecte les standards de qualité acceptés.

Emballages renforcés, voir intérieur de la couverture.

Code	Longueur	Pieds	Plateau		colis	m ³	Kg
			Alucompact®	Pure-white			
01NOR01F	114	Aluminium			1	0,27	35
		Laqué					
01NOR02F	139	Aluminium			1	0,32	41
		Laqué					
01NOR28F	166 (!)	Aluminium			1	0,37	47
		Laqué					
01NOR33F	189 (!)	Aluminium			1	0,41	52
		Laqué					
01NOR35F	209 (!)	Aluminium			1	0,45	56
		Laqué					
01NOR37F	229 (!)	Aluminium			1	0,49	60
		Laqué					
01NOR43F	249 (!)	Aluminium			1	0,53	65
		Laqué					
01NOR45F	269 (!)	Aluminium			1	0,57	68
		Laqué					
01NOR47F	289 (!)	Aluminium			1	0,61	72
		Laqué					

Optionals

Code	Description	colis	m ³	Kg
02GTA02	Coupe des pieds sur mesure	-	-	-
02FOR01	Passe-câbles latérale ou central Ø6	-	-	-
02RET01	Câblage, matière plastique	1	0,07	1
02VER01	Vertèbre, méthacrylate opaline	1	0,007	1,5
02CPU01	Support CPU, méthacrylate opaline	1	0,14	5,5



NORI ALUCOMPACT® / PURE-WHITE / FENIX-NTM®

Extensible - Profondeur 90 cm

Finition piètement:

Aluminium anodisé
 Aluminium laqué blanc (semblable à la teinte RAL 9016)
 Aluminium laqué "Alucompact® gris sable" (semblable à la teinte RAL 9002)
 Aluminium laqué "Alucompact® gris anthracite" (semblable à la teinte RAL 7015)
 Aluminium laqué noir (semblable à la teinte RAL 9004)
 Aluminium laqué vert olive (reference couleur "Polyuréthane vert olive P008")

Finition du plateau/rallonges:

Laminé Alucompact® (blanc, gris sable, gris anthracite, noir)

 Laminé Pure-white blanc

 Fenix-NTM® chant noir (blanc Kos 0032, gris Londres 0718, grigio Bromo 0724, noir Ingo 0720)

 Fenix-NTM® chant coloré (blanc Kos 0032, gris Londres 0718)

Notes:

Pour les modèles de table marqués d'un astérisque (*), il est possible d'ajouter une troisième rallonge pour augmenter davantage l'extension.

Attention: les dimensions et les finitions marquées par un point d'exclamation (!) ont des délais de production plus longs (environ 6 semaines à partir de la date de la commande).

Emballages renforcés, voir intérieur de la couverture.

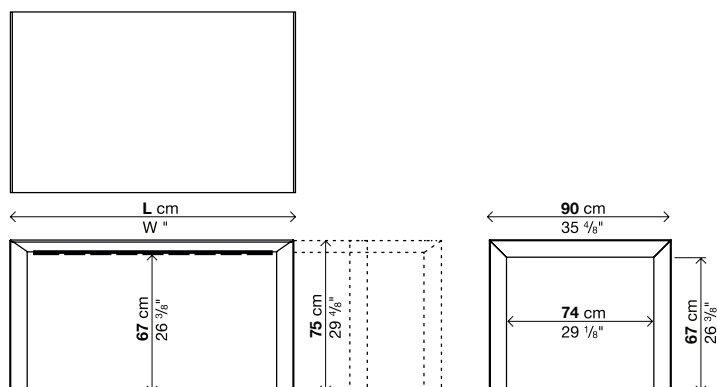
Code	Longueur	Pieds	Plateau				colis	m³	Kg
			Alucompact®	Fenix-NTM® chant noir	Pure-white	Fenix-NTM® chant coloré			
01NOR03	139-176-214	Aluminium					3	0,41	71
		Laqué							
01NOR04	166-203-241-278 3eme extension compris standard	Aluminium					4	0,5	81
		Laqué							
01NOR08*	189-226-263	Aluminium					3	0,51	82
		Laqué							
01NOR30*	209-246-283	Aluminium					3	0,55	88
		Laqué							

(* 3ème rallonge supplémentaire)

Code	Longueur	Plateau				colis	m³	Kg
		Alucompact®	Fenix-NTM® chant noir	Pure-white	Fenix-NTM® chant coloré			
50SUS2A	37,5 cm					1	0,03	6,5

Optionals

Code	Description	colis	m³	Kg
02GTA02	Coupe des pieds sur mesure	-	-	-



NORI ALUCOMPACT® / PURE-WHITE / FENIX-NTM®

Fixe - Profondeur 90 cm

Finition piètement:

Aluminium anodisé
 Aluminium laqué blanc (semblable à la teinte RAL 9016)
 Aluminium laqué "Alucompact® gris sable" (semblable à la teinte RAL 9002)
 Aluminium laqué "Alucompact® gris anthracite" (semblable à la teinte RAL 7015)
 Aluminium laqué noir (semblable à la teinte RAL 9004)
 Aluminium laqué vert olive (reference couleur "Polyuréthane vert olive P008")

Finition du plateau:

Laminé Alucompact® (blanc, gris sable, gris anthracite, noir)

 Laminé Pure-white blanc

 Fenix-NTM® chant noir (blanc Kos 0032, gris Londres 0718, grigio Bromo 0724, noir Ingo 0720)

 Fenix-NTM® chant coloré (blanc Kos 0032, gris Londres 0718)

Notes:

Attention: les dimensions et les finitions marquées par un point d'exclamation (!) ont des délais de production plus longs (environ 6 semaines à partir de la date de la commande).

Les tables qui une fois allongées font plus de 250 cm présentent une légère flexion du plateau qui respecte les standards de qualité acceptés.

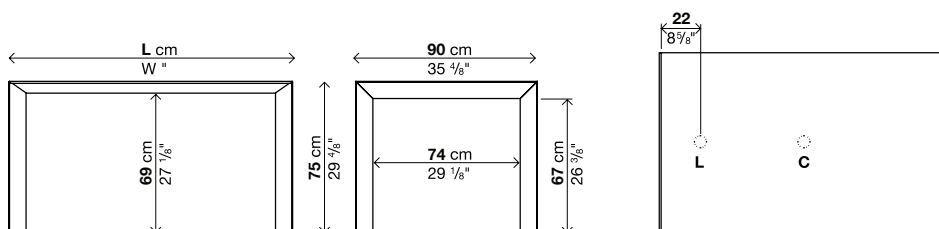
Les tables longueur 269 et 289 cm présentent au centre une traverse sous-plateau de support, conséquence: les ouvertures passe-câbles ne pourront pas être centrées exactement par rapport à la profondeur de la table mais il faudra donc les déplacer légèrement.

Emballages renforcés, voir intérieur de la couverture.

Code	Longueur	Pieds	Plateau				colis	m ³	Kg
			Alucompact®	Fenix-NTM® chant noir	Pure-white	Fenix-NTM® chant coloré			
01NOR51F	114	Aluminium		-		-	1	0,3	41
		Laqué		-		-			
01NOR03F	139	Aluminium					1	0,36	46
		Laqué							
01NOR04F	166	Aluminium					1	0,42	52
		Laqué							
01NOR53F	189	Aluminium					1	0,46	57
		Laqué							
01NOR30F	209	Aluminium					1	0,5	62
		Laqué							
01NOR55F	229 (!)	Aluminium		-		-	1	0,55	66
		Laqué		-		-			
01NOR57F	249 (!)	Aluminium		-		-	1	0,59	71
		Laqué		-		-			
01NOR59F	269 (!)	Aluminium		-		-	1	0,63	79
		Laqué		-		-			
01NOR61F	289 (!)	Aluminium		-		-	1	0,67	85
		Laqué		-		-			

Optionals

Code	Description	colis	m ³	Kg
02GTA02	Coupe des pieds sur mesure	-	-	-
02FOR01	Passe-câbles latérale ou central Ø6	-	-	-
02RET02	Câblage, matière plastique	1	0,07	1
02VER01	Vertèbre, méthacrylate opaline	1	0,007	1,5
02CPU02	Support CPU, méthacrylate opaline	1	0,14	5,5



NORI ALUCOMPACT® / PURE-WHITE / FENIX-NTM®

Extensible - Profondeur 100 cm

Finition piètement:

Aluminium anodisé
 Aluminium laqué blanc (semblable à la teinte RAL 9016)
 Aluminium laqué "Alucompact® gris sable" (semblable à la teinte RAL 9002)
 Aluminium laqué "Alucompact® gris anthracite" (semblable à la teinte RAL 7015)
 Aluminium laqué noir (semblable à la teinte RAL 9004)
 Aluminium laqué vert olive (reference couleur "Polyuréthane vert olive P008")

Finition du plateau/rallonges:

Laminé Alucompact® (blanc, gris sable, gris anthracite, noir)

 Laminé Pure-white blanc

 Fenix-NTM® chant noir (blanc Kos 0032, gris Londres 0718, grigio Bromo 0724, noir Ingo 0720)

 Fenix-NTM® chant coloré (blanc Kos 0032, gris Londres 0718)

Notes:

Pour les modèles de table marqués d'un astérisque (*), il est possible d'ajouter une troisième rallonge pour augmenter davantage l'extension.

Attention: les dimensions et les finitions marquées par un point d'exclamation (!) ont des délais de production plus longs (environ 6 semaines à partir de la date de la commande).

Emballages renforcés, voir intérieur de la couverture.

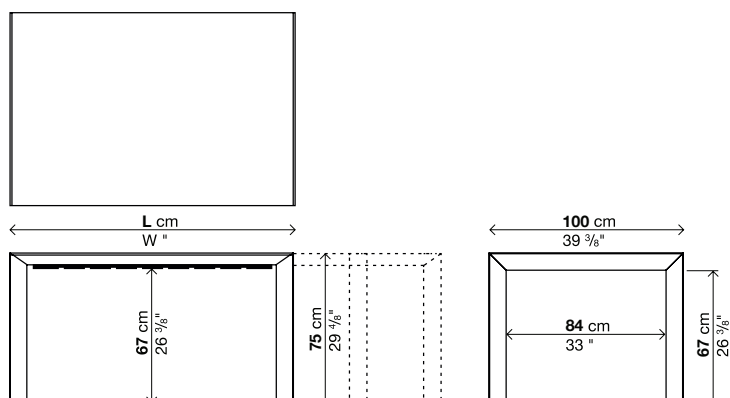
Code	Longueur	Pieds	Plateau				colis	m ³	Kg
			Alucompact®	Fenix-NTM® chant noir	Pure-white	Fenix-NTM® chant coloré			
01NOR05	166-213-260	Aluminium					3	0,52	85
		Laqué							
01NOR09*	189-236-283	Aluminium					3	0,57	92
		Laqué							
01NOR06*	209-256-303	Aluminium					3	0,62	98
		Laqué							

(*) 3ème rallonge supplémentaire

Code	Longueur	Plateau				colis	m ³	Kg
		Alucompact®	Fenix-NTM® chant noir	Pure-white	Fenix-NTM® chant coloré			
50SUS6A	33 cm					1	0,03	6

Optionals

Code	Description	colis	m ³	Kg
02GTA02	Coupe des pieds sur mesure	-	-	-



NORI ALUCOMPACT® / PURE-WHITE / FENIX-NTM®

Fixe - Profondeur 100 cm

Finition piètement:

Aluminium anodisé
 Aluminium laqué blanc (semblable à la teinte RAL 9016)
 Aluminium laqué "Alucompact® gris sable" (semblable à la teinte RAL 9002)
 Aluminium laqué "Alucompact® gris anthracite" (semblable à la teinte RAL 7015)
 Aluminium laqué noir (semblable à la teinte RAL 9004)
 Aluminium laqué vert olive (reference couleur "Polyuréthane vert olive P008")

Finition du plateau:

Laminé Alucompact® (blanc, gris sable, gris anthracite, noir)

 Laminé Pure-white blanc

 Fenix-NTM® chant noir (blanc Kos 0032, gris Londres 0718, grigio Bromo 0724, noir Ingo 0720)

 Fenix-NTM® chant coloré (blanc Kos 0032, gris Londres 0718)

Notes:

Attention: les dimensions et les finitions marquées par un point d'exclamation (!) ont des délais de production plus longs (environ 6 semaines à partir de la date de la commande).

Les tables qui une fois allongées font plus de 250 cm présentent une légère flexion du plateau qui respecte les standards de qualité acceptés.

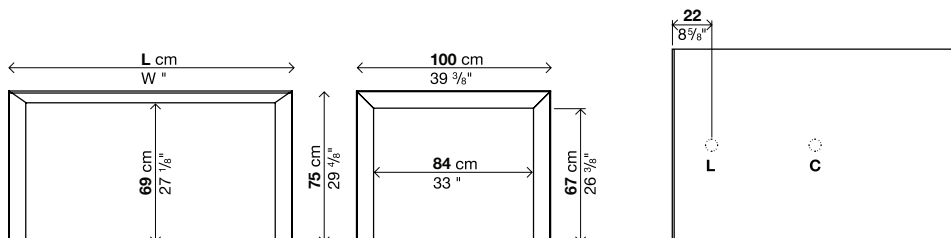
Les tables longueur 269 et 289 cm présentent au centre une traverse sous-plateau de support, conséquence: les ouvertures passe-câbles ne pourront pas être centrées exactement par rapport à la profondeur de la table mais il faudra donc les déplacer légèrement.

Emballages renforcés, voir intérieur de la couverture.

Code	Longueur	Pieds	Plateau				colis	m ³	Kg
			Alucompact®	Fenix-NTM® chant noir	Pure-white	Fenix-NTM® chant coloré			
01NOR65F	139	Aluminium		-		-	1	0,39	50
		Laqué		-		-			
01NOR05F	166	Aluminium					1	0,45	56
		Laqué							
01NOR07F	189	Aluminium					1	0,5	62
		Laqué							
01NOR06F	209	Aluminium					1	0,55	67
		Laqué							
01NOR08F	229 (!)	Aluminium		-		-	1	0,6	72
		Laqué		-		-			
01NOR67F	249 (!)	Aluminium		-		-	1	0,65	77
		Laqué		-		-			
01NOR69F	269 (!)	Aluminium		-		-	1	0,69	85
		Laqué		-		-			
01NOR32F	289 (!)	Aluminium		-		-	1	0,74	90
		Laqué		-		-			

Optionals

Code	Description	colis	m ³	Kg
02GTA02	Coupe des pieds sur mesure	-	-	-
02FOR01	Passe-câbles latérale ou central Ø6	-	-	-
02RET03	Câblage, matière plastique	1	0,07	1
02VER01	Vertèbre, méthacrylate opaline	1	0,007	1,5
02CPU03	Support CPU, méthacrylate opaline	1	0,14	5,5



NORI ALUcompact® / PURE-WHITE

Fixe - Profondeur 124 cm

Finition piètement:

Aluminium anodisé
 Aluminium laqué blanc (semblable à la teinte RAL 9016)
 Aluminium laqué "Alucompact® gris sable" (semblable à la teinte RAL 9002)
 Aluminium laqué "Alucompact® gris anthracite" (semblable à la teinte RAL 7015)
 Aluminium laqué noir (semblable à la teinte RAL 9004)
 Aluminium laqué vert olive (reference couleur "Polyuréthane vert olive P008")

Finition du plateau:

Laminé Alucompact® (blanc, gris sable, gris anthracite, noir)

Laminé Pure-white blanc

Notes:

Attention: les dimensions et les finitions marquées par un point d'exclamation (!) ont des délais de production plus longs (environ 6 semaines à partir de la date de la commande).

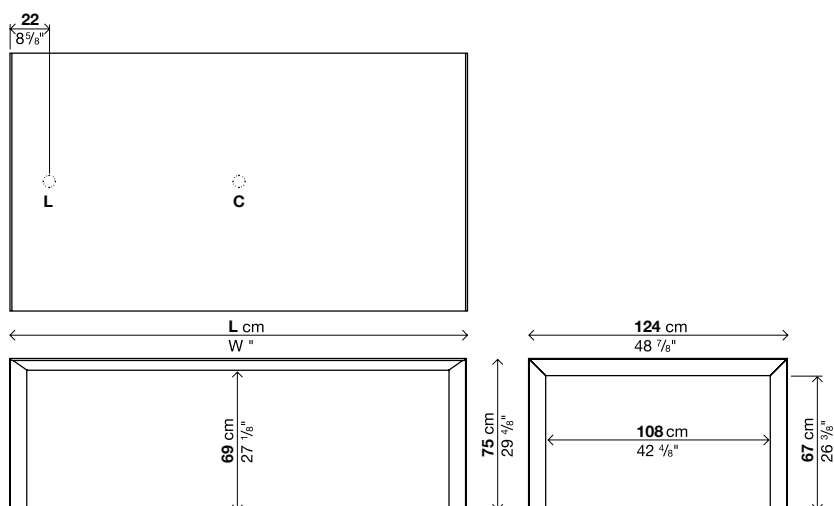
Les tables qui une fois allongées font plus de 250 cm présentent une légère flexion du plateau qui respecte les standards de qualité acceptés.

Emballages renforcés, voir intérieur de la couverture.

Code	Longueur	Pieds	Plateau		colis	m ³	Kg
			Alucompact®	Pure-white			
01NOR71F	209 (!)	Aluminium			1	0,66	86
		Laqué					
01NOR73F	229 (!)	Aluminium			1	0,72	92
		Laqué					
01NOR75F	277 (!)	Aluminium			1	0,85	108
		Laqué					

Optionals

Code	Description	colis	m ³	Kg
02GTA02	Coupe des pieds sur mesure	-	-	-
02FOR01	Passe-câbles latérale ou central Ø6	-	-	-
02RET04	Câblage, matière plastique	1	0,07	1
02VER01	Vertèbre, méthacrylate opaline	1	0,007	1,5
02CPU04	Support CPU, méthacrylate opaline	1	0,14	5,5



NORI DEKTON® BY COSENTINO

Extensible - Profondeur 90 cm

Finition piétement:

Aluminium anodisé
Aluminium laqué blanc (semblable à la teinte RAL 9016)
Aluminium laqué "gris Ventus"
Aluminium laqué vert olive (reference couleur "Polyuréthane vert olive PO08")

Finition du plateau:

DEKTON® blanc Zenith
DEKTON® gris Ventus
DEKTON® Aura (effet marbre)

Finition des rallonges:

Aluminium laqué blanc (semblable à la teinte RAL 9016)
Aluminium laqué "gris Ventus"

Notes:

Attention: les veines imprimées sur la surface des plateaux en DEKTON® Aura (effet marbre) sont disposées de façon aléatoire, ce qui rend chaque plateau unique puisque une reproduction exacte est bien entendu impossible. Cette caractéristique implique qu'il pourrait y avoir des différences par rapport aux échantillons, mais celles-ci ne pourront en aucun cas faire l'objet de contestations au titre d'imperfections ou d'anomalies. Du fait que l'impression réalisée est du type aléatoire, aucune demande concernant l'homogénéité des veines ne pourra être acceptée.

Attention: les dimensions et les finitions marquées par un point d'exclamation (!) ont des délais de production plus longs (environ 6 semaines à partir de la date de la commande).

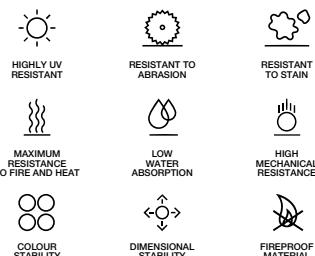
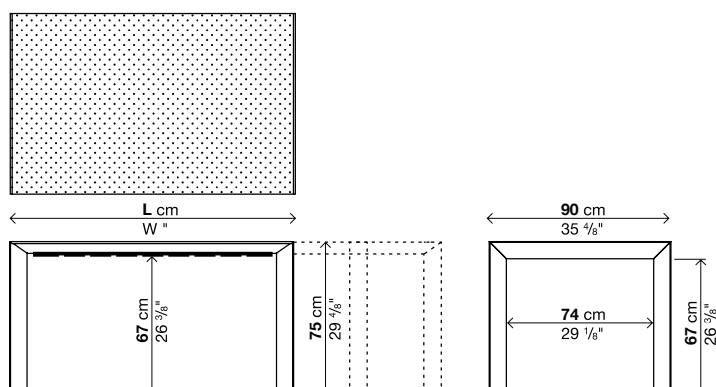
Les tables qui une fois allongées font plus de 250 cm présentent une légère flexion du plateau qui respecte les standards de qualité acceptés.

Emballages renforcés, voir intérieur de la couverture.

Code	Longueur	Pieds	Plateau	colis	m ³	Kg
			DEKTON®			
01NOR03	139-176-214	Aluminium		3	0,41	89
		Laqué				
01NOR04	166-203-241	Aluminium		3	0,5	102
		Laqué				
01NOR08	189-226-263	Aluminium		3	0,51	105
		Laqué				

Optionals

Code	Description	colis	m ³	Kg
02GTA02	Coupe des pieds sur mesure	-	-	-



NORI DEKTON® BY COSENTINO

Fixe - Profondeur 90 cm

Finition piètement:

Aluminium anodisé
 Aluminium laqué blanc (semblable à la teinte RAL 9016)
 Aluminium laqué "gris Ventus"
 Aluminium laqué vert olive (reference couleur "Polyuréthane vert olive PO08")

Finition du plateau:

DEKTON® blanc Zenith
 DEKTON® gris Ventus
 DEKTON® Aura (effet marbre)

Notes:

Attention: les veines imprimées sur la surface des plateaux en DEKTON® Aura (effet marbre) sont disposées de façon aléatoire, ce qui rend chaque plateau unique puisque une reproduction exacte est bien entendu impossible. Cette caractéristique implique qu'il pourrait y avoir des différences par rapport aux échantillons, mais celles-ci ne pourront en aucun cas faire l'objet de contestations au titre d'imperfections ou d'anomalies. Du fait que l'impression réalisée est du type aléatoire, aucune demande concernant l'homogénéité des veines ne pourra être acceptée.

Attention: les dimensions et les finitions marquées par un point d'exclamation (!) ont des délais de production plus longs (environ 6 semaines à partir de la date de la commande).

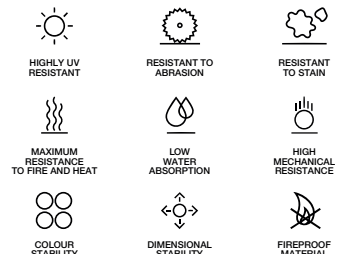
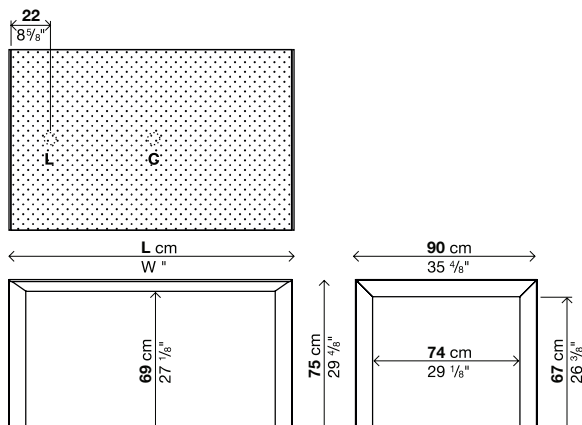
Les tables qui une fois allongées font plus de 250 cm présentent une légère flexion du plateau qui respecte les standards de qualité acceptés.

Emballages renforcés, voir intérieur de la couverture.

Code	Longueur	Pieds	Plateau	colis	m ²	Kg
			DEKTON®			
01NOR03F	139 (!)	Aluminium		1	0,36	60
		Laqué				
01NOR04F	166 (!)	Aluminium		1	0,42	69
		Laqué				
01NOR53F	189 (!)	Aluminium		1	0,46	76
		Laqué				

Optionals

Code	Description	colis	m ²	Kg
02GTA02	Coupe des pieds sur mesure	-	-	-
02RET02	Câblage, matière plastique	1	0,07	1
02VER01	Vertèbre, méthacrylate opaline	1	0,007	1,5
02CPU02	Support CPU, méthacrylate opaline	1	0,14	5,5



NORI DEKTON® BY COSENTINO

Extensible - Profondeur 100 cm

Finition piétement:

Aluminium anodisé
 Aluminium laqué blanc (semblable à la teinte RAL 9016)
 Aluminium laqué "gris Ventus"
 Aluminium laqué vert olive (reference couleur "Polyuréthane vert olive PO08")

Finition du plateau:

DEKTON® blanc Zenith
 DEKTON® gris Ventus
 DEKTON® Aura (effet marbre)

Finition des rallonges:

Aluminium laqué blanc (semblable à la teinte RAL 9016)
 Aluminium laqué "gris Ventus"

Notes:

Attention: les veines imprimées sur la surface des plateaux en DEKTON® Aura (effet marbre) sont disposées de façon aléatoire, ce qui rend chaque plateau unique puisque une reproduction exacte est bien entendu impossible. Cette caractéristique implique qu'il pourrait y avoir des différences par rapport aux échantillons, mais celles-ci ne pourront en aucun cas faire l'objet de contestations au titre d'imperfections ou d'anomalies. Du fait que l'impression réalisée est du type aléatoire, aucune demande concernant l'homogénéité des veines ne pourra être acceptée.

Attention: les dimensions et les finitions marquées par un point d'exclamation (!) ont des délais de production plus longs (environ 6 semaines à partir de la date de la commande).

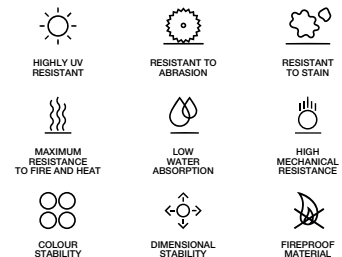
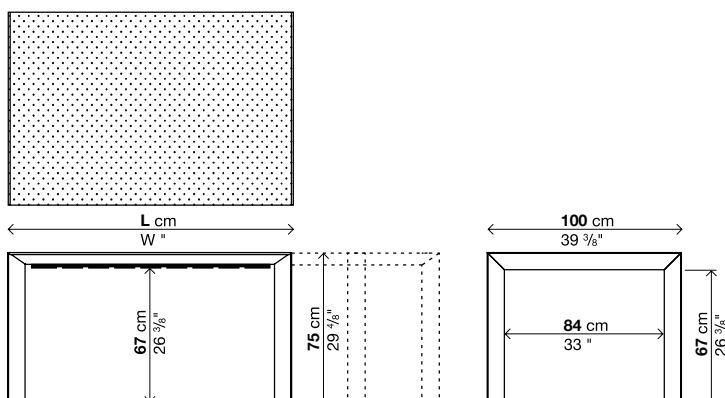
Les tables qui une fois allongées font plus de 250 cm présentent une légère flexion du plateau qui respecte les standards de qualité acceptés.

Emballages renforcés, voir intérieur de la couverture.

Code	Longueur	Pieds	Plateau	colis	m ²	Kg
			DEKTON®			
01NOR05	166-203-240 (!)	Aluminium		3	0,52	108
		Laqué				
01NOR09	189-226-263 (!)	Aluminium		3	0,57	118
		Laqué				

Optionals

Code	Description	colis	m ²	Kg
02GTA02	Coupe des pieds sur mesure	-	-	-



NORI DEKTON® BY COSENTINO

Fixe - Profondeur 100 cm

Finition piètement:

- Aluminium anodisé
- Aluminium laqué blanc (semblable à la teinte RAL 9016)
- Aluminium laqué "gris Ventus"
- Aluminium laqué vert olive (reference couleur "Polyuréthane vert olive PO08")

Finition du plateau:

- DEKTON® blanc Zenith
- DEKTON® gris Ventus
- DEKTON® Aura (effet marbre)

Notes:

Attention: les veines imprimées sur la surface des plateaux en DEKTON® Aura (effet marbre) sont disposées de façon aléatoire, ce qui rend chaque plateau unique puisque une reproduction exacte est bien entendu impossible. Cette caractéristique implique qu'il pourrait y avoir des différences par rapport aux échantillons, mais celles-ci ne pourront en aucun cas faire l'objet de contestations au titre d'imperfections ou d'anomalies. Du fait que l'impression réalisée est du type aléatoire, aucune demande concernant l'homogénéité des veines ne pourra être acceptée.

Attention: les dimensions et les finitions marquées par un point d'exclamation (!) ont des délais de production plus longs (environ 6 semaines à partir de la date de la commande).

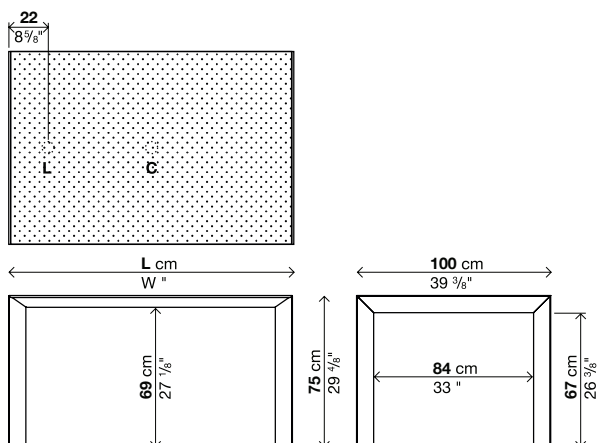
Les tables qui une fois allongées font plus de 250 cm présentent une légère flexion du plateau qui respecte les standards de qualité acceptés.

Emballages renforcés, voir intérieur de la couverture.

Code	Longueur	Pieds	Plateau	colis	m ³	Kg
			DEKTON®			
01NOR05F	166 (!)	Aluminium		1	0,45	74
		Laqué				
01NOR07F	189 (!)	Aluminium		1	0,5	83
		Laqué				
01NOR08F	229 (!)	Aluminium		1	0,6	97
		Laqué				
01NOR69F	269 (!)	Aluminium		1	0,69	115
		Laqué				

Optionals

Code	Description	colis	m ³	Kg
02GTA02	Coupe des pieds sur mesure	-	-	-
02RET03	Câblage, matière plastique	1	0,07	1
02VER01	Vertèbre, méthacrylate opaline	1	0,007	1,5
02CPU03	Support CPU, méthacrylate opaline	1	0,14	5,5



HIGHLY UV RESISTANT



RESISTANT TO ABRASION



RESISTANT TO STAIN



MAXIMUM RESISTANCE TO FIRE AND HEAT



LOW WATER ABSORPTION



HIGH MECHANICAL RESISTANCE



COLOUR STABILITY



DIMENSIONAL STABILITY



FIREPROOF MATERIAL

NORI BOIS

Extensible - Profondeur 90 cm

Finition piètement:

Aluminium anodisé
 Aluminium laqué blanc (semblable à la teinte RAL 9016)
 Aluminium laqué "Alucompact® gris sable" (semblable à la teinte RAL 9002)
 Aluminium laqué "Alucompact® gris anthracite" (semblable à la teinte RAL 7015)
 Aluminium laqué "Fenix-NTM® gris Londres" (semblable à la teinte RAL Design0805005)
 Aluminium laqué noir (semblable à la teinte RAL 9004)
 Aluminium laqué vert olive (reference couleur "Polyuréthane vert olive P008")

Finition du plateau/rallonges:

Bois aspect chêne européen
 Bois aspect noyer
 Bois aspect chêne teinté noir

Notes:

Attention: les dimensions et les finitions marquées par un point d'exclamation (!) ont des délais de production plus longs (environ 6 semaines à partir de la date de la commande).

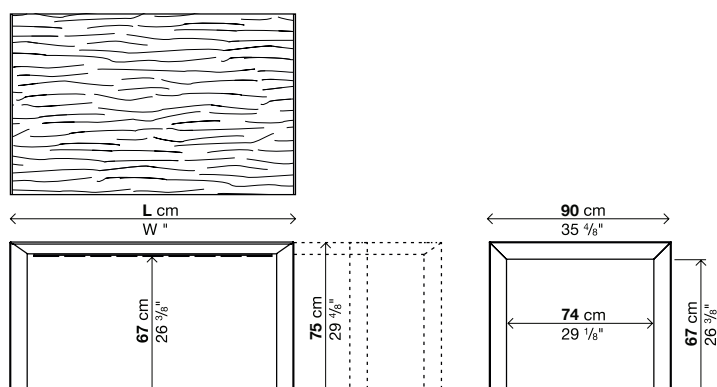
Les tables qui une fois allongées font plus de 250 cm présentent une légère flexion du plateau qui respecte les standards de qualité acceptés.

Emballages renforcés, voir intérieur de la couverture.

Code	Longueur	Pieds	Plateau	colis	m³	Kg
			Bois			
01NOR04	166-201-236-271 avec trois rallonges	Aluminium Laqué		4	0,5	81
01NOR08	189-224-259-294 avec trois rallonges	Aluminium Laqué		4	0,53	88,5
01NOR30	209-253-297 (!) avec deux rallonges	Aluminium Laqué		3	0,55	88

Optionals

Code	Description	colis	m³	Kg
02GTA02	Coupe des pieds sur mesure	-	-	-



NORI BOIS

Fixe - Profondeur 90 cm

Finition piètement:

Aluminium anodisé

Aluminium laqué blanc (semblable à la teinte RAL 9016)

Aluminium laqué "Alucompact® gris sable" (semblable à la teinte RAL 9002)

Aluminium laqué "Alucompact® gris anthracite" (semblable à la teinte RAL 7015)

Aluminium laqué "Fenix-NTM® gris Londres" (semblable à la teinte RAL Design0805005)

Aluminium laqué noir (semblable à la teinte RAL 9004)

Aluminium laqué vert olive (reference couleur "Polyuréthane vert olive P008")

Finition du plateau:

Bois aspect chêne européen

Bois aspect noyer

Bois aspect chêne teinté noir

Notes:

Attention: les dimensions et les finitions marquées par un point d'exclamation (!) ont des délais de production plus longs (environ 6 semaines à partir de la date de la commande).

Les tables qui une fois allongées font plus de 250 cm présentent une légère flexion du plateau qui respecte les standards de qualité acceptés.

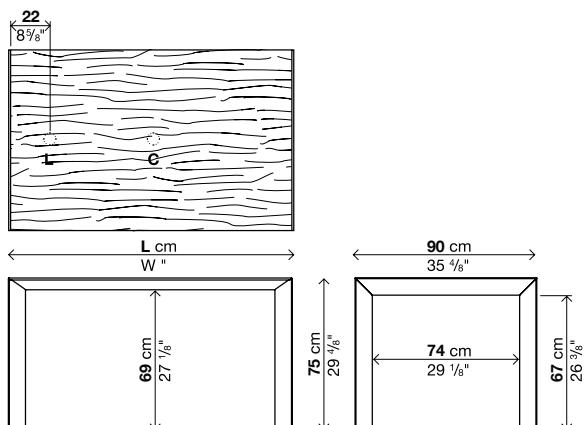
Les tables longueur 269 et 289 cm présentent au centre une traverse sous-plateau de support, conséquence: les ouvertures passe-câbles ne pourront pas être centrées exactement par rapport à la profondeur de la table mais il faudra donc les déplacer légèrement.

Emballages renforcés, voir intérieur de la couverture.

Code	Longueur	Pieds	Plateau	colis	m ³	Kg
			Bois			
01NOR53F	189	Aluminium		1	0,46	57
		Laqué				
01NOR30F	209 (!)	Aluminium		1	0,5	62
		Laqué				
01NOR55F	229 (!)	Aluminium		1	0,55	66
		Laqué				
01NOR57F	249 (!)	Aluminium		1	0,59	71
		Laqué				
01NOR59F	269 (!)	Aluminium		1	0,63	79
		Laqué				
01NOR61F	289 (!)	Aluminium		1	0,67	85
		Laqué				

Optionals

Code	Description	colis	m ³	Kg
02GTA02	Coupe des pieds sur mesure	-	-	-
02FOR01	Passe-câbles latérale ou central Ø6	-	-	-
02RET02	Câblage, matière plastique	1	0,07	1
02VER01	Vertèbre, méthacrylate opaline	1	0,007	1,5
02CPU02	Support CPU, méthacrylate opaline	1	0,14	5,5



NORI BOIS

Extensible - Profondeur 100 cm

Finition piètement:

Aluminium anodisé
 Aluminium laqué blanc (semblable à la teinte RAL 9016)
 Aluminium laqué "Alucompact® gris sable" (semblable à la teinte RAL 9002)
 Aluminium laqué "Alucompact® gris anthracite" (semblable à la teinte RAL 7015)
 Aluminium laqué "Fenix-NTM® gris Londres" (semblable à la teinte RAL Design0805005)
 Aluminium laqué noir (semblable à la teinte RAL 9004)
 Aluminium laqué vert olive (reference couleur "Polyuréthane vert olive P008")

Finition du plateau/rallonges:

Bois aspect chêne européen
 Bois aspect noyer
 Bois aspect chêne teinté noir

Notes:

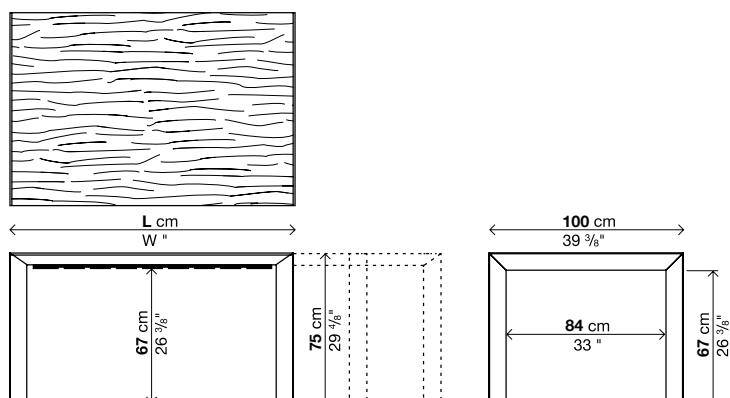
Les tables qui une fois allongées font plus de 250 cm présentent une légère flexion du plateau qui respecte les standards de qualité acceptés.

Emballages renforcés, voir intérieur de la couverture.

Code	Longueur	Pieds	Plateau	colis	m³	Kg
			Bois			
01NOR05	166-201-236-271 avec trois rallonges	Aluminium Laqué		4	0,55	91
01NOR09	189-224-259-294 avec trois rallonges	Aluminium Laqué		4	0,6	98
01NOR06	209-253-297 avec deux rallonges	Aluminium Laqué		3	0,62	98

Optionals

Code	Description	colis	m³	Kg
02GTA02	Coupe des pieds sur mesure	-	-	-



NORI BOIS

Fixe - Profondeur 100 cm

Finition piètement:

Aluminium anodisé

Aluminium laqué blanc (semblable à la teinte RAL 9016)

Aluminium laqué "Alucompact® gris sable" (semblable à la teinte RAL 9002)

Aluminium laqué "Alucompact® gris anthracite" (semblable à la teinte RAL 7015)

Aluminium laqué "Fenix-NTM® gris Londres" (semblable à la teinte RAL Design0805005)

Aluminium laqué noir (semblable à la teinte RAL 9004)

Aluminium laqué vert olive (reference couleur "Polyuréthane vert olive P008")

Finition du plateau:

Bois aspect chêne européen

Bois aspect noyer

Bois aspect chêne teinté noir

Notes:

Attention: les dimensions et les finitions marquées par un point d'exclamation (!) ont des délais de production plus longs (environ 6 semaines à partir de la date de la commande).

Les tables qui une fois allongées font plus de 250 cm présentent une légère flexion du plateau qui respecte les standards de qualité acceptés.

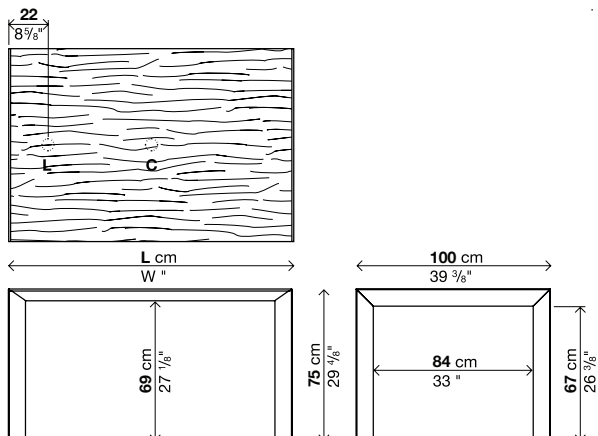
Les tables longueur 269 et 289 cm présentent au centre une traverse sous-plateau de support, conséquence: les ouvertures passe-câbles ne pourront pas être centrées exactement par rapport à la profondeur de la table mais il faudra donc les déplacer légèrement.

Emballages renforcés, voir intérieur de la couverture.

Code	Longueur	Pieds	Plateau	colis	m ³	Kg
			Bois			
01NOR07F	189	Aluminium		1	0,5	62
		Laqué				
01NOR06F	209	Aluminium		1	0,55	67
		Laqué				
01NOR08F	229 (!)	Aluminium		1	0,6	72
		Laqué				
01NOR67F	249 (!)	Aluminium		1	0,65	77
		Laqué				
01NOR69F	269 (!)	Aluminium		1	0,69	85
		Laqué				
01NOR32F	289 (!)	Aluminium		1	0,74	90
		Laqué				

Optionals

Code	Description	colis	m ³	Kg
02GTA02	Coupe des pieds sur mesure	-	-	-
02FOR01	Passe-câbles latérale ou central Ø6	-	-	-
02RET02	Câblage, matière plastique	1	0,07	1
02VER01	Vertèbre, méthacrylate opaline	1	0,007	1,5
02CPU03	Support CPU, méthacrylate opaline	1	0,14	5,5



NORI VERRE

Extensible - Profondeur 80 cm

Finition piètement:

Aluminium anodisé

Aluminium laqué blanc (semblable à la teinte RAL 9016)

Aluminium laqué noir (semblable à la teinte RAL 9004)

Finition du plateau:

Verre brillant coloris: extra white, gris anthracite, noir, titane

Verre mat coloris: extra white, gris anthracite, noir, titane

Finition des rallonges:

Laminé Alucompact® blanc

Laminé Alucompact® gris sable

Laminé Alucompact® gris anthracite

Laminé Alucompact® noir

Notes:

Pour les modèles de table marqués d'un astérisque (*), il est possible d'ajouter une troisième rallonge pour augmenter davantage l'extension.

Attention: les dimensions et les finitions marquées par un point d'exclamation (!) ont des délais de production plus longs (environ 6 semaines à partir de la date de la commande).

Les tables qui une fois allongées font plus de 250 cm présentent une légère flexion du plateau qui respecte les standards de qualité acceptés.

Emballages renforcés, voir intérieur de la couverture.

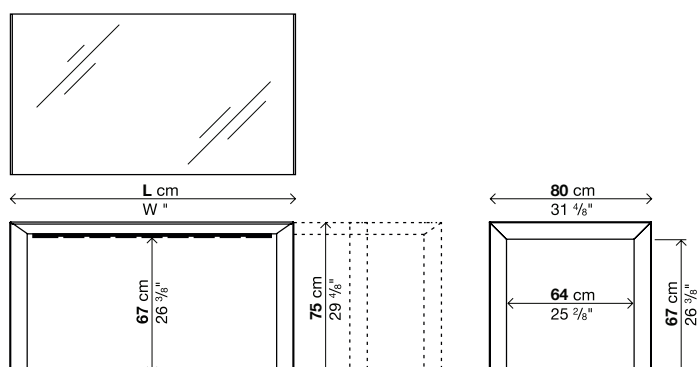
Code	Longueur	Pieds	Plateau		colis	m ²	Kg
			Verre brillant	Verre mat			
01NOR11	114-154-194	Aluminium			3	0,32	64
		Laqué					
01NOR12	139-179-219	Aluminium			3	0,37	72
		Laqué					
01NOR16*	166-206-246	Aluminium			3	0,42	79
		Laqué					

(* 3ème rallonge supplémentaire

Code	Longueur	Plateau	colis	m ²	Kg
		Alucompact®			
50SUS5A	33 cm		1	0,03	6

Optionals

Code	Description	colis	m ²	Kg
02GTA02	Coupe des pieds sur mesure	-	-	-



NORI VERRE

Fixe - Profondeur 80 cm

Finition piétement:

Aluminium anodisé

Aluminium laqué blanc (semblable à la teinte RAL 9016)

Aluminium laqué noir (semblable à la teinte RAL 9004)

Finition du plateau:

Verre brillant coloris: extra white, gris anthracite, noir, titane

Verre mat coloris: extra white, gris anthracite, noir, titane

Notes:

Attention: les dimensions et les finitions marquées par un point d'exclamation (!) ont des délais de production plus longs (environ 6 semaines à partir de la date de la commande).

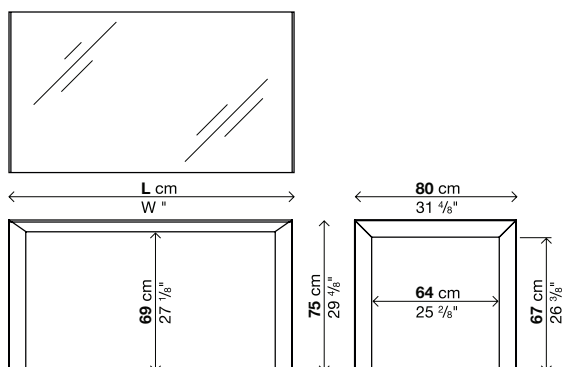
Les tables qui une fois allongées font plus de 250 cm présentent une légère flexion du plateau qui respecte les standards de qualité acceptés.

Emballages renforcés, voir intérieur de la couverture.

Code	Longueur	Pieds	Plateau		colis m ³ Kg
			Verre brillant	Verre mat	
01NOR11F	114	Aluminium			1 0,27 44
		Laqué			
01NOR12F	139	Aluminium			1 0,32 52
		Laqué			
01NOR29F	166	Aluminium			1 0,37 58
		Laqué			
01NOR34F	189	Aluminium			1 0,41 66
		Laqué			
01NOR36F	209	Aluminium			1 0,45 72
		Laqué			
01NOR38F	229 (!)	Aluminium			1 0,49 77
		Laqué			
01NOR44F	249 (!)	Aluminium			1 0,53 83
		Laqué			
01NOR46F	269 (!)	Aluminium			1 0,57 88
		Laqué			
01NOR48F	289 (!)	Aluminium			1 0,61 94
		Laqué			

Optionals

Code	Description	colis m ³ Kg
02GTA02	Coupe des pieds sur mesure	- - -
02RET01	Câblage, matière plastique	1 0,07 1
02VER01	Vertèbre, méthacrylate opaline	1 0,007 1,5
02CPU01	Support CPU, méthacrylate opaline	1 0,14 5,5



NORI VERRE

Extensible - Profondeur 90 cm

Finition piètement:

Aluminium anodisé

Aluminium laqué blanc (semblable à la teinte RAL 9016)

Aluminium laqué noir (semblable à la teinte RAL 9004)

Finition du plateau:

Verre brillant coloris: extra white, gris anthracite, noir, titane

Verre mat coloris: extra white, gris anthracite, noir, titane

Finition des rallonges:

Laminé Alucompact® blanc

Laminé Alucompact® gris sable

Laminé Alucompact® gris anthracite

Laminé Alucompact® noir

Notes:

Pour les modèles de table marqués d'un astérisque (*), il est possible d'ajouter une troisième rallonge pour augmenter davantage l'extension.

Attention: les dimensions et les finitions marquées par un point d'exclamation (!) ont des délais de production plus longs (environ 6 semaines à partir de la date de la commande).

Les tables qui une fois allongées font plus de 250 cm présentent une légère flexion du plateau qui respecte les standards de qualité acceptés.

Emballages renforcés, voir intérieur de la couverture.

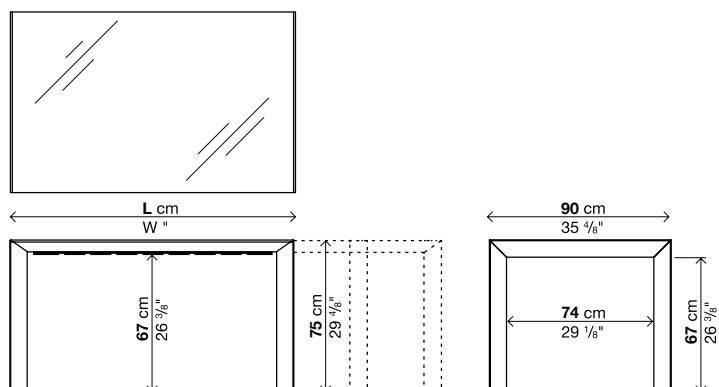
Code	Longueur	Pieds	Plateau		colis	m ²	Kg
			Verre brillant	Verre mat			
01NOR13	139-176-214	Aluminium			3	0,41	81
		Laqué					
01NOR14	166-203-241-278 3eme extension compris standard	Aluminium			4	0,5	96
		Laqué					
01NOR18*	189-226-263	Aluminium			3	0,51	98
		Laqué					
01NOR40*	209-246-283	Aluminium			3	0,55	105
		Laqué					

(* 3ème rallonge supplémentaire

Code	Longueur	Plateau	colis	m ²	Kg
		Alucompact®			
50SUS2A	37,5 cm		1	0,03	6,5

Optionals

Code	Description	colis	m ²	Kg
02GTA02	Coupe des pieds sur mesure	-	-	-



NORI VERRE

Fixe - Profondeur 90 cm

Finition piètement:

Aluminium anodisé

Aluminium laqué blanc (semblable à la teinte RAL 9016)

Aluminium laqué noir (semblable à la teinte RAL 9004)

Finition du plateau:

Verre brillant coloris: extra white, gris anthracite, noir, titane

Verre mat coloris: extra white, gris anthracite, noir, titane

Notes:

Attention: les dimensions et les finitions marquées par un point d'exclamation (!) ont des délais de production plus longs (environ 6 semaines à partir de la date de la commande).

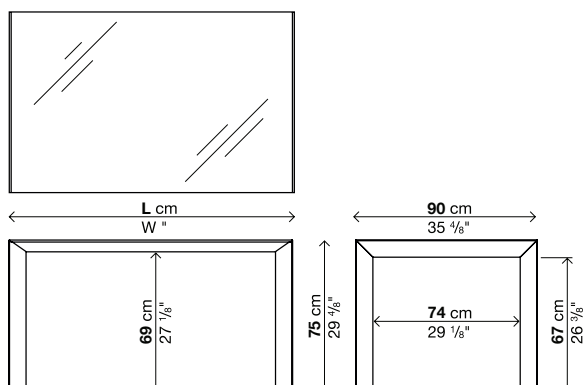
Les tables qui une fois allongées font plus de 250 cm présentent une légère flexion du plateau qui respecte les standards de qualité acceptés.

Emballages renforcés, voir intérieur de la couverture.

Code	Longueur	Pieds	Plateau		colis	m ³	Kg
			Verre brillant	Verre mat			
01NOR52F	114	Aluminium			1	0,3	51
		Laqué					
01NOR13F	139	Aluminium			1	0,36	58
		Laqué					
01NOR14F	166	Aluminium			1	0,42	67
		Laqué					
01NOR54F	189	Aluminium			1	0,46	74
		Laqué					
01NOR40F	209	Aluminium			1	0,5	80
		Laqué					
01NOR56F	229 (!)	Aluminium			1	0,55	86
		Laqué					
01NOR58F	249 (!)	Aluminium			1	0,59	92
		Laqué					
01NOR60F	269 (!)	Aluminium			1	0,63	103
		Laqué					
01NOR62F	289 (!)	Aluminium			1	0,67	109
		Laqué					

Optionals

Code	Description	colis	m ³	Kg
02GTA02	Coupe des pieds sur mesure	-	-	-
02RET02	Câblage, matière plastique	1	0,07	1
02VER01	Vertèbre, méthacrylate opaline	1	0,007	1,5
02CPU02	Support CPU, méthacrylate opaline	1	0,14	5,5



NORI VERRE

Extensible - Profondeur 100 cm

Finition piètement:

Aluminium anodisé

Aluminium laqué blanc (semblable à la teinte RAL 9016)

Aluminium laqué noir (semblable à la teinte RAL 9004)

Finition du plateau:

Verre brillant coloris: extra white, gris anthracite, noir, titane

Verre mat coloris: extra white, gris anthracite, noir, titane

Finition des rallonges:

Laminé Alucompact® blanc

Laminé Alucompact® gris sable

Laminé Alucompact® gris anthracite

Laminé Alucompact® noir

Notes:

Pour les modèles de table marqués d'un astérisque (*), il est possible d'ajouter une troisième rallonge pour augmenter davantage l'extension.

Attention: les dimensions et les finitions marquées par un point d'exclamation (!) ont des délais de production plus longs (environ 6 semaines à partir de la date de la commande).

Les tables qui une fois allongées font plus de 250 cm présentent une légère flexion du plateau qui respecte les standards de qualité acceptés.

Emballages renforcés, voir intérieur de la couverture.

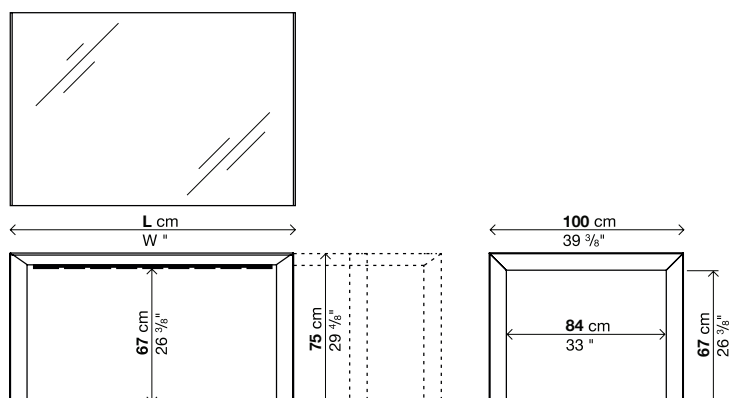
Code	Longueur	Pieds	Plateau		colis	m ²	Kg
			Verre brillant	Verre mat			
01NOR15*	166-213-260	Aluminium			3	0,52	101
		Laqué					
01NOR19*	189-236-283	Aluminium			3	0,57	108
		Laqué					
01NOR17*	209-256-303	Aluminium			3	0,62	118
		Laqué					

(* 3ème rallonge supplémentaire

Code	Longueur	Plateau		colis	m ²	Kg
		Alucompact®				
50SUS6A	33 cm			1	0,03	6

Optionals

Code	Description	colis	m ²	Kg
02GTA02	Coupe des pieds sur mesure	-	-	-



NORI VERRE

Fixe - Profondeur 100 cm

Finition piètement:

Aluminium anodisé

Aluminium laqué blanc (semblable à la teinte RAL 9016)

Aluminium laqué noir (semblable à la teinte RAL 9004)

Finition du plateau:

Verre brillant coloris: extra white, gris anthracite, noir, titane

Verre mat coloris: extra white, gris anthracite, noir, titane

Notes:

Attention: les dimensions et les finitions marquées par un point d'exclamation (!) ont des délais de production plus longs (environ 6 semaines à partir de la date de la commande).

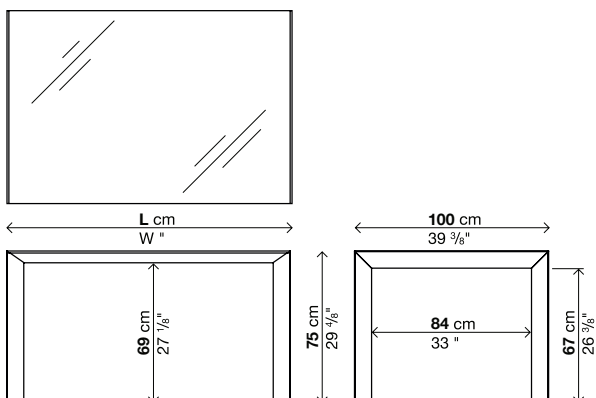
Les tables qui une fois allongées font plus de 250 cm présentent une légère flexion du plateau qui respecte les standards de qualité acceptés.

Emballages renforcés, voir intérieur de la couverture.

Code	Longueur	Pieds	Plateau		colis m ³ Kg
			Verre brillant	Verre mat	
01NOR66F	139	Aluminium			1 0,39 63
		Laqué			
01NOR15F	166	Aluminium			1 0,45 72
		Laqué			
01NOR18F	189	Aluminium			1 0,5 80
		Laqué			
01NOR17F	209	Aluminium			1 0,55 87
		Laqué			
01NOR19F	229 (!)	Aluminium			1 0,6 93
		Laqué			
01NOR68F	249 (!)	Aluminium			1 0,65 100
		Laqué			
01NOR70F	269 (!)	Aluminium			1 0,69 110
		Laqué			
01NOR42F	289 (!)	Aluminium			1 0,74 118
		Laqué			

Optionals

Code	Description	colis m ³ Kg
02GTA02	Coupe des pieds sur mesure	- - -
02RET03	Câblage, matière plastique	1 0,07 1
02VER01	Vertèbre, méthacrylate opaline	1 0,007 1,5
02CPU03	Support CPU, méthacrylate opaline	1 0,14 5,5



NORI VERRE

Fixe - Profondeur 124 cm

Finition piètement:

Aluminium anodisé

Aluminium laqué blanc (semblable à la teinte RAL 9016)

Aluminium laqué noir (semblable à la teinte RAL 9004)

Finition du plateau:

Verre brillant coloris: extra white, gris anthracite, noir, titane

Verre mat coloris: extra white, gris anthracite, noir, titane

Notes:

Attention: les dimensions et les finitions marquées par un point d'exclamation (!) ont des délais de production plus longs (environ 6 semaines à partir de la date de la commande).

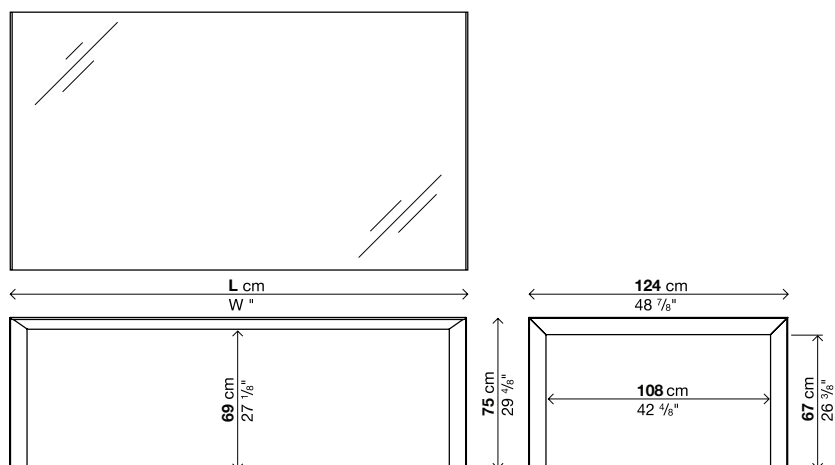
Les tables qui une fois allongées font plus de 250 cm présentent une légère flexion du plateau qui respecte les standards de qualité acceptés.

Emballages renforcés, voir intérieur de la couverture.

Code	Longueur	Pieds	Plateau		colis	m ³	Kg
			Verre brillant	Verre mat			
01NOR72F	209 (!)	Aluminium			1	0,66	109
		Laqué					
01NOR74F	229 (!)	Aluminium			1	0,72	118
		Laqué					
01NOR76F	277 (!)	Aluminium			1	0,85	140
		Laqué					

Optionals

Code	Description	colis	m ³	Kg
02GTA02	Coupe des pieds sur mesure	-	-	-
02RET04	Câblage, matière plastique	1	0,07	1
02VER01	Vertèbre, méthacrylate opaline	1	0,007	1,5
02CPU04	Support CPU, méthacrylate opaline	1	0,14	5,5



NORI

Dimensiones

Prof. 80 cm Depth 314/8"

80	114 cm 447/8"	→ Alucompact® → Pure-white → Cristal
	114/154/194 cm 447/8/605/8/763/8"	→ Alucompact® → Pure-white → Cristal
	139 cm 546/8"	→ Alucompact® → Pure-white → Cristal
	139/179/219 cm 546/8/704/8/862/8"	→ Alucompact® → Pure-white → Cristal
	166 cm 653/8"	→ Alucompact® → Pure-white → Cristal
	166/206/246 cm 653/8/811/8/967/8"	→ Alucompact® → Pure-white → Cristal *
	189 cm 743/8"	→ Alucompact® → Pure-white → Cristal
	209 cm 822/8"	→ Alucompact® → Pure-white → Cristal
	229 cm 901/8"	→ Alucompact® → Pure-white → Cristal
	249 cm 98"	→ Alucompact® → Pure-white → Cristal
	269 cm 1057/8"	→ Alucompact® → Pure-white → Cristal
	289 cm 1136/8"	→ Alucompact® → Pure-white → Cristal

Prof. 90 cm Depth 353/8"

90	114 cm 447/8"	→ Alucompact® → Pure-white → Cristal
	139 cm 546/8"	→ Alucompact® → Pure-white → Fenix-NTM® → Cristal → DEKTON®
	139/176/214 cm 546/8/692/8/842/8"	→ Alucompact® → Pure-white → Fenix-NTM® → Cristal → DEKTON®
	166 cm 653/8"	→ Alucompact® → Pure-white → Fenix-NTM® → Cristal → DEKTON®
	166/203/241/278 cm 653/8/797/8/947/8/1094/8"	→ Alucompact® → Pure-white → Fenix-NTM® → Cristal
	166/203/241 cm 653/8/797/8/947/8"	→ DEKTON®
	166/201/236/271 cm 653/8/791/8/927/8/1066/8"	→ Madera
	189 cm 743/8"	→ Alucompact® → Pure-white → Fenix-NTM® → Cristal → DEKTON® → Madera
	189/226/263 cm 743/8/89/1034/8"	→ Alucompact® → Pure-white → Fenix-NTM® → Cristal *
	189/226/263 cm 743/8/89/1034/8"	→ DEKTON®
	189/224/259/294 cm 743/8/882/8/102/1156/8"	→ Madera
	209 cm 822/8"	→ Alucompact® → Pure-white → Fenix-NTM® → Cristal → Madera
	209/246/283 cm 822/8/967/8/1113/8"	→ Alucompact® → Pure-white → Fenix-NTM® → Cristal *
	209/253/297 cm 822/8/995/8/1167/8"	→ Madera
	229 cm 901/8"	→ Alucompact® → Pure-white → Cristal → DEKTON® → Madera
	249 cm 98"	→ Alucompact® → Pure-white → Cristal → Madera
	269 cm 1057/8"	→ Alucompact® → Pure-white → Cristal → Madera
	289 cm 1136/8"	→ Alucompact® → Pure-white → Cristal → Madera

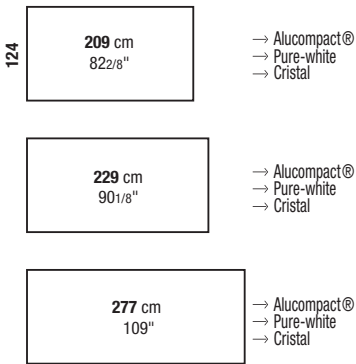
Prof. 100 cm Depth 393/8"

100	139 cm 546/8"	→ Alucompact® → Pure-white → Cristal
	166 cm 653/8"	→ Alucompact® → Pure-white → Fenix-NTM® → Cristal → DEKTON®
	166/213/260 cm 653/8/837/8/1023/8"	→ Alucompact® → Pure-white → Fenix-NTM® → Cristal *
	166/203/240 cm 653/8/797/8/944/8"	→ DEKTON®
	166/201/236/271 cm 653/8/791/8/927/8/1066/8"	→ Madera
	189 cm 743/8"	→ Alucompact® → Pure-white → Fenix-NTM® → Cristal → DEKTON® → Madera
	189/236/283 cm 743/8/927/8/1113/8"	→ Alucompact® → Pure-white → Fenix-NTM® → Cristal *
	189/226/263 cm 743/8/89/1034/8"	→ DEKTON®
	189/224/259/294 cm 743/8/882/8/102/1156/8"	→ Madera
	209 cm 822/8"	→ Alucompact® → Pure-white → Fenix-NTM® → Cristal → Madera
	209/256/303 cm 822/8/1006/8/1192/8"	→ Alucompact® → Pure-white → Fenix-NTM® → Cristal *
	209/253/297 cm 822/8/995/8/1167/8"	→ Madera
	229 cm 901/8"	→ Alucompact® → Pure-white → Cristal → DEKTON® → Madera
	249 cm 98"	→ Alucompact® → Pure-white → Cristal → Madera
	269 cm 1057/8"	→ Alucompact® → Pure-white → Cristal → DEKTON® → Madera
	289 cm 1136/8"	→ Alucompact® → Pure-white → Cristal → Madera

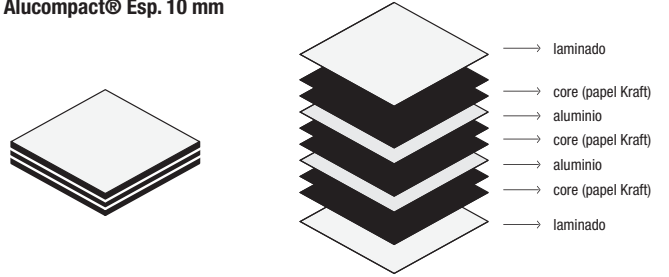
* = 3' prolongación adicional (bajo petición)

Sobres

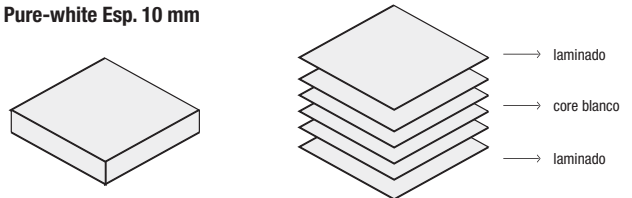
Prof. 124 cm
Depth 48 3/8"



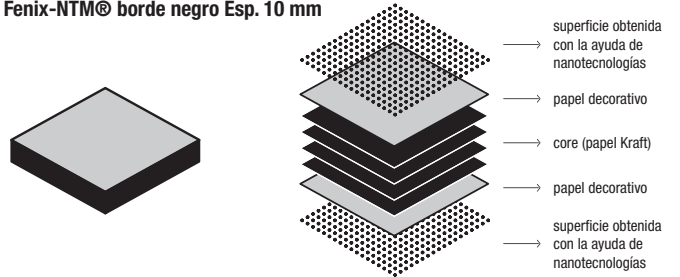
Alucompact® Esp. 10 mm



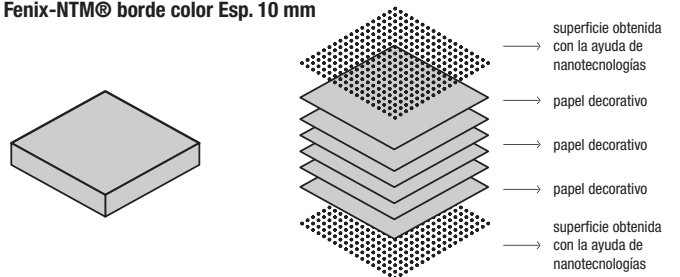
Pure-white Esp. 10 mm



Fenix-NTM® borde negro Esp. 10 mm



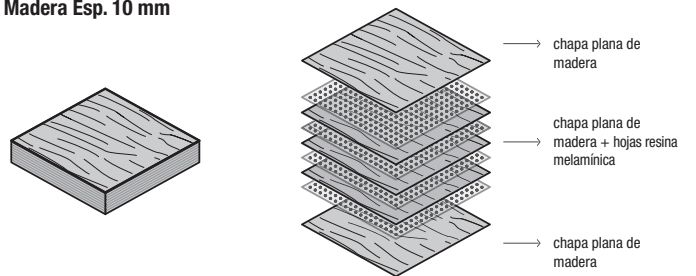
Fenix-NTM® borde color Esp. 10 mm



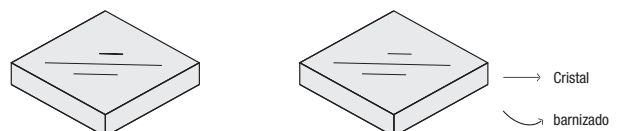
DEKTON® by Cosentino Esp. 8 mm



Madera Esp. 10 mm



Cristal Esp. 10 mm



NORI ALUcompact® / PURE-WHITE

Extensible - Profundidad 80 cm

Acabado patas:

Aluminio anodizado

Aluminio barnizado blanco (parecido al RAL 9016)

Aluminio barnizado "Alucompact® gris arena" (parecido al RAL 9002)

Aluminio barnizado "Alucompact® gris antracita" (parecido al RAL 7015)

Aluminio barnizado negro (parecido al RAL 9004)

Acabado sobre/prolongaciones:

Laminado Alucompact® (blanco, gris arena, gris antracita, negro)

Laminado Pure-white blanco

Notas:

En las mesas con códigos marcados con un asterisco (*) existe la posibilidad de añadir la tercera prolongación para alargarlas todavía más.

Atención: las medidas o los acabados marcados con (!) tienen los tiempos de producción más largos, de aproximadamente 6 semanas desde la fecha del pedido.

Embalajes reforzados, ver lado interno de la portada.

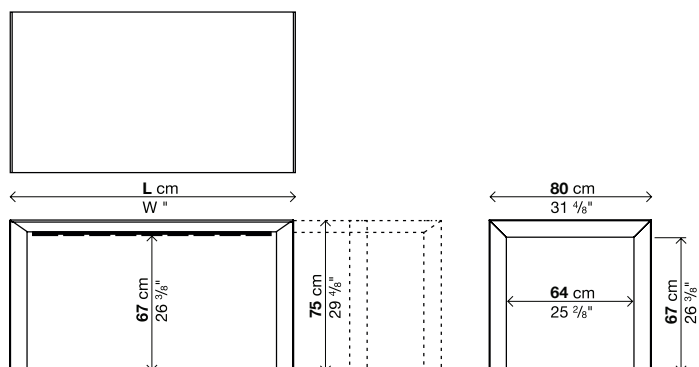
Código	Longitud	Patas	Sobre		pack	m ³	Kg
			Alucompact®	Pure-white (!)			
01NOR01	114-154-194	Aluminium			3	0,32	63
		Barnizado					
01NOR02	139-179-219	Aluminium			3	0,37	69
		Barnizado					
01NOR07*	166-206-246	Aluminium			3	0,42	75
		Barnizado					

(*) 3ª prolongación adicional

Código	Longitud	Sobre		pack	m ³	Kg
		Alucompact®	Pure-white			
50SUS5A	33 cm			1	0,03	6

Opcionales

Código	Descripción	pack	m ³	Kg
02GTA02	Corte pata a medida	-	-	-



NORI ALUCOMPACT® / PURE-WHITE

Fija - Profundidad 80 cm

Acabado patas:

Aluminio anodizado

Aluminio barnizado blanco (parecido al RAL 9016)

Aluminio barnizado "Alucompact® gris arena" (parecido al RAL 9002)

Aluminio barnizado "Alucompact® gris antracita" (parecido al RAL 7015)

Aluminio barnizado negro (parecido al RAL 9004)

Acabado sobre:

Laminado Alucompact® (blanco, gris arena, gris antracita, negro)

Laminado Pure-white blanco

Notas:

Atención: las medidas o los acabados marcados con (!) tienen los tiempos de producción más largos, de aproximadamente 6 semanas desde la fecha del pedido.

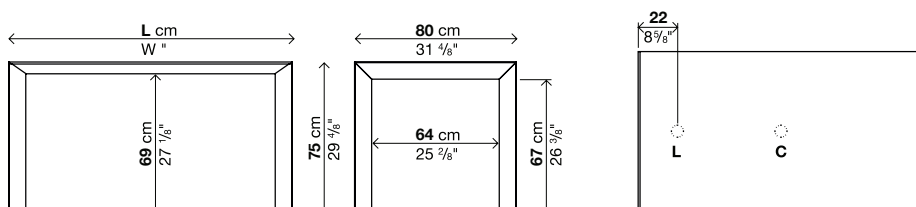
Las mesas que superan los 250 cm extendidas presentan una ligera flexión del sobre que respeta los estándares de calidad aceptados.

Embalajes reforzados, ver lado interno de la portada.

Código	Longitud	Patas	Sobre		pack	m³	Kg
			Alucompact®	Pure-white			
01NOR01F	114	Aluminium			1	0,27	35
		Barnizado					
01NOR02F	139	Aluminium			1	0,32	41
		Barnizado					
01NOR28F	166 (!)	Aluminium			1	0,37	47
		Barnizado					
01NOR33F	189 (!)	Aluminium			1	0,41	52
		Barnizado					
01NOR35F	209 (!)	Aluminium			1	0,45	56
		Barnizado					
01NOR37F	229 (!)	Aluminium			1	0,49	60
		Barnizado					
01NOR43F	249 (!)	Aluminium			1	0,53	65
		Barnizado					
01NOR45F	269 (!)	Aluminium			1	0,57	68
		Barnizado					
01NOR47F	289 (!)	Aluminium			1	0,61	72
		Barnizado					

Opcionales

Código	Descripción	pack	m³	Kg
02GTA02	Corte pata a medida	-	-	-
02FOR01	Orificio guiacables lateral o central Ø6	-	-	-
02RET01	Red de cable de plástico	1	0,07	1
02VER01	Vértebra, metacrilato opalino	1	0,007	1,5
02CPU01	Porta CPU, metacrilato opalino	1	0,14	5,5



NORI ALUCOMPACT® / PURE-WHITE / FENIX-NTM®

Extensible - Profundidad 90 cm

Acabado patas:

Aluminio anodizado
 Aluminio barnizado blanco (parecido al RAL 9016)
 Aluminio barnizado "Alucompact® gris arena" (parecido al RAL 9002)
 Aluminio barnizado "Alucompact® gris antracita" (parecido al RAL 7015)
 Aluminio barnizado "Fenix-NTM® gris Londres" (parecido al RAL Design0805005)
 Aluminio barnizado "Fenix-NTM® gris Bromo" (parecido al RAL 7012)
 Aluminio barnizado negro (parecido al RAL 9004)
 Aluminio barnizado verde oliva (para referencia color ver "Poliuretano verde oliva P008")

Acabado sobre/prolongaciones:

Laminado Alucompact® (blanco, gris arena, gris antracita, negro)

 Laminado Pure-white blanco

 Fenix-NTM® borde negro (blanco Kos 0032, gris Londres 0718, gris Bromo 0724, negro Ingo 0720)

 Fenix-NTM® borde color (blanco Kos 0032, gris Londres 0718)

Notas:

En las mesas con códigos marcados con un asterisco (*) existe la posibilidad de añadir la tercera prolongación para alargarlas todavía más.

Atención: las medidas o los acabados marcados con (!) tienen los tiempos de producción más largos, de aproximadamente 6 semanas desde la fecha del pedido.

Embalajes reforzados, ver lado interno de la portada.

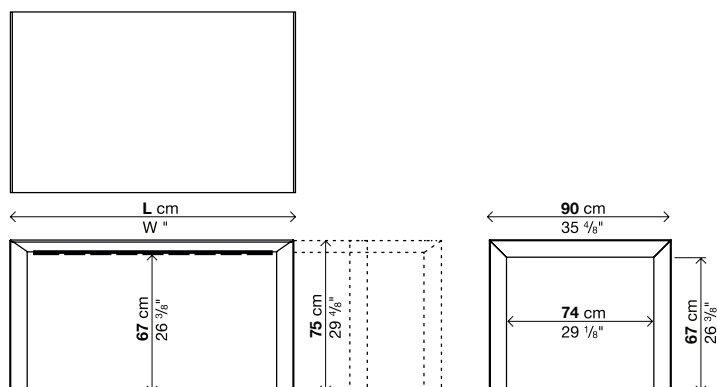
Código	Longitud	Patas	Sobre				pack	m ²	Kg
			Alucompact®	Fenix-NTM® borde negro	Pure-white	Fenix-NTM® borde color			
01NOR03	139-176-214	Aluminium					3	0,41	71
		Barnizado							
01NOR04	166-203-241-278 Tercera prolongación de serie	Aluminium					4	0,5	81
		Barnizado							
01NOR08*	189-226-263	Aluminium					3	0,51	82
		Barnizado							
01NOR30*	209-246-283	Aluminium					3	0,55	88
		Barnizado							

(*) 3ª prolongación adicional

Código	Longitud	Sobre				pack	m ²	Kg
		Alucompact®	Fenix-NTM® borde negro	Pure-white	Fenix-NTM® borde color			
50SUS2A	37,5 cm					1	0,03	6,5

Opcionales

Código	Descripción	pack	m ²	Kg
02GTA02	Corte pata a medida	-	-	-



NORI ALUCOMPACT® / PURE-WHITE / FENIX-NTM®

Fija - Profundidad 90 cm

Acabado patas:

Aluminio anodizado
 Aluminio barnizado blanco (parecido al RAL 9016)
 Aluminio barnizado "Alucompact® gris arena" (parecido al RAL 9002)
 Aluminio barnizado "Alucompact® gris antracita" (parecido al RAL 7015)
 Aluminio barnizado "Fenix-NTM® gris Londres" (parecido al RAL Design0805005)
 Aluminio barnizado "Fenix-NTM® gris Bromo" (parecido al RAL 7012)
 Aluminio barnizado negro (parecido al RAL 9004)
 Aluminio barnizado verde oliva (para referencia color ver "Poliuretano verde oliva P008")

Acabado sobre:

Laminado Alucompact® (blanco, gris arena, gris antracita, negro)

 Laminado Pure-white blanco

 Fenix-NTM® borde negro (blanco Kos 0032, gris Londres 0718, gris Bromo 0724, negro Ingo 0720)

 Fenix-NTM® borde color (blanco Kos 0032, gris Londres 0718)

Notas:

Atención: las medidas o los acabados marcados con (!) tienen los tiempos de producción más largos, de aproximadamente 6 semanas desde la fecha del pedido.

Las mesas que superan los 250 cm extendidas presentan una ligera flexión del sobre que respeta los estándares de calidad aceptados.

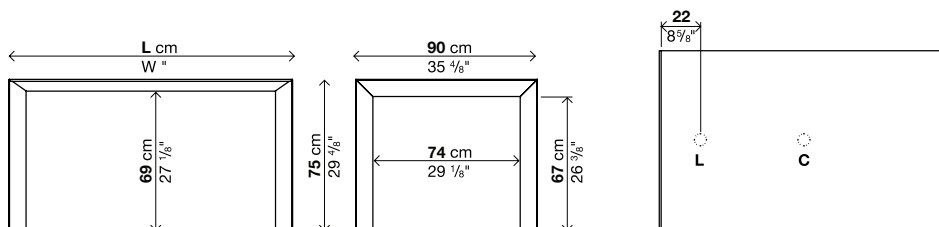
Las mesas de 269 y 289 cm de longitud presentan una barra de soporte central bajo el sobre, de manera que los posibles orificios pasacables no podrán colocarse centrados en la profundidad, sino ligeramente desplazados.

Embalajes reforzados, ver lado interno de la portada.

Código	Longitud	Patas	Sobre				pack	m ³	Kg
			Alucompact®	Fenix-NTM® borde negro	Pure-white	Fenix-NTM® borde color			
01NOR51F	114	Aluminium		-		-	1	0,3	41
		Barnizado		-		-			
01NOR03F	139	Aluminium					1	0,36	46
		Barnizado							
01NOR04F	166	Aluminium					1	0,42	52
		Barnizado							
01NOR53F	189	Aluminium					1	0,46	57
		Barnizado							
01NOR30F	209	Aluminium					1	0,5	62
		Barnizado							
01NOR55F	229 (!)	Aluminium		-		-	1	0,55	66
		Barnizado		-		-			
01NOR57F	249 (!)	Aluminium		-		-	1	0,59	71
		Barnizado		-		-			
01NOR59F	269 (!)	Aluminium		-		-	1	0,63	79
		Barnizado		-		-			
01NOR61F	289 (!)	Aluminium		-		-	1	0,67	85
		Barnizado		-		-			

Opcionales

Código	Descripción	pack	m ³	Kg
02GTA02	Corte pata a medida	-	-	-
02FOR01	Orificio guíacables lateral o central Ø6	-	-	-
02RETO2	Red de cable de plástico	1	0,07	1
02VER01	Vértebra, metacrilato opalino	1	0,007	1,5
02CPU02	Porta CPU, metacrilato opalino	1	0,14	5,5



NORI ALUcompact® / PURE-WHITE / FENIX-NTM®

Extensible - Profundidad 100 cm

Acabado patas:

Aluminio anodizado
 Aluminio barnizado blanco (parecido al RAL 9016)
 Aluminio barnizado "Alucompact® gris arena" (parecido al RAL 9002)
 Aluminio barnizado "Alucompact® gris antracita" (parecido al RAL 7015)
 Aluminio barnizado "Fenix-NTM® gris Londres" (parecido al RAL Design0805005)
 Aluminio barnizado "Fenix-NTM® gris Bromo" (parecido al RAL 7012)
 Aluminio barnizado negro (parecido al RAL 9004)
 Aluminio barnizado verde oliva (para referencia color ver "Poliuretano verde oliva P008")

Acabado sobre/prolongaciones:

Laminado Alucompact® (blanco, gris arena, gris antracita, negro)

 Laminado Pure-white blanco

 Fenix-NTM® borde negro (blanco Kos 0032, gris Londres 0718, gris Bromo 0724, negro Ingo 0720)

 Fenix-NTM® borde color (blanco Kos 0032, gris Londres 0718)

Notas:

En las mesas con códigos marcados con un asterisco (*) existe la posibilidad de añadir la tercera prolongación para alargarlas todavía más.

Atención: las medidas o los acabados marcados con (!) tienen los tiempos de producción más largos, de aproximadamente 6 semanas desde la fecha del pedido.

Embalajes reforzados, ver lado interno de la portada.

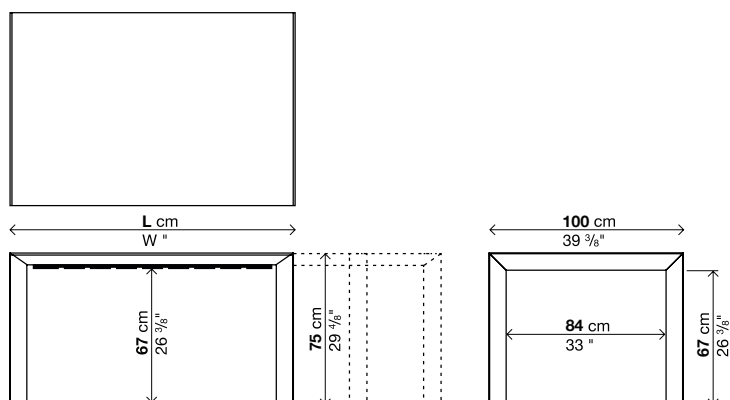
Código	Longitud	Patas	Sobre				pack	m ²	Kg
			Alucompact®	Fenix-NTM® borde negro	Pure-white	Fenix-NTM® borde color			
01NOR05	166-213-260	Aluminium					3	0,52	85
		Barnizado							
01NOR09*	189-236-283	Aluminium					3	0,57	92
		Barnizado							
01NOR06*	209-256-303	Aluminium					3	0,62	98
		Barnizado							

(*) 3ª prolongación adicional

Código	Longitud	Sobre				pack	m ²	Kg
		Alucompact®	Fenix-NTM® borde negro	Pure-white	Fenix-NTM® borde color			
50SUS6A	33 cm					1	0,03	6

Opcionales

Código	Descripción	pack	m ²	Kg
02GTA02	Corte pata a medida	-	-	-



NORI ALUCOMPACT® / PURE-WHITE / FENIX-NTM®

Fija - Profundidad 100 cm

Acabado patas:

Aluminio anodizado

Aluminio barnizado blanco (parecido al RAL 9016)

Aluminio barnizado "Alucompact® gris arena" (parecido al RAL 9002)

Aluminio barnizado "Alucompact® gris antracita" (parecido al RAL 7015)

Aluminio barnizado "Fenix-NTM® gris Londres" (parecido al RAL Design0805005)

Aluminio barnizado "Fenix-NTM® gris Bromo" (parecido al RAL 7012)

Aluminio barnizado negro (parecido al RAL 9004)

Aluminio barnizado verde oliva (para referencia color ver "Poliuretano verde oliva P008")

Acabado sobre:

Laminado Alucompact® (blanco, gris arena, gris antracita, negro)

Laminado Pure-white blanco

Fenix-NTM® borde negro (blanco Kos 0032, gris Londres 0718, gris Bromo 0724, negro Ingo 0720)

Fenix-NTM® borde color (blanco Kos 0032, gris Londres 0718)

Notas:

Atención: las medidas o los acabados marcados con (!) tienen los tiempos de producción más largos, de aproximadamente 6 semanas desde la fecha del pedido.

Las mesas que superan los 250 cm extendidas presentan una ligera flexión del sobre que respeta los estándares de calidad aceptados.

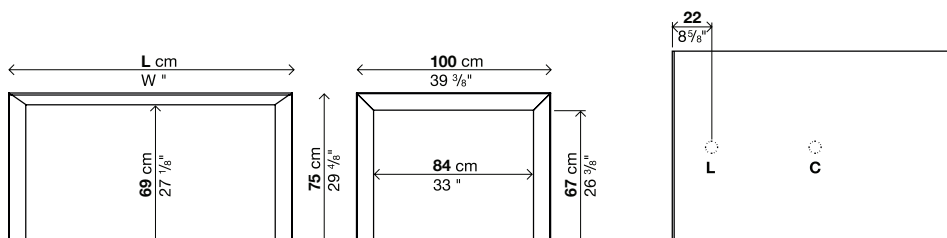
Las mesas de 269 y 289 cm de longitud presentan una barra de soporte central bajo el sobre, de manera que los posibles orificios pasacables no podrán colocarse centrados en la profundidad, sino ligeramente desplazados.

Embalajes reforzados, ver lado interno de la portada.

Código	Longitud	Patas	Sobre				pack	m ³	Kg
			Alucompact®	Fenix-NTM® borde negro	Pure-white	Fenix-NTM® borde color			
01NOR65F	139	Aluminium		-		-	1	0,39	50
		Barnizado		-		-			
01NOR05F	166	Aluminium					1	0,45	56
		Barnizado							
01NOR07F	189	Aluminium					1	0,5	62
		Barnizado							
01NOR06F	209	Aluminium					1	0,55	67
		Barnizado							
01NOR08F	229 (!)	Aluminium		-		-	1	0,6	72
		Barnizado		-		-			
01NOR67F	249 (!)	Aluminium		-		-	1	0,65	77
		Barnizado		-		-			
01NOR69F	269 (!)	Aluminium		-		-	1	0,69	85
		Barnizado		-		-			
01NOR32F	289 (!)	Aluminium		-		-	1	0,74	90
		Barnizado		-		-			

Opcionales

Código	Descripción	pack	m ³	Kg
02GTA02	Corte pata a medida	-	-	-
02FOR01	Orificio guiacables lateral o central Ø6	-	-	-
02RET03	Red de cable de plástico	1	0,07	1
02VER01	Vértebra, metacrilato opalino	1	0,007	1,5
02CPU03	Porta CPU, metacrilato opalino	1	0,14	5,5



NORI ALUcompact® / PURE-WHITE

Fija - Profundidad 124 cm

Acabado patas:

Aluminio anodizado
 Aluminio barnizado blanco (parecido al RAL 9016)
 Aluminio barnizado "Alucompact® gris arena" (parecido al RAL 9002)
 Aluminio barnizado "Alucompact® gris antracita" (parecido al RAL 7015)
 Aluminio barnizado negro (parecido al RAL 9004)
 Aluminio barnizado verde oliva (para referencia color ver "Poliuretano verde oliva P008")

Acabado sobre:

Laminado Alucompact® (blanco, gris arena, gris antracita, negro)

Laminado Pure-white blanco

Notas:

Atención: las medidas o los acabados marcados con (!) tienen los tiempos de producción más largos, de aproximadamente 6 semanas desde la fecha del pedido.

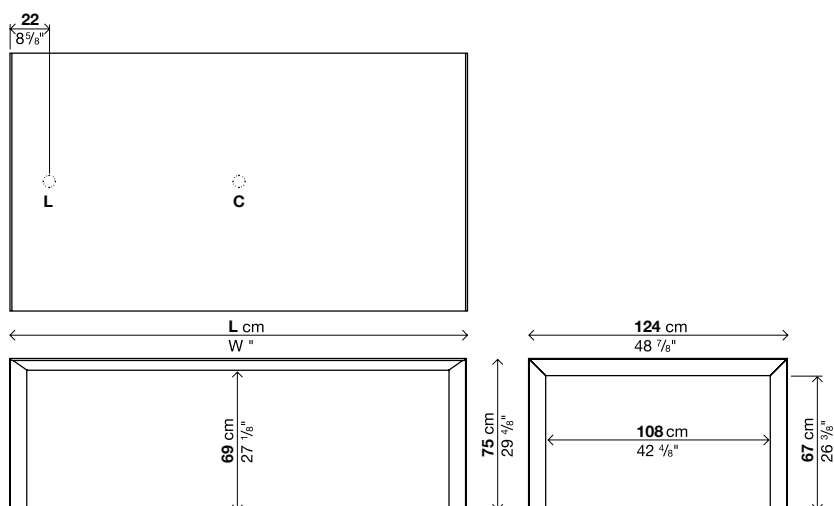
Las mesas que superan los 250 cm extendidas presentan una ligera flexión del sobre que respeta los estándares de calidad aceptados.

Embalajes reforzados, ver lado interno de la portada.

Código	Longitud	Patas	Sobre		pack	m ³	Kg
			Alucompact®	Pure-white			
01NOR71F	209 (!)	Aluminium			1	0,66	86
		Barnizado					
01NOR73F	229 (!)	Aluminium			1	0,72	92
		Barnizado					
01NOR75F	277 (!)	Aluminium			1	0,85	108
		Barnizado					

Opcionales

Código	Descripción	pack	m ³	Kg
02GTA02	Corte pata a medida	-	-	-
02FOR01	Orificio guiacables lateral o central Ø6	-	-	-
02RET04	Red de cable de plástico	1	0,07	1
02VER01	Vértebra, metacrilato opalino	1	0,007	1,5
02CPU04	Porta CPU, metacrilato opalino	1	0,14	5,5



NORI DEKTON® BY COSENTINO

Extensible - Profundidad 90 cm

Acabado patas:

Aluminio anodizado
 Aluminio barnizado blanco (parecido al RAL 9016)
 Aluminio barnizado "gris Ventus"
 Aluminio barnizado verde oliva (para referencia color ver "Poliuretano verde oliva P008")

Acabado sobre:

DEKTON® blanco Zenith
 DEKTON® gris Ventus
 DEKTON® Aura (mármol digital)

Acabado prolongaciones:

Aluminio barnizado blanco (parecido al RAL 9016)
 Aluminio barnizado "gris Ventus"

Notas:

Atención: los veteados reproducidos sobre la superficie de los sobres de DEKTON® Aura (mármol digital) están dispuestos de modo casual, peculiaridad que hace que cada sobre resulte único e irrepetible. Esta característica implica posibles diferencias respecto a las muestras, que no pueden considerarse como imperfecciones o anomalías objeto de reclamación. Debido a la casualidad de su disposición, no es posible obtener bajo pedido veteados más o menos homogéneos.

Atención: las medidas o los acabados marcados con (!) tienen los tiempos de producción más largos, de aproximadamente 6 semanas desde la fecha del pedido.

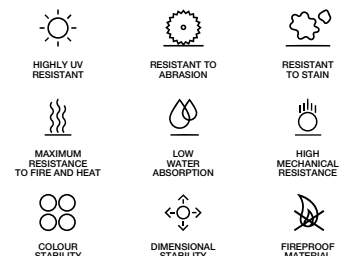
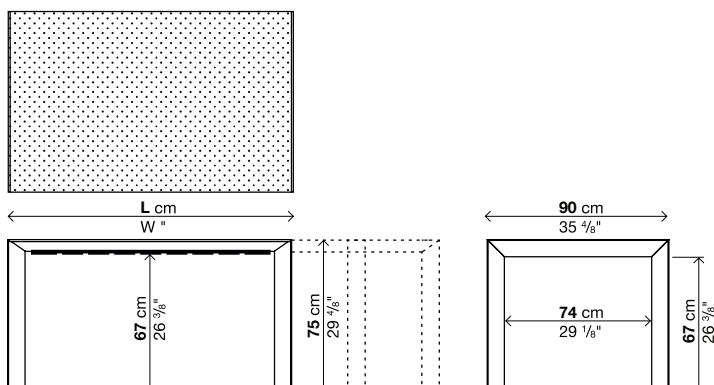
Las mesas que superan los 250 cm extendidas presentan una ligera flexión del sobre que respeta los estándares de calidad aceptados.

Embalajes reforzados, ver lado interno de la portada.

Código	Longitud	Patatas	Sobre	pack	m ²	Kg
			DEKTON®			
01NOR03	139-176-214	Aluminium		3	0,41	89
		Barnizado				
01NOR04	166-203-241	Aluminium		3	0,5	102
		Barnizado				
01NOR08	189-226-263	Aluminium		3	0,51	105
		Barnizado				

Opcionales

Código	Descripción	pack	m ²	Kg
02GTA02	Corte pata a medida	-	-	-



NORI DEKTON® BY COSENTINO

Fija - Profundidad 90 cm

Acabado patas:

Aluminio anodizado

Aluminio barnizado blanco (parecido al RAL 9016)

Aluminio barnizado "gris Ventus"

Aluminio barnizado verde oliva (para referencia color ver "Poliuretano verde oliva P008")

Acabado sobre:

DEKTON® blanco Zenith

DEKTON® gris Ventus

DEKTON® Aura (mármol digital)

Notas:

Atención: los veteados reproducidos sobre la superficie de los sobres de DEKTON® Aura (mármol digital) están dispuestos de modo casual, peculiaridad que hace que cada sobre resulte único e irrepetible. Esta característica implica posibles diferencias respecto a las muestras, que no pueden considerarse como imperfecciones o anomalías objeto de reclamación. Debido a la casualidad de su disposición, no es posible obtener bajo pedido veteados más o menos homogéneos.

Atención: las medidas o los acabados marcados con (!) tienen los tiempos de producción más largos, de aproximadamente 6 semanas desde la fecha del pedido.

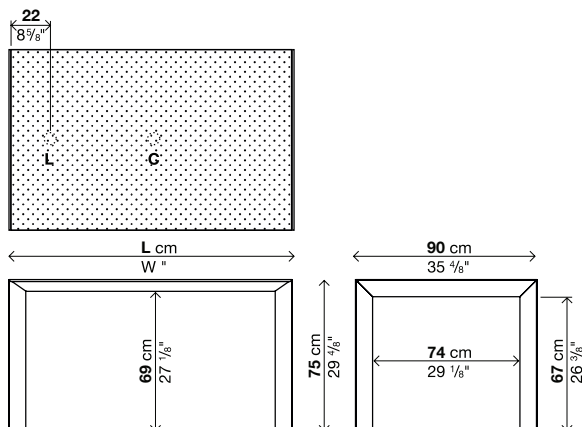
Las mesas que superan los 250 cm extendidas presentan una ligera flexión del sobre que respeta los estándares de calidad aceptados.

Embalajes reforzados, ver lado interno de la portada.

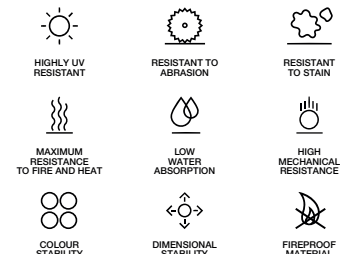
Código	Longitud	Patas	Sobre	pack	m ²	Kg
			DEKTON®			
01NOR03F	139 (!)	Aluminium		1	0,36	60
		Barnizado				
01NOR04F	166 (!)	Aluminium		1	0,42	69
		Barnizado				
01NOR53F	189 (!)	Aluminium		1	0,46	76
		Barnizado				

Opcionales

Código	Descripción	pack	m ²	Kg
02GTA02	Corte pata a medida	-	-	-
02RET02	Red de cable de plástico	1	0,07	1
02VER01	Vértebra, metacrilato opalino	1	0,007	1,5
02CPU02	Porta CPU, metacrilato opalino	1	0,14	5,5



DEKTON®
by COSENTINO



NORI DEKTON® BY COSENTINO

Extensible - Profundidad 100 cm

Acabado patas:

Aluminio anodizado
 Aluminio barnizado blanco (parecido al RAL 9016)
 Aluminio barnizado "gris Ventus"
 Aluminio barnizado verde oliva (para referencia color ver "Poliuretano verde oliva P008")

Acabado sobre:

DEKTON® blanco Zenith
 DEKTON® gris Ventus
 DEKTON® Aura (mármol digital)

Acabado prolongaciones:

Aluminio barnizado blanco (parecido al RAL 9016)
 Aluminio barnizado "gris Ventus"

Notas:

Atención: los veteados reproducidos sobre la superficie de los sobres de DEKTON® Aura (mármol digital) están dispuestos de modo casual, peculiaridad que hace que cada sobre resulte único e irrepetible. Esta característica implica posibles diferencias respecto a las muestras, que no pueden considerarse como imperfecciones o anomalías objeto de reclamación. Debido a la casualidad de su disposición, no es posible obtener bajo pedido veteados más o menos homogéneos.

Atención: las medidas o los acabados marcados con (!) tienen los tiempos de producción más largos, de aproximadamente 6 semanas desde la fecha del pedido.

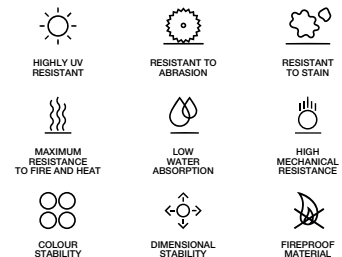
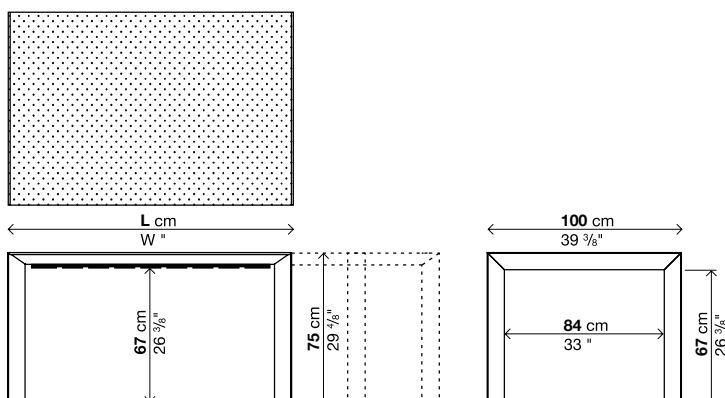
Las mesas que superan los 250 cm extendidas presentan una ligera flexión del sobre que respeta los estándares de calidad aceptados.

Embalajes reforzados, ver lado interno de la portada.

Código	Longitud	Patas	Sobre	pack	m ²	Kg
			DEKTON®			
01NOR05	166-203-240 (!)	Aluminium		3	0,52	108
		Barnizado				
01NOR09	189-226-263 (!)	Aluminium		3	0,57	118
		Barnizado				

Opcionales

Código	Descripción	pack	m ²	Kg
02GTA02	Corte pata a medida	-	-	-



NORI DEKTON® BY COSENTINO

Fija - Profundidad 100 cm

Acabado patas:

Aluminio anodizado

Aluminio barnizado blanco (parecido al RAL 9016)

Aluminio barnizado "gris Ventus"

Aluminio barnizado verde oliva (para referencia color ver "Poliuretano verde oliva PO08")

Acabado sobre:

DEKTON® blanco Zenith

DEKTON® gris Ventus

DEKTON® Aura (mármol digital)

Notas:

Atención: los veteados reproducidos sobre la superficie de los sobres de DEKTON® Aura (mármol digital) están dispuestos de modo casual, peculiaridad que hace que cada sobre resulte único e irrepetible. Esta característica implica posibles diferencias respecto a las muestras, que no pueden considerarse como imperfecciones o anomalías objeto de reclamación. Debido a la casualidad de su disposición, no es posible obtener bajo pedido veteados más o menos homogéneos.

Atención: las medidas o los acabados marcados con (!) tienen los tiempos de producción más largos, de aproximadamente 6 semanas desde la fecha del pedido.

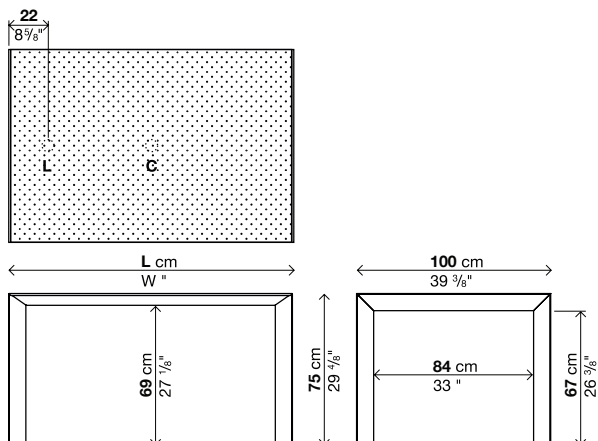
Las mesas que superan los 250 cm extendidas presentan una ligera flexión del sobre que respeta los estándares de calidad aceptados.

Embalajes reforzados, ver lado interno de la portada.

Código	Longitud	Patas	Sobre	pack	m ³	Kg
			DEKTON®			
01NOR05F	166 (!)	Aluminium		1	0,45	74
		Barnizado				
01NOR07F	189 (!)	Aluminium		1	0,5	83
		Barnizado				
01NOR08F	229 (!)	Aluminium		1	0,6	97
		Barnizado				
01NOR69F	269 (!)	Aluminium		1	0,69	115
		Barnizado				

Opcionales

Código	Descripción	pack	m ³	Kg
02GTA02	Corte pata a medida	-	-	-
02RET03	Red de cable de plástico	1	0,07	1
02VER01	Vértebra, metacrilato opalino	1	0,007	1,5
02CPU03	Porta CPU, metacrilato opalino	1	0,14	5,5



DEKTON®
by COSENTINO



HIGHLY UV RESISTANT



RESISTANT TO ABRASION



RESISTANT TO STAIN



MAXIMUM RESISTANCE TO FIRE AND HEAT



LOW WATER ABSORPTION



HIGH MECHANICAL RESISTANCE



COLOUR STABILITY



DIMENSIONAL STABILITY



FIREPROOF MATERIAL

NORI MADERA

Extensible - Profundidad 90 cm

Acabado patas:

Aluminio anodizado
 Aluminio barnizado blanco (parecido al RAL 9016)
 Aluminio barnizado "Alucompact® gris arena" (parecido al RAL 9002)
 Aluminio barnizado "Alucompact® gris antracita" (parecido al RAL 7015)
 Aluminio barnizado "Fenix-NTM® gris Londres" (parecido al RAL Design0805005)
 Aluminio barnizado negro (parecido al RAL 9004)
 Aluminio barnizado verde oliva (para referencia color ver "Poliuretano verde oliva P008")

Acabado sobre/prolongaciones:

Madera efecto roble europeo
 Madera efecto nogal
 Madera efecto roble teñido negro

Notas:

Atención: las medidas o los acabados marcados con (!) tienen los tiempos de producción más largos, de aproximadamente 6 semanas desde la fecha del pedido.

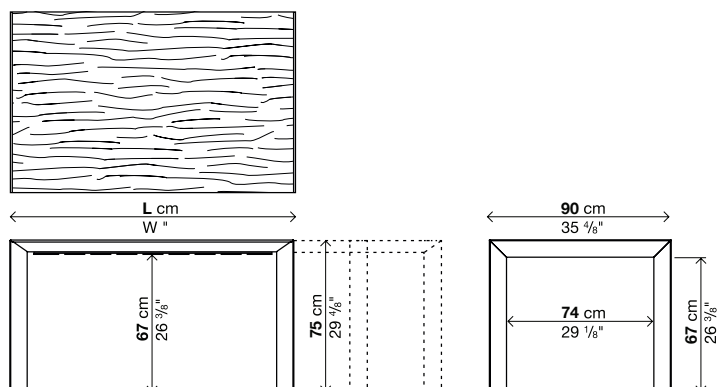
Las mesas que superan los 250 cm extendidas presentan una ligera flexión del sobre que respeta los estándares de calidad aceptados.

Embalajes reforzados, ver lado interno de la portada.

Código	Longitud	Patas	Sobre	pack	m ²	Kg
			Madera			
01NOR04	166-201-236-271 con tres extensiones	Aluminium		4	0,5	81
		Barnizado				
01NOR08	189-224-259-294 con tres extensiones	Aluminium		4	0,53	88,5
		Barnizado				
01NOR30	209-253-297 (!) con dos extensiones	Aluminium		3	0,55	88
		Barnizado				

Opcionales

Código	Descripción	pack	m ²	Kg
02GTA02	Corte pata a medida	-	-	-



NORI MADERA

Fija - Profundidad 90 cm

Acabado patas:

Aluminio anodizado

Aluminio barnizado blanco (parecido al RAL 9016)

Aluminio barnizado "Alucompact® gris arena" (parecido al RAL 9002)

Aluminio barnizado "Alucompact® gris antracita" (parecido al RAL 7015)

Aluminio barnizado "Fenix-NTM® gris Londres" (parecido al RAL Design0805005)

Aluminio barnizado negro (parecido al RAL 9004)

Aluminio barnizado verde oliva (para referencia color ver "Poliuretano verde oliva P008")

Acabado sobre:

Madera efecto roble europeo

Madera efecto nogal

Madera efecto roble teñido negro

Notas:

Atención: las medidas o los acabados marcados con (!) tienen los tiempos de producción más largos, de aproximadamente 6 semanas desde la fecha del pedido.

Las mesas que superan los 250 cm extendidas presentan una ligera flexión del sobre que respeta los estándares de calidad aceptados.

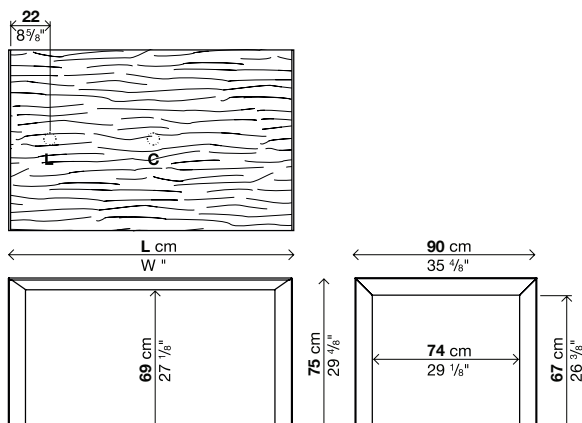
Las mesas de 269 y 289 cm de longitud presentan una barra de soporte central bajo el sobre, de manera que los posibles orificios pasacables no podrán colocarse centrados en la profundidad, sino ligeramente desplazados.

Embalajes reforzados, ver lado interno de la portada.

Código	Longitud	Patas	Sobre	
			pack	m ³ Kg
			Madera	
01NOR53F	189	Aluminium Barnizado	1	0,46 57
01NOR30F	209 (!)	Aluminium Barnizado	1	0,5 62
01NOR55F	229 (!)	Aluminium Barnizado	1	0,55 66
01NOR57F	249 (!)	Aluminium Barnizado	1	0,59 71
01NOR59F	269 (!)	Aluminium Barnizado	1	0,63 79
01NOR61F	289 (!)	Aluminium Barnizado	1	0,67 85

Opcionales

Código	Descripción	pack	m ³	Kg
02GTA02	Corte pata a medida	-	-	-
02FOR01	Orificio guíacables lateral o central Ø6	-	-	-
02RET02	Red de cable de plástico	1	0,07	1
02VER01	Vértebra, metacrilato opalino	1	0,007	1,5
02CPU02	Porta CPU, metacrilato opalino	1	0,14	5,5



NORI MADERA

Extensible - Profundidad 100 cm

Acabado patas:

Aluminio anodizado
 Aluminio barnizado blanco (parecido al RAL 9016)
 Aluminio barnizado "Alucompact® gris arena" (parecido al RAL 9002)
 Aluminio barnizado "Alucompact® gris antracita" (parecido al RAL 7015)
 Aluminio barnizado "Fenix-NTM® gris Londres" (parecido al RAL Design0805005)
 Aluminio barnizado negro (parecido al RAL 9004)
 Aluminio barnizado verde oliva (para referencia color ver "Poliuretano verde oliva P008")

Acabado sobre/prolongaciones:

Madera efecto roble europeo
 Madera efecto nogal
 Madera efecto roble teñido negro

Notas:

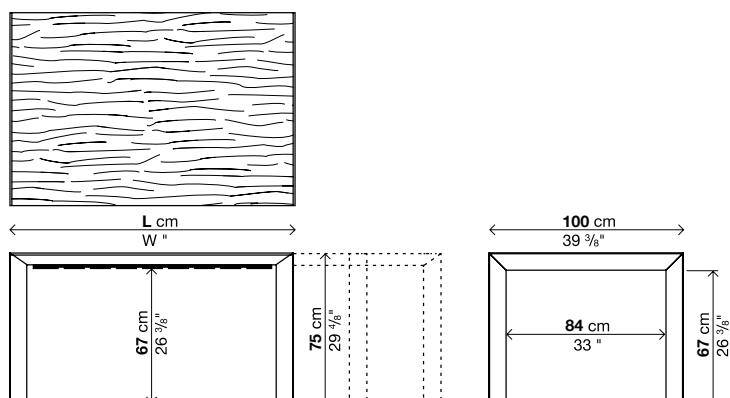
Las mesas que superan los 250 cm extendidas presentan una ligera flexión del sobre que respeta los estándares de calidad aceptados.

Embalajes reforzados, ver lado interno de la portada.

Código	Longitud	Patas	Sobre	pack	m ²	Kg
			Madera			
01NOR05	166-201-236-271 con tres extensiones	Aluminium		4	0,55	91
		Barnizado				
01NOR09	189-224-259-294 con tres extensiones	Aluminium		4	0,6	98
		Barnizado				
01NOR06	209-253-297 con dos extensiones	Aluminium		3	0,62	98
		Barnizado				

Opcionales

Código	Descripción	pack	m ²	Kg
02GTA02	Corte pata a medida	-	-	-



NORI MADERA

Fija - Profundidad 100 cm

Acabado patas:

- Aluminio anodizado
- Aluminio barnizado blanco (parecido al RAL 9016)
- Aluminio barnizado "Alucompact® gris arena" (parecido al RAL 9002)
- Aluminio barnizado "Alucompact® gris antracita" (parecido al RAL 7015)
- Aluminio barnizado "Fenix-NTM® gris Londres" (parecido al RAL Design0805005)
- Aluminio barnizado negro (parecido al RAL 9004)
- Aluminio barnizado verde oliva (para referencia color ver "Poliuretano verde oliva P008")

Acabado sobre:

- Madera efecto roble europeo
- Madera efecto nogal
- Madera efecto roble teñido negro

Notas:

Atención: las medidas o los acabados marcados con (!) tienen los tiempos de producción más largos, de aproximadamente 6 semanas desde la fecha del pedido.

Las mesas que superan los 250 cm extendidas presentan una ligera flexión del sobre que respeta los estándares de calidad aceptados.

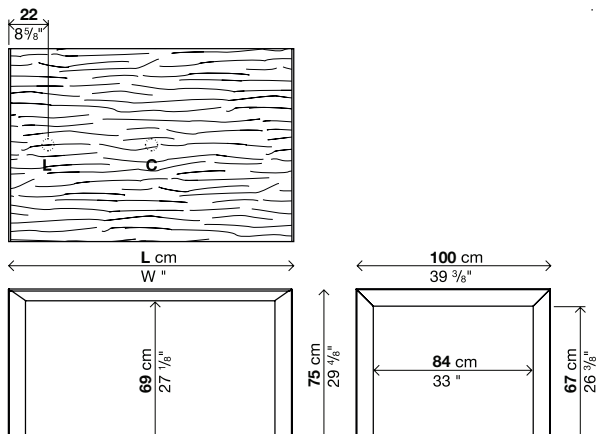
Las mesas de 269 y 289 cm de longitud presentan una barra de soporte central bajo el sobre, de manera que los posibles orificios pasacables no podrán colocarse centrados en la profundidad, sino ligeramente desplazados.

Embalajes reforzados, ver lado interno de la portada.

Código	Longitud	Patas	Sobre		pack	m ³	Kg
			Madera				
01NOR07F	189	Aluminium			1	0,5	62
		Barnizado					
01NOR06F	209	Aluminium			1	0,55	67
		Barnizado					
01NOR08F	229 (!)	Aluminium			1	0,6	72
		Barnizado					
01NOR67F	249 (!)	Aluminium			1	0,65	77
		Barnizado					
01NOR69F	269 (!)	Aluminium			1	0,69	85
		Barnizado					
01NOR32F	289 (!)	Aluminium			1	0,74	90
		Barnizado					

Opcionales

Código	Descripción	pack	m ³	Kg
02GTA02	Corte pata a medida	-	-	-
02FOR01	Orificio guíacables lateral o central Ø6	-	-	-
02RET02	Red de cable de plástico	1	0,07	1
02VER01	Vértebra, metacrilato opalino	1	0,007	1,5
02CPU03	Porta CPU, metacrilato opalino	1	0,14	5,5



NORI CRISTAL

Extensible - Profundidad 80 cm

Acabado patas:

Aluminio anodizado

Aluminio barnizado blanco (parecido al RAL 9016)

Aluminio barnizado negro (parecido al RAL 9004)

Acabado sobre:

Cristal brillante colores: extra white, gris antracita, negro, titanio

Cristal mate colores: extra white, gris antracita, negro, titanio

Acabado prolongaciones:

Laminado Alucompact® blanco

Laminado Alucompact® gris arena

Laminado Alucompact® gris antracita

Laminado Alucompact® negro

Notas:

En las mesas con códigos marcados con un asterisco (*) existe la posibilidad de añadir la tercera prolongación para alargarlas todavía más.

Atención: las medidas o los acabados marcados con (!) tienen los tiempos de producción más largos, de aproximadamente 6 semanas desde la fecha del pedido.

Las mesas que superan los 250 cm extendidas presentan una ligera flexión del sobre que respeta los estándares de calidad aceptados.

Embalajes reforzados, ver lado interno de la portada.

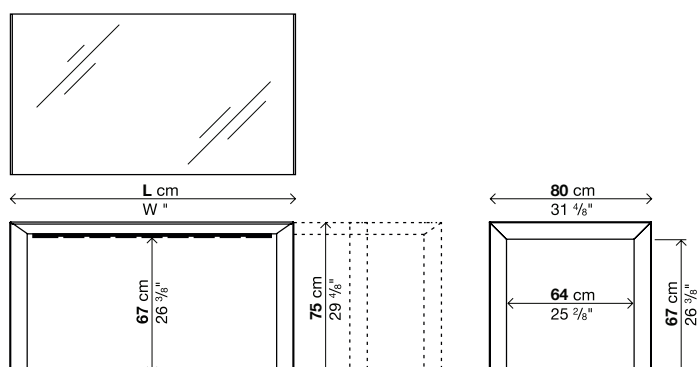
Código	Longitud	Patas	Sobre		pack	m ²	Kg
			Cristal brillante	Cristal mate			
01NOR11	114-154-194	Aluminium			3	0,32	64
		Barnizado					
01NOR12	139-179-219	Aluminium			3	0,37	72
		Barnizado					
01NOR16*	166-206-246	Aluminium			3	0,42	79
		Barnizado					

(*) 3ª prolongación adicional

Código	Longitud	Sobre		pack	m ²	Kg
		Alucompact®				
50SUS5A	33 cm			1	0,03	6

Opcionales

Código	Descripción	pack	m ²	Kg
02GTA02	Corte pata a medida	-	-	-



NORI CRISTAL

Fija - Profundidad 80 cm

Acabado patas:

Aluminio anodizado

Aluminio barnizado blanco (parecido al RAL 9016)

Aluminio barnizado negro (parecido al RAL 9004)

Acabado sobre:

Cristal brillante colores: extra white, gris antracita, negro, titanio

Cristal mate colores: extra white, gris antracita, negro, titanio

Notas:

Atención: las medidas o los acabados marcados con (!) tienen los tiempos de producción más largos, de aproximadamente 6 semanas desde la fecha del pedido.

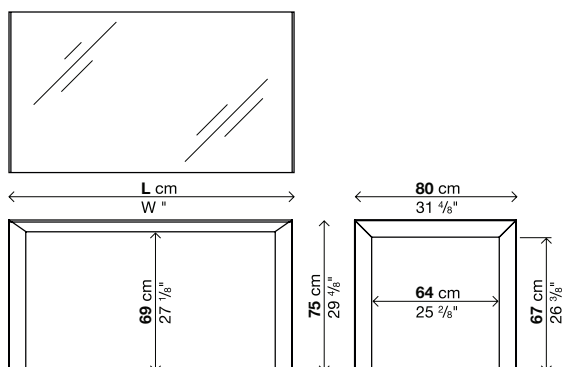
Las mesas que superan los 250 cm extendidas presentan una ligera flexión del sobre que respeta los estándares de calidad aceptados.

Embalajes reforzados, ver lado interno de la portada.

Código	Longitud	Patas	Sobre		pack	m ³	Kg
			Cristal brillante	Cristal mate			
01NOR11F	114	Aluminium			1	0,27	44
		Barnizado					
01NOR12F	139	Aluminium			1	0,32	52
		Barnizado					
01NOR29F	166	Aluminium			1	0,37	58
		Barnizado					
01NOR34F	189	Aluminium			1	0,41	66
		Barnizado					
01NOR36F	209	Aluminium			1	0,45	72
		Barnizado					
01NOR38F	229 (!)	Aluminium			1	0,49	77
		Barnizado					
01NOR44F	249 (!)	Aluminium			1	0,53	83
		Barnizado					
01NOR46F	269 (!)	Aluminium			1	0,57	88
		Barnizado					
01NOR48F	289 (!)	Aluminium			1	0,61	94
		Barnizado					

Opcionales

Código	Descripción	pack	m ³	Kg
02GTA02	Corte pata a medida	-	-	-
02RET01	Red de cable de plástico	1	0,07	1
02VER01	Vértebra, metacrilato opalino	1	0,007	1,5
02CPU01	Porta CPU, metacrilato opalino	1	0,14	5,5



NORI CRISTAL

Extensible - Profundidad 90 cm

Acabado patas:

Aluminio anodizado

Aluminio barnizado blanco (parecido al RAL 9016)

Aluminio barnizado negro (parecido al RAL 9004)

Acabado sobre:

Cristal brillante colores: extra white, gris antracita, negro, titanio

Cristal mate colores: extra white, gris antracita, negro, titanio

Acabado prolongaciones:

Laminado Alucompact® blanco

Laminado Alucompact® gris arena

Laminado Alucompact® gris antracita

Laminado Alucompact® negro

Notas:

En las mesas con códigos marcados con un asterisco (*) existe la posibilidad de añadir la tercera prolongación para alargarlas todavía más.

Atención: las medidas o los acabados marcados con (!) tienen los tiempos de producción más largos, de aproximadamente 6 semanas desde la fecha del pedido.

Las mesas que superan los 250 cm extendidas presentan una ligera flexión del sobre que respeta los estándares de calidad aceptados.

Embalajes reforzados, ver lado interno de la portada.

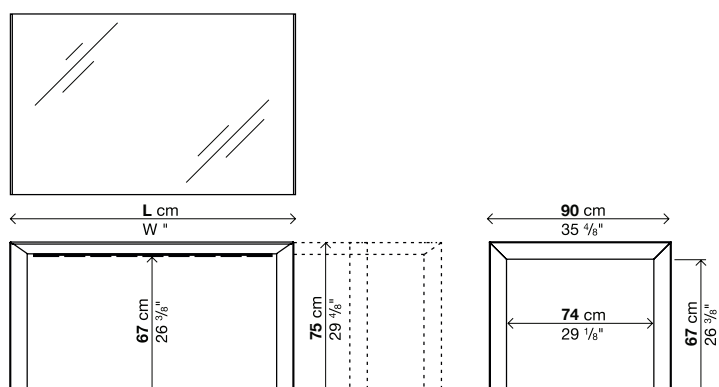
Código	Longitud	Patas	Sobre		pack	m ²	Kg
			Cristal brillante	Cristal mate			
01NOR13	139-176-214	Aluminium			3	0,41	81
		Barnizado					
01NOR14	166-203-241-278 Tercera prolongación de serie	Aluminium			4	0,5	96
		Barnizado					
01NOR18*	189-226-263	Aluminium			3	0,51	98
		Barnizado					
01NOR40*	209-246-283	Aluminium			3	0,55	105
		Barnizado					

(*) 3ª prolongación adicional

Código	Longitud	Sobre		pack	m ²	Kg
		Alucompact®				
50SUS2A	37,5 cm			1	0,03	6,5

Opcionales

Código	Descripción	pack	m ²	Kg
02GTA02	Corte pata a medida	-	-	-



NORI CRISTAL

Fija - Profundidad 90 cm

Acabado patas:

Aluminio anodizado

Aluminio barnizado blanco (parecido al RAL 9016)

Aluminio barnizado negro (parecido al RAL 9004)

Acabado sobre:

Cristal brillante colores: extra white, gris antracita, negro, titanio

Cristal mate colores: extra white, gris antracita, negro, titanio

Notas:

Atención: las medidas o los acabados marcados con (!) tienen los tiempos de producción más largos, de aproximadamente 6 semanas desde la fecha del pedido.

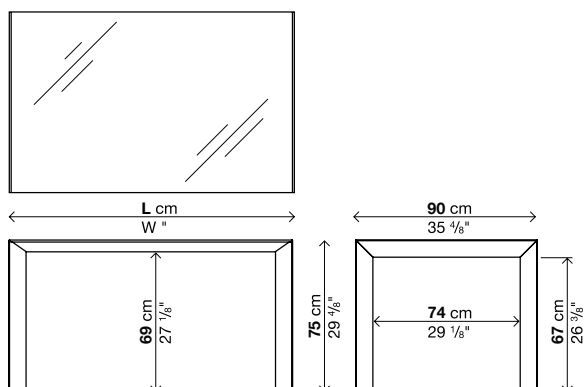
Las mesas que superan los 250 cm extendidas presentan una ligera flexión del sobre que respeta los estándares de calidad aceptados.

Embalajes reforzados, ver lado interno de la portada.

Código	Longitud	Patas	Sobre		pack	m ³	Kg
			Cristal brillante	Cristal mate			
01NOR52F	114	Aluminium			1	0,3	51
		Barnizado					
01NOR13F	139	Aluminium			1	0,36	58
		Barnizado					
01NOR14F	166	Aluminium			1	0,42	67
		Barnizado					
01NOR54F	189	Aluminium			1	0,46	74
		Barnizado					
01NOR40F	209	Aluminium			1	0,5	80
		Barnizado					
01NOR56F	229 (!)	Aluminium			1	0,55	86
		Barnizado					
01NOR58F	249 (!)	Aluminium			1	0,59	92
		Barnizado					
01NOR60F	269 (!)	Aluminium			1	0,63	103
		Barnizado					
01NOR62F	289 (!)	Aluminium			1	0,67	109
		Barnizado					

Opcionales

Código	Descripción	pack	m ³	Kg
02GTA02	Corte pata a medida	-	-	-
02RET02	Red de cable de plástico	1	0,07	1
02VER01	Vértebra, metacrilato opalino	1	0,007	1,5
02CPU02	Porta CPU, metacrilato opalino	1	0,14	5,5



NORI CRISTAL

Extensible - Profundidad 100 cm

Acabado patas:

Aluminio anodizado

Aluminio barnizado blanco (parecido al RAL 9016)

Aluminio barnizado negro (parecido al RAL 9004)

Acabado sobre:

Cristal brillante colores: extra white, gris antracita, negro, titanio

Cristal mate colores: extra white, gris antracita, negro, titanio

Acabado prolongaciones:

Laminado Alucompact® blanco

Laminado Alucompact® gris arena

Laminado Alucompact® gris antracita

Laminado Alucompact® negro

Notas:

En las mesas con códigos marcados con un asterisco (*) existe la posibilidad de añadir la tercera prolongación para alargarlas todavía más.

Atención: las medidas o los acabados marcados con (!) tienen los tiempos de producción más largos, de aproximadamente 6 semanas desde la fecha del pedido.

Las mesas que superan los 250 cm extendidas presentan una ligera flexión del sobre que respeta los estándares de calidad aceptados.

Embalajes reforzados, ver lado interno de la portada.

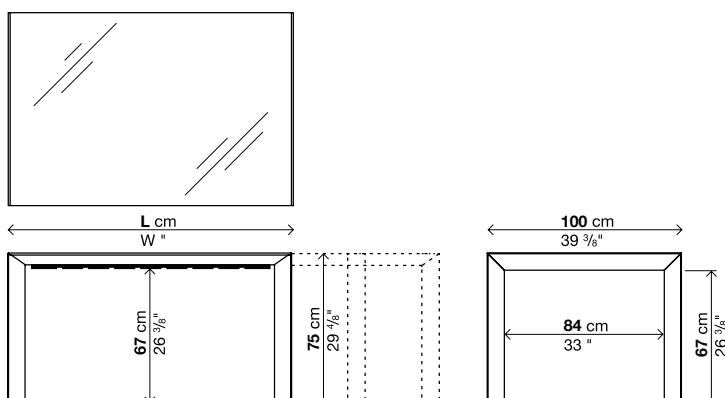
Código	Longitud	Patas	Sobre		pack	m ²	Kg
			Cristal brillante	Cristal mate			
01NOR15*	166-213-260	Aluminium			3	0,52	101
		Barnizado					
01NOR19*	189-236-283	Aluminium			3	0,57	108
		Barnizado					
01NOR17*	209-256-303	Aluminium			3	0,62	118
		Barnizado					

(*) 3ª prolongación adicional

Código	Longitud	Sobre		pack	m ²	Kg
		Alucompact®				
50SUS6A	33 cm			1	0,03	6

Opcionales

Código	Descripción	pack	m ²	Kg
02GTA02	Corte pata a medida	-	-	-



NORI CRISTAL

Fija - Profundidad 100 cm

Acabado patas:

Aluminio anodizado

Aluminio barnizado blanco (parecido al RAL 9016)

Aluminio barnizado negro (parecido al RAL 9004)

Acabado sobre:

Cristal brillante colores: extra white, gris antracita, negro, titanio

Cristal mate colores: extra white, gris antracita, negro, titanio

Notas:

Atención: las medidas o los acabados marcados con (!) tienen los tiempos de producción más largos, de aproximadamente 6 semanas desde la fecha del pedido.

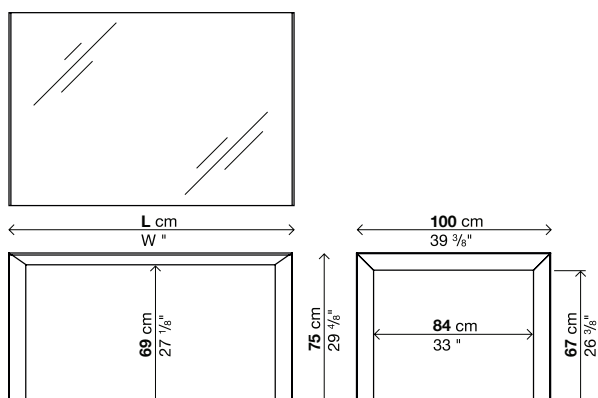
Las mesas que superan los 250 cm extendidas presentan una ligera flexión del sobre que respeta los estándares de calidad aceptados.

Embalajes reforzados, ver lado interno de la portada.

Código	Longitud	Patas	Sobre		pack	m ²	Kg
			Cristal brillante	Cristal mate			
01NOR66F	139	Aluminium			1	0,39	63
		Barnizado					
01NOR15F	166	Aluminium			1	0,45	72
		Barnizado					
01NOR18F	189	Aluminium			1	0,5	80
		Barnizado					
01NOR17F	209	Aluminium			1	0,55	87
		Barnizado					
01NOR19F	229 (!)	Aluminium			1	0,6	93
		Barnizado					
01NOR68F	249 (!)	Aluminium			1	0,65	100
		Barnizado					
01NOR70F	269 (!)	Aluminium			1	0,69	110
		Barnizado					
01NOR42F	289 (!)	Aluminium			1	0,74	118
		Barnizado					

Opcionales

Código	Descripción	pack	m ²	Kg
02GTA02	Corte pata a medida	-	-	-
02RET03	Red de cable de plástico	1	0,07	1
02VER01	Vértebra, metacrilato opalino	1	0,007	1,5
02CPU03	Porta CPU, metacrilato opalino	1	0,14	5,5



NORI CRISTAL

Fija - Profundidad 124 cm

Acabado patas:

Aluminio anodizado

Aluminio barnizado blanco (parecido al RAL 9016)

Aluminio barnizado negro (parecido al RAL 9004)

Acabado sobre:

Cristal brillante colores: extra white, gris antracita, negro, titanio

Cristal mate colores: extra white, gris antracita, negro, titanio

Notas:

Atención: las medidas o los acabados marcados con (!) tienen los tiempos de producción más largos, de aproximadamente 6 semanas desde la fecha del pedido.

Las mesas que superan los 250 cm extendidas presentan una ligera flexión del sobre que respeta los estándares de calidad aceptados.

Embalajes reforzados, ver lado interno de la portada.

Código	Longitud	Patas	Sobre		pack	m³	Kg
			Cristal brillante	Cristal mate			
01NOR72F	209 (!)	Aluminium			1	0,66	109
		Barnizado					
01NOR74F	229 (!)	Aluminium			1	0,72	118
		Barnizado					
01NOR76F	277 (!)	Aluminium			1	0,85	140
		Barnizado					

Opcionales

Código	Descripción	pack	m³	Kg
02GTA02	Corte pata a medida	-	-	-
02RET04	Red de cable de plástico	1	0,07	1
02VER01	Vértebra, metacrilato opalino	1	0,007	1,5
02CPU04	Porta CPU, metacrilato opalino	1	0,14	5,5

