

AXOR MyEdition
Single lever basin mixer 70 with push-open waste set
 Surfaces: **Chrome/Mirror Glass** Article Number: **47010000**



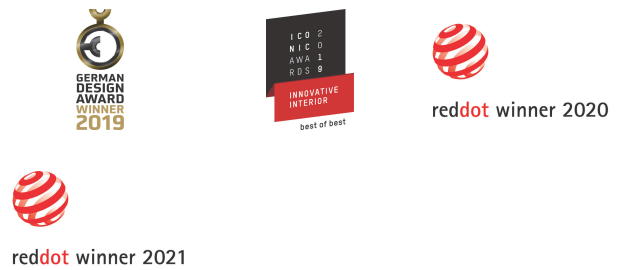
product features

- consists of: single lever basin mixer, plate, waste set
- ComfortZone 70
- projection 151 mm
- plate of glass made of safety glass
- spray type: PowderRain
- maximum flow rate at 3 bar: 5 l/min
- ceramic cartridge
- temperature limitation adjustable
- with isolated water conduction - without contact with nickel and lead
- suitable for continuous flow water heaters
- connection type: G ¾ connections
- connection dimension: DN15
- push-open waste set G 1¼

Technology



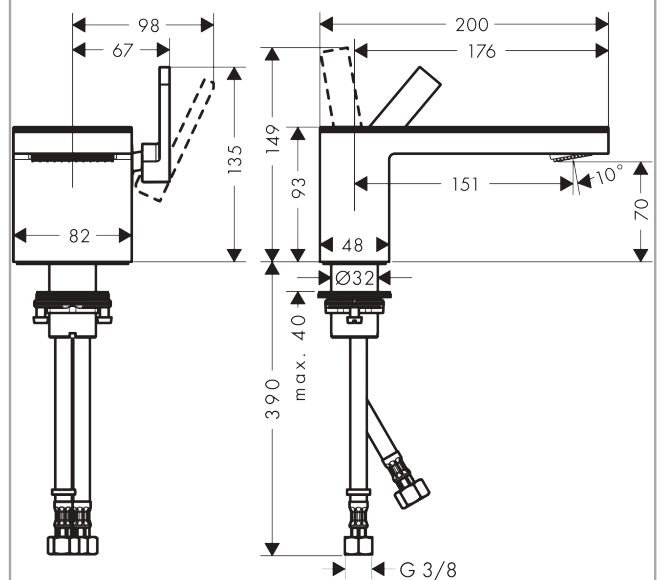
Design awards



Product image



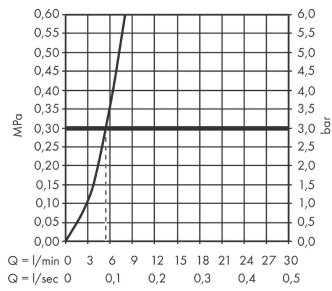
Scale drawing



AXOR MyEdition
Single lever basin mixer 70 with push-open waste set
Surfaces: **Chrome/Mirror Glass** Article Number: **47010000**



Flowchart

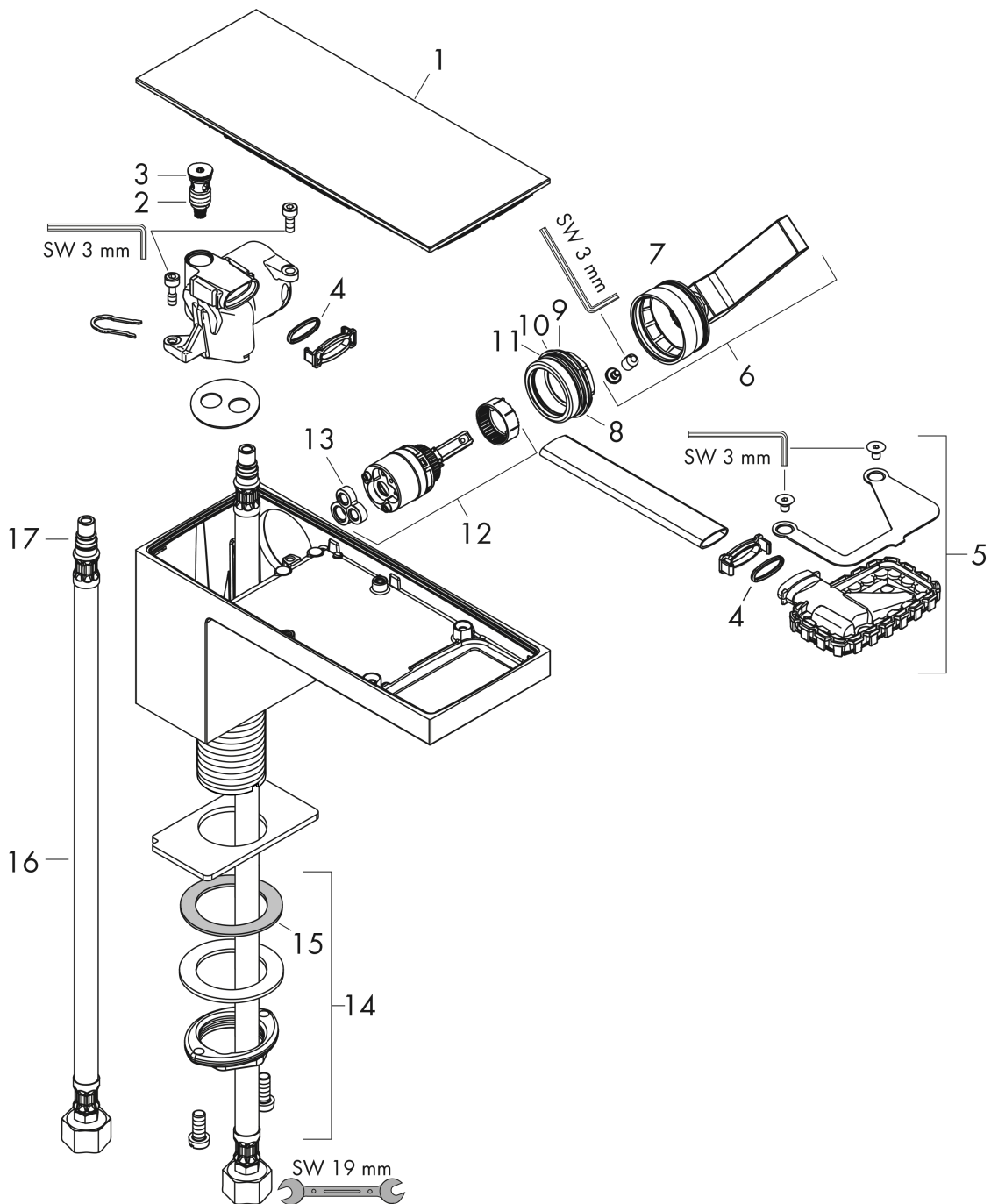


AXOR MyEdition
Single lever basin mixer 70 with push-open waste set
Surfaces: **Chrome/Mirror Glass** Article Number: **47010000**



Exploded Drawing

Year of production: >10/18



AXOR MyEdition
Single lever basin mixer 70 with push-open waste set
 Surfaces: **Chrome/Mirror Glass** Article Number: **47010000**



Spare part list

Year of production: >10/18

Pos.		Article Number	Price	PU
1	cover	47900000	-	1
2	service unit	93384000	-	1
3	O-ring 8x1,75	97827000	-	1
4	O-ring 13x1,5	98475000	-	1
5	spray former	93385000	-	1
6	handle	93386000	-	1
7	O-ring 33x1,5	98164000	-	1
8	nut	92926000	-	1
9	O-ring 30x1,5	98433000	-	1
10	O-ring 29x2	98391000	-	1
11	O-ring 25x1,5	98146000	-	1
12	cartridge, assy	92900000	-	1
13	seal	93383000	-	1
14	fixing set (Ø 32)	13961000	-	1
15	lever collar	97548000	-	1
16	connection hose 450 mm M8x0,75 G3/8	97206000	-	1
17	O-ring 6,6x1,6	93019000	-	1
a	push-open waste set	51300000	-	1
b	fixation extension 35 mm	13898000	-	1
c	cover	47906000	-	1
d	cover	47903000	-	1
e	cover	47909000	-	1
f	cover	47913000	-	1
g	cover	47916000	-	1