

Aquno Select M81
Single lever kitchen mixer 170, pull-out spray, 3jet
 Surfaces: **Chrome** Article Number: **73837000**



Description

product features

- consists of: single lever kitchen mixer, multifunctional strainer
- ComfortZone 170
- swivel range adjustable in 3 steps 60°, 110° or 150°
- laminar spray, shower spray, SatinFlow
- change between SatinFlow and pull-out spray at the touch of a button
- lockable shower spray, spray returns through pressing spray diverter
- MagFit magnetic shower support
- connection dimension: DN15
- maximum flow rate at 3 bar: 7 l/min
- ceramic cartridge
- connection type: G 3/8 connections
- integrated non-return valve
- tap hole with Ø 35 mm required, recommendation: the middle of tap hole drilling should be max. 45 mm from the back side of of the bowl

Technology



Design awards

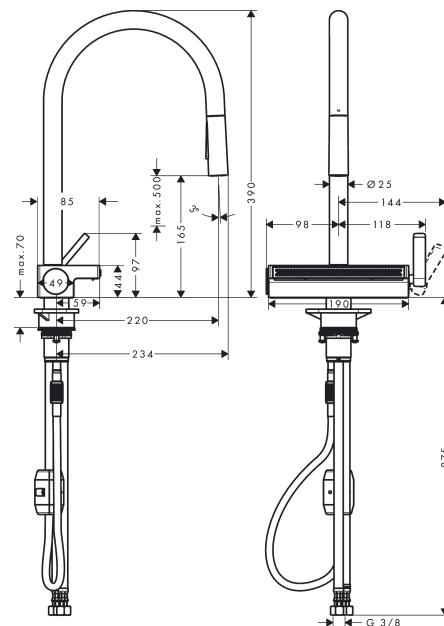


reddot winner 2020
best of the best

Product image



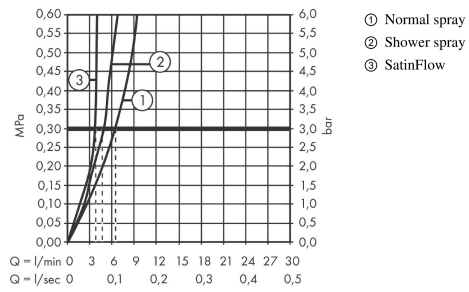
Scale drawing



Aquno Select M81
Single lever kitchen mixer 170, pull-out spray, 3jet
 Surfaces: **Chrome** Article Number: **73837000**



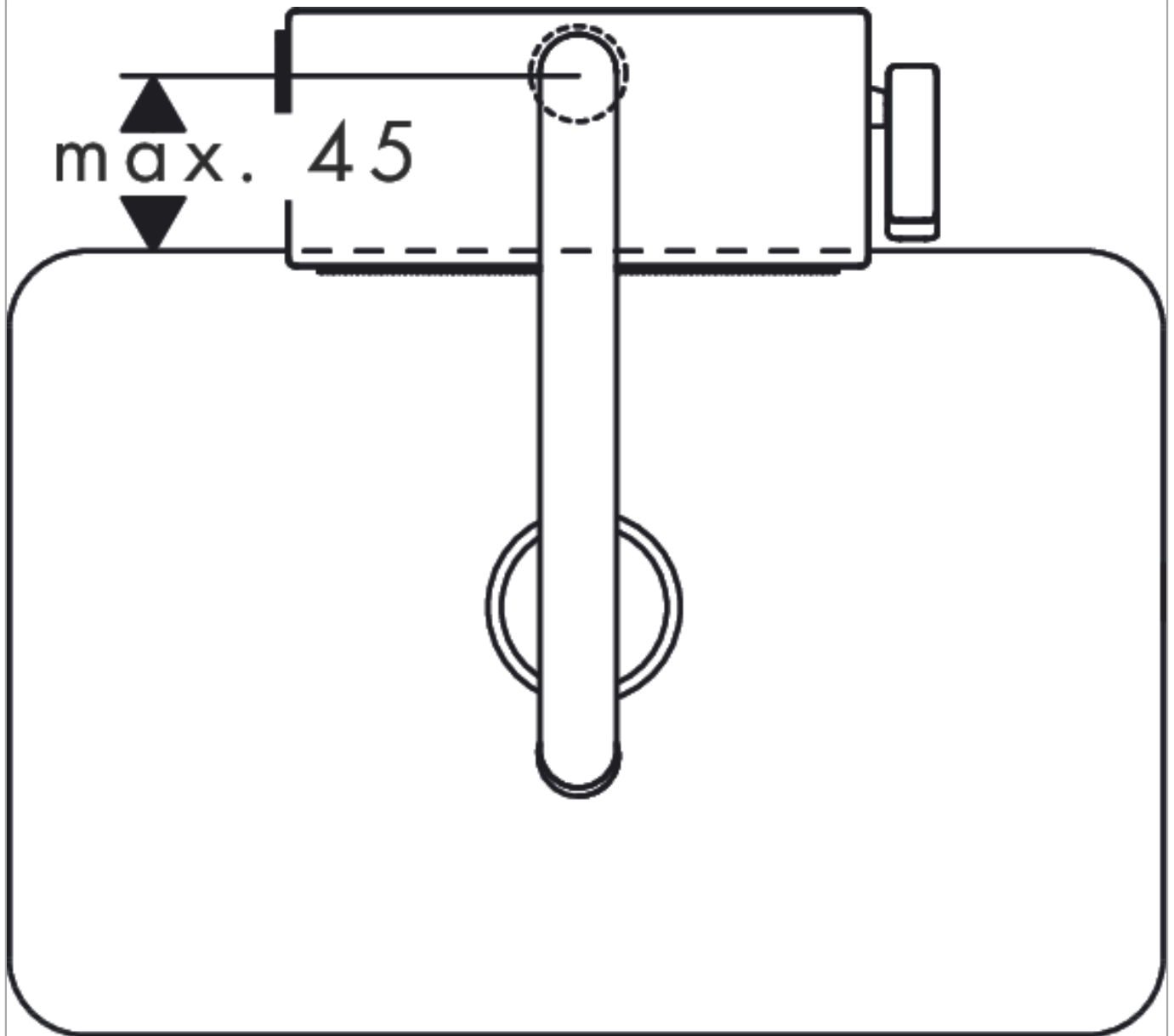
Flowchart



Aquno Select M81
Single lever kitchen mixer 170, pull-out spray, 3jet
 Surfaces: **Chrome** Article Number: **73837000**



Installation examples

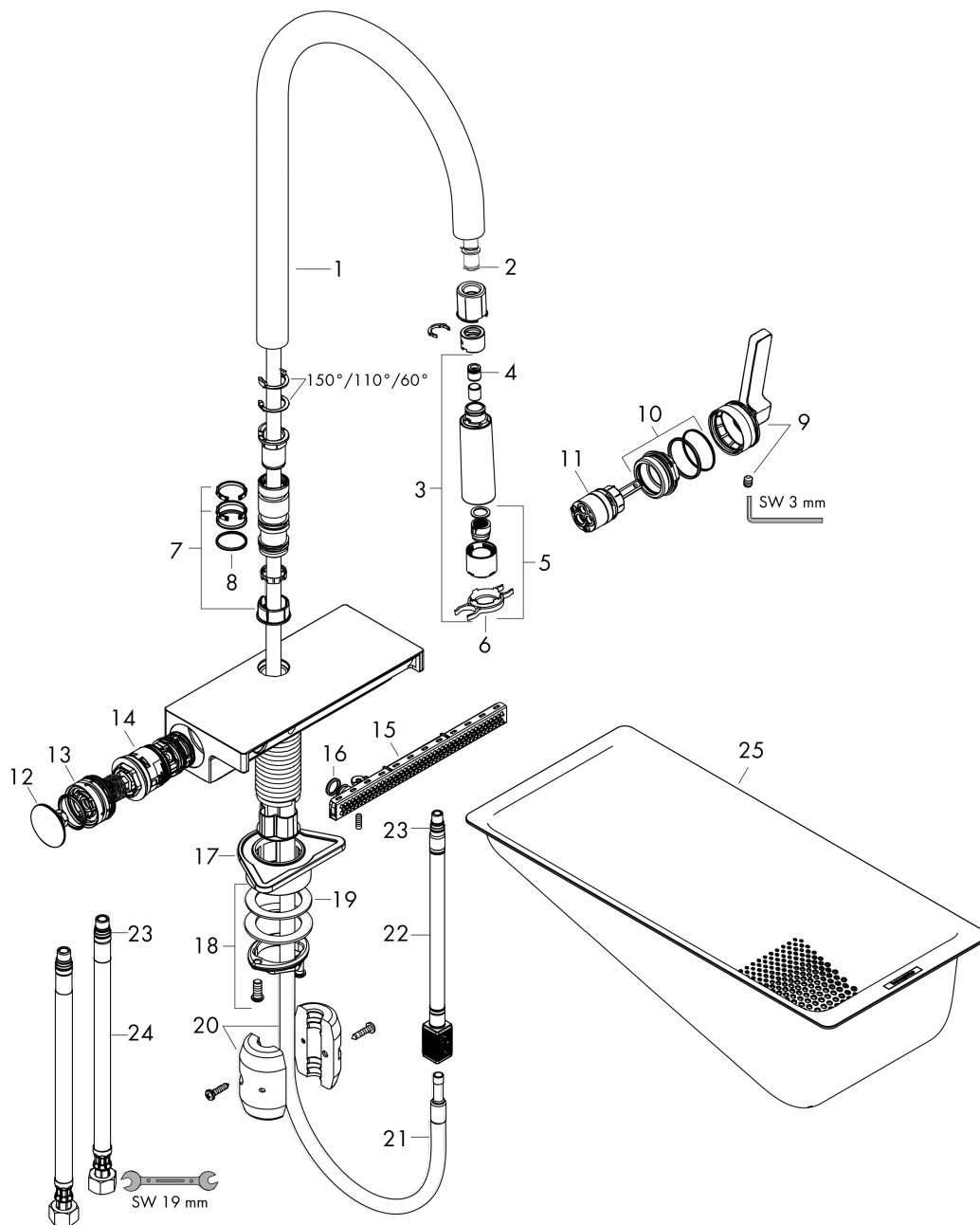


Aquno Select M81
Single lever kitchen mixer 170, pull-out spray, 3jet
 Surfaces: **Chrome** Article Number: **73837000**



Exploded Drawing

Year of production: >12/19



Aquno Select M81
Single lever kitchen mixer 170, pull-out spray, 3jet
 Surfaces: **Chrome** Article Number: **73837000**



Spare part list

Year of production: >12/19

Pos.	Description	Article Number	Price	PU
1	spout cpl.	93779000	-	1
2	O-ring 8x2	98112000	-	1
3	handspray	93778000	-	1
4	non return valve DW 10	96456000	-	1
5	spray former	93342000	-	1
6	service tool	95910000	-	1
7	set of lever collars	98365000	-	1
8	O-ring 19x2	98426000	-	1
9	handle	93776000	-	1
10	nut	92926000	-	1
11	cartridge, assy	93183000	-	1
12	cover	93777000	-	1
13	spring with sleeve	93782000	-	1
14	selector assy	93558000	-	1
15	spray head cpl.	93781000	-	1
16	O-ring 10x2	98170000	-	1
17	support	97523000	-	1
18	fixing set (Ø 34)	95049000	-	1
19	lever collar	97548000	-	1
20	weight	92500000	-	1
21	hose	93745000	-	1
22	connection hose 400 mm M10x1	92914000	-	1
23	O-ring 8x1,75	97827000	-	1
24	connection hose 900 mm M10x1 G3/8	93780000	-	1
25	-	40963000	-	1