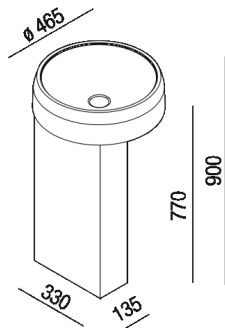







Washbasin support for floor drainage with column on the right of the basin
 ACER1073_ + ACER1126FD_

design Patricia Urquiola, 2017

Washbasin in Cristalplant® biobased or marble.



Materials

-  Cristalplant® biobased
-  Marble
-  Wood

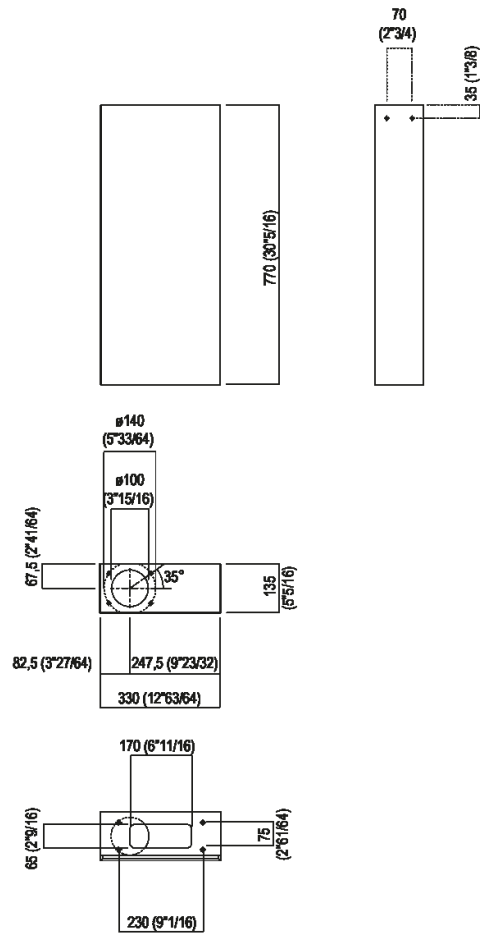
Washbasin support in Cristalplant® biobased for floor drainage with column on the right of the basin, with (ACER1126FDFZ) or without (ACER1126FD0Z) holes on the side for the shelf or storage unit. The waste trap (.MET0519) must be installed.

Height:	77 cm	30" 5/16 inches
Width:	13.5 cm	5" 5/16 inches
Weight:	16 kg	35 lbs
Depth:	33 cm	12" 63/64 inches
Packaging:	24 x 43 x 87 cm	9" 27/32 x 16" 59/64 x 34" 1/4 inches
Total weight:	20 kg	44 lbs

Note: The washbasin can be delivered also in stone or marble types on demand, price to be calculated. The above measurements refer to the Cristalplant® biobased version, for the marble version the measurements are: Base: 33.5 x 14.5 cm - 12" 63/64 x 5" 5/16 Weight: 31 kg - 68 lbsPackaging: 24 x 43 x 87 cm - 9" 27/32 x 16" 59/64 x 34" 1/4Gross weight: 41 kg - 90 lbs

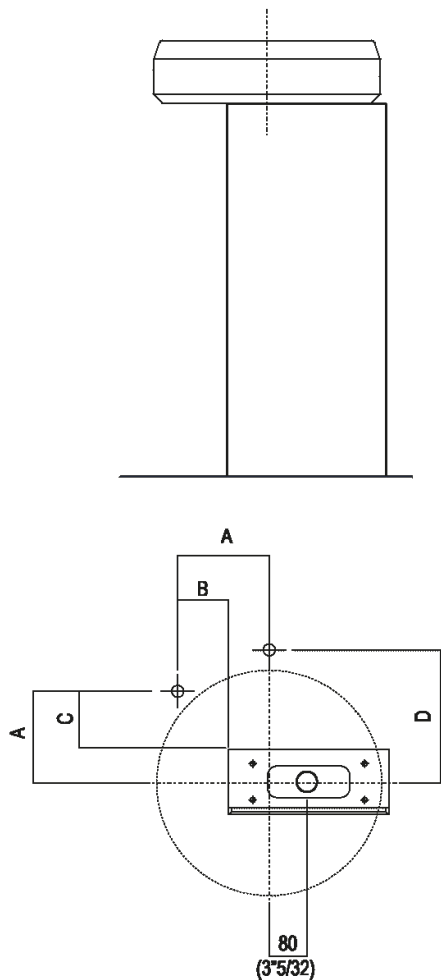


Main dimensions





Installation notes: floor-mounted tap



		A	B	C	D
FEZ2	AFEZ004	230 (12*19/32)	148 (5*53/64)	162 (6*3/8)	326 (12*53/64)
	ARUB146	230 (12*19/32)	148 (5*53/64)	162 (6*3/8)	326 (12*53/64)
MEMORY	AMEM323	230 (12*19/32)	148 (5*53/64)	162 (6*3/8)	326 (12*53/64)
	ARUB1092	230 (12*19/32)	148 (5*53/64)	162 (6*3/8)	326 (12*53/64)
SEN	ASEN0962N	190 (10*45/64)	108 (4*1/4)	122 (4*51/64)	268 (10*35/64)
SQUARE	ARUB1096	190 (10*45/64)	108 (4*1/4)	122 (4*51/64)	268 (10*35/64)
	ARUB1020*	190 (10*45/64)	108 (4*1/4)	122 (4*51/64)	268 (10*35/64)

*ad esaurimento / while stocks last