

AXOR Starck
Single lever kitchen mixer 300 with swivel spout Eco
 Surfaces: **Chrome** Article Number: **12801000**



product features

- consists of: single lever kitchen mixer
- handle can be positioned on the right or left
- ComfortZone 300
- swivel range adjustable in 3 steps 110°, 150° or 360°
- normal spray
- connection dimension: DN15
- maximum flow rate at 3 bar: 4,5 l/min
- joystick ceramic cartridge
- connection type: G 3/8 connections
- integrated non-return valve
- not suitable for continuous flow water heaters
- flow rate limited to maximum 6 l/min

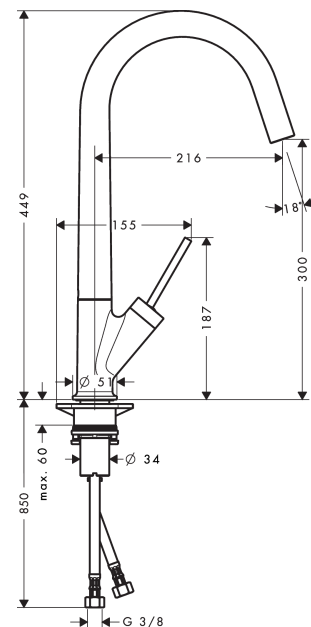
Technology



Product image



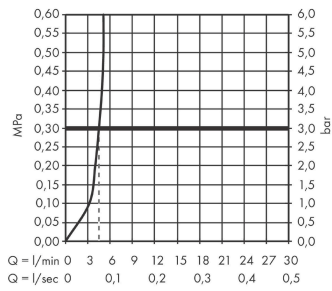
Scale drawing



AXOR Starck
Single lever kitchen mixer 300 with swivel spout Eco
Surfaces: **Chrome** Article Number: **12801000**



Flowchart

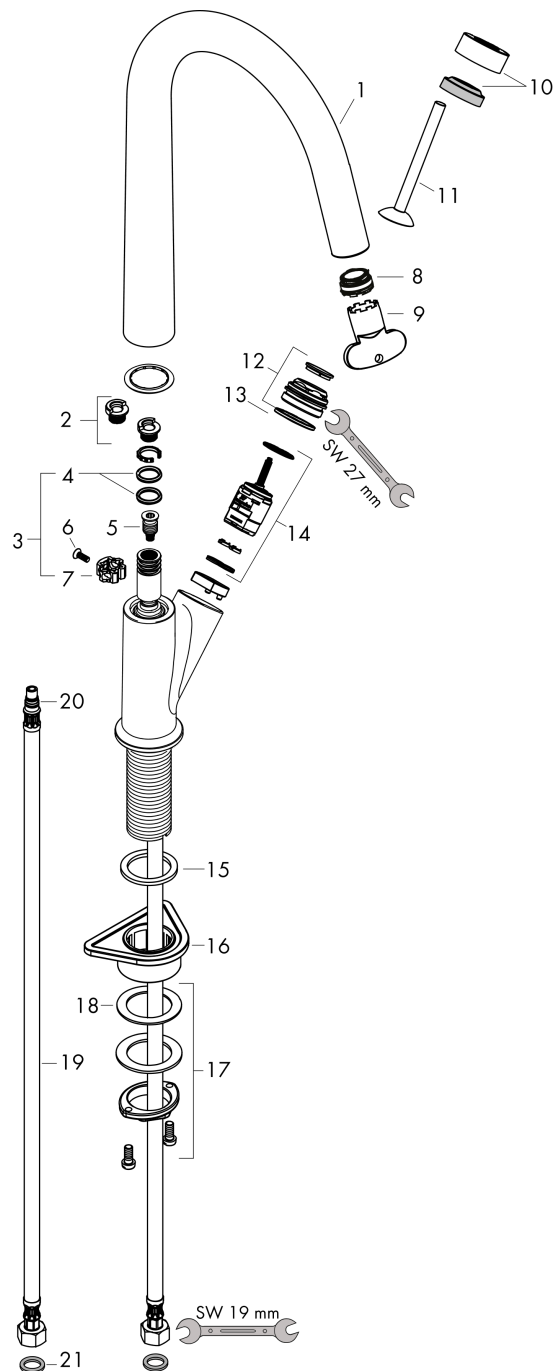


AXOR Starck
Single lever kitchen mixer 300 with swivel spout Eco
Surfaces: **Chrome** Article Number: **12801000**



Exploded Drawing

Year of production: >10/19



AXOR Starck
Single lever kitchen mixer 300 with swivel spout Eco
 Surfaces: **Chrome** Article Number: **12801000**



Spare part list

Year of production: >10/19

Pos.		Article Number	Price	PU
1	spout cpl.	95892000	-	1
2	set of locating rings (110° / 150°)	98486000	-	1
3	sealing set	92646000	-	1
4	O-Ring 14x2,5	98189000	-	1
5	service unit	93507000	-	1
6	screw	97662000	-	1
7	axialring	97558000	-	1
8	aerator laminar M24x1 C	98337000	-	1
9	special tool	95290000	-	1
10	nut	97157000	-	1
11	flange	97155000	-	1
12	handle	95893000	-	1
13	O-Ring 30x2	98186000	-	1
14	cartridge, assy	96339000	-	1
15	flat seal	98749000	-	1
16	support	97523000	-	1
17	fixing set (Ø 34)	95049000	-	1
18	lever collar	97548000	-	1
19	connection hose 900 mm M8x0,75 G3/8	98758000	-	1
20	O-ring 7x1,5	98422000	-	1
21	sealing set	95581000	-	1