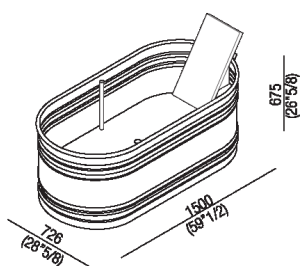




Bathtub with backrest in iroko  
 AVAS0912\_L

design Patricia Urquiola, 2013

Steel free-standing bathtub of 155 cm length.



**Finishes**



Iroko



White



White/dark grey



White/light grey

**Materials**



Steel



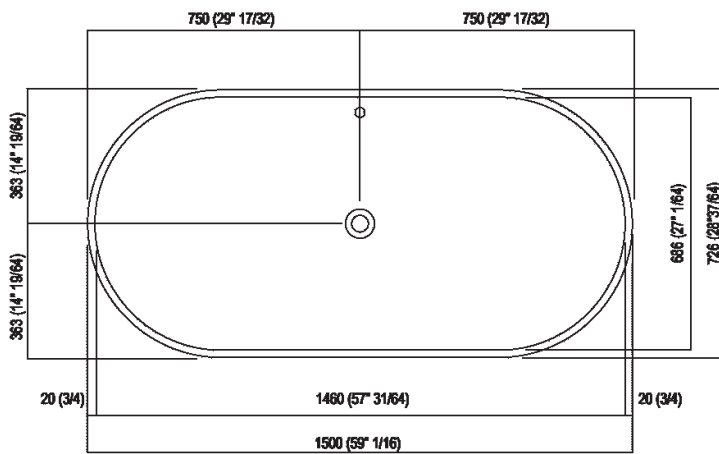
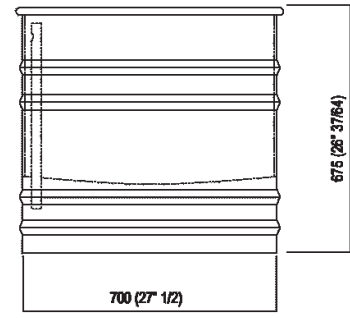
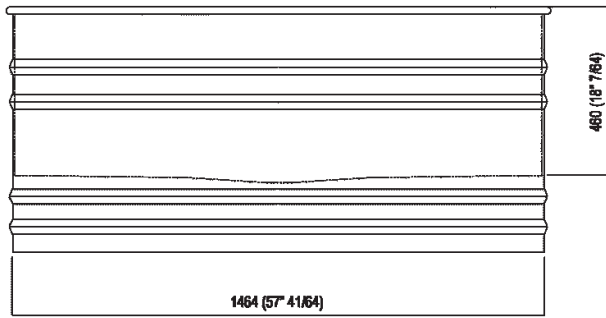
Wood

Oval steel bathtub painted white (RAL9003) with dark grey (RAL7021) or light grey (RAL7044) exterior. With external overflow system painted white. Available in two measures: Vieques (cm 171, h cm 62,5 - 67" 3/8, h 24" 5/8) and Vieques XS (cm 155, h cm 67,5 - 59" 1/2, h 26" 5/8). Backrest and shelf in iroko wood available as accessories, to be installed on bathtub edge. The two-coloured model can be made in a colour chosen by the client, price to be calculated. The bath must be fitted with waste trap .MET0433WU (.MET0434 for bathtubs on display).

Height:	67.5 cm	26" 5/8 inches
Length:	150 cm	59" 1/2 inches
Weight:	65 kg	143 lbs
Depth:	72.6 cm	28" 5/8 inches
Capacity:	320 l	85 gal
Packaging:	87 x 165 x 70 cm	34"1/4 x 65" x 27"1/2 inches
Total weight:	88 kg	195 lbs

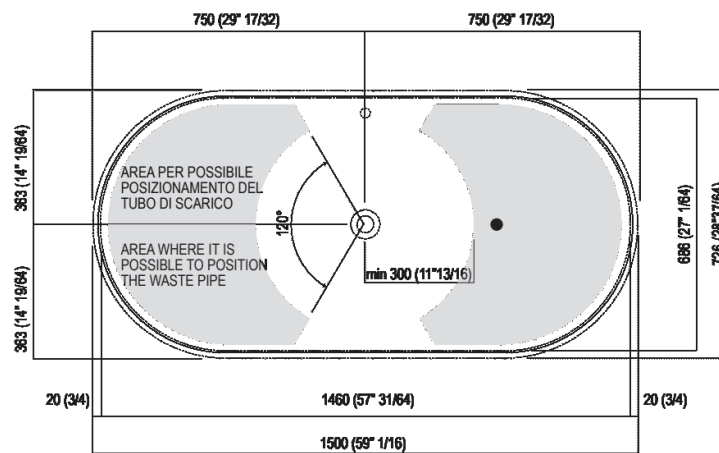


**Main dimensions**



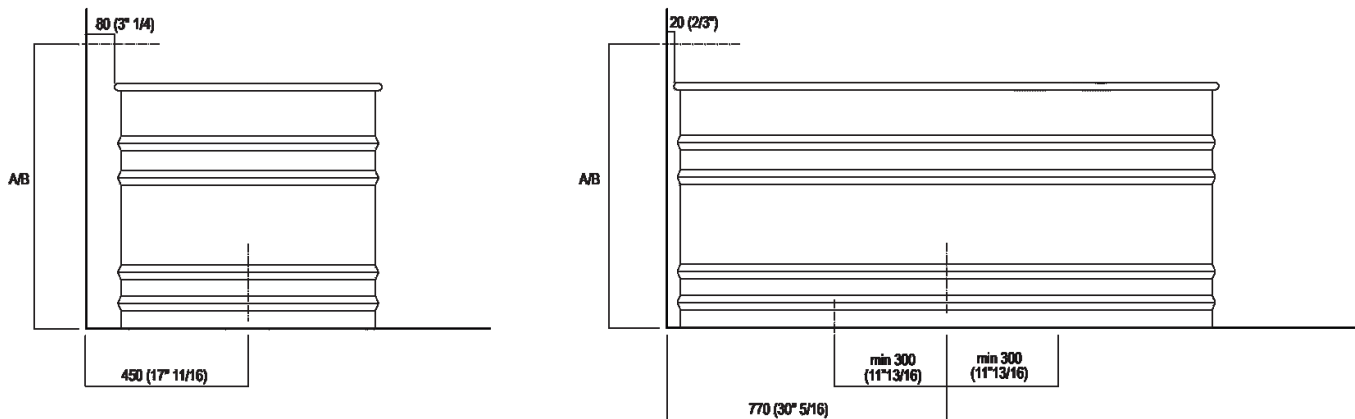


**Dimensions for recess**





Dimensions for wall mounted taps

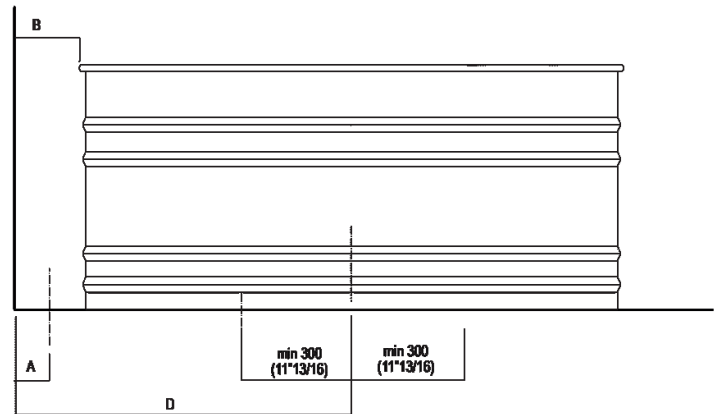
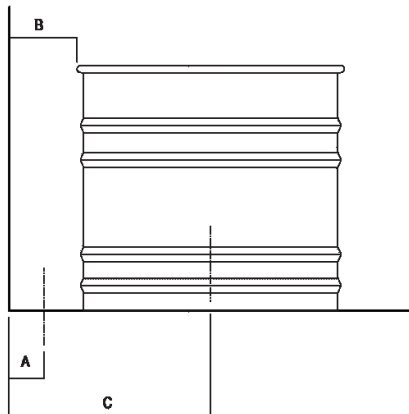


	A*	B**
FEZ (ARUB050000L, ARUB051000L, ARUB150000C, ARUB151000C, ARUB1089S, ARUB190000C, ARUB191000C, ARUB1091S)	780 (30'45/64)	-
MEMORY (ARUB1076S, ARUB1077S, ARUB1040S)	780 (30'45/64)	-
SQUARE (ARUB0932N, ARUB0933N, ARUB1117)	-	780 (30'45/64)
SEN (ASEN0912V)	-	830 (32'43/64)

\* inserisse gruppo / axial distance for tap  
 \*\* filo inferiore gruppo / Tap's lower edge



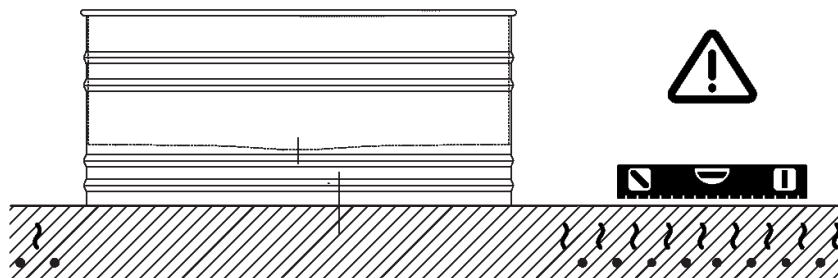
Dimensions for freestanding spouts



	A	B	C	D
FEZ (ARUB140, RAUB145, ARUB170N)	80 (3*1/8)	170 (6*11/16)	540 (21*17/64)	920 (36*7/32)
MEMORY (ARUB1078, ARUB1072, ARUB1033)	80 (3*1/8)	170 (6*11/16)	540 (21*17/64)	920 (36*7/32)
SQUARE (ARUB0961L, ARUB0934L, ARUB0935NL, ARUB0936NL, ARUB0952L, ARUB1024N, ARUB1112, ARUB1115)	80 (3*1/8)	140 (5*33/64)	520 (20*15/32)	900 (35*7/16)
SEN (ASEN0911)	80 (3*1/8)	140 (5*33/64)	520 (20*15/32)	900 (35*7/16)



Notes



**La vasca deve essere installata su un pavimento perfettamente piano.  
The bathtub must be positioned on a flat floor surface.**

**Evitare di realizzare impianti di riscaldamento nell'area sottostante la vasca.  
Avoid the installation of floor heating plants in the area under the bathtub.**