

AXOR Urquiola
Single lever bath mixer for concealed installation
 Surfaces: **Chrome** Article Number: **11425000**



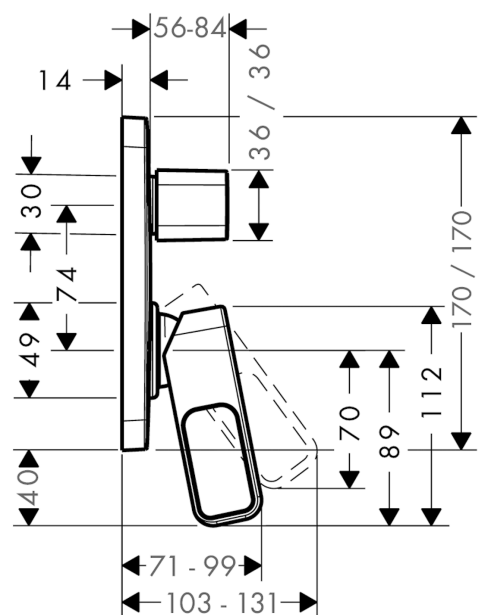
product features

- connection type: basic set
- maximum flow rate at 3 bar: 22 l/min
- min. operating pressure: 1 bar
- max. operating pressure: 10 bar
- ceramic cartridge
- temperature limitation adjustable
- diverter with automatic resetting
- with silencer
- suitable for continuous flow water heaters

Product image



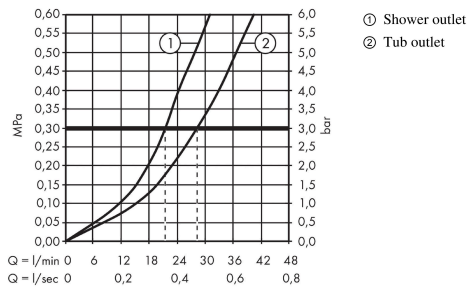
Scale drawing



AXOR Urquiola
Single lever bath mixer for concealed installation
 Surfaces: **Chrome** Article Number: **11425000**



Flowchart

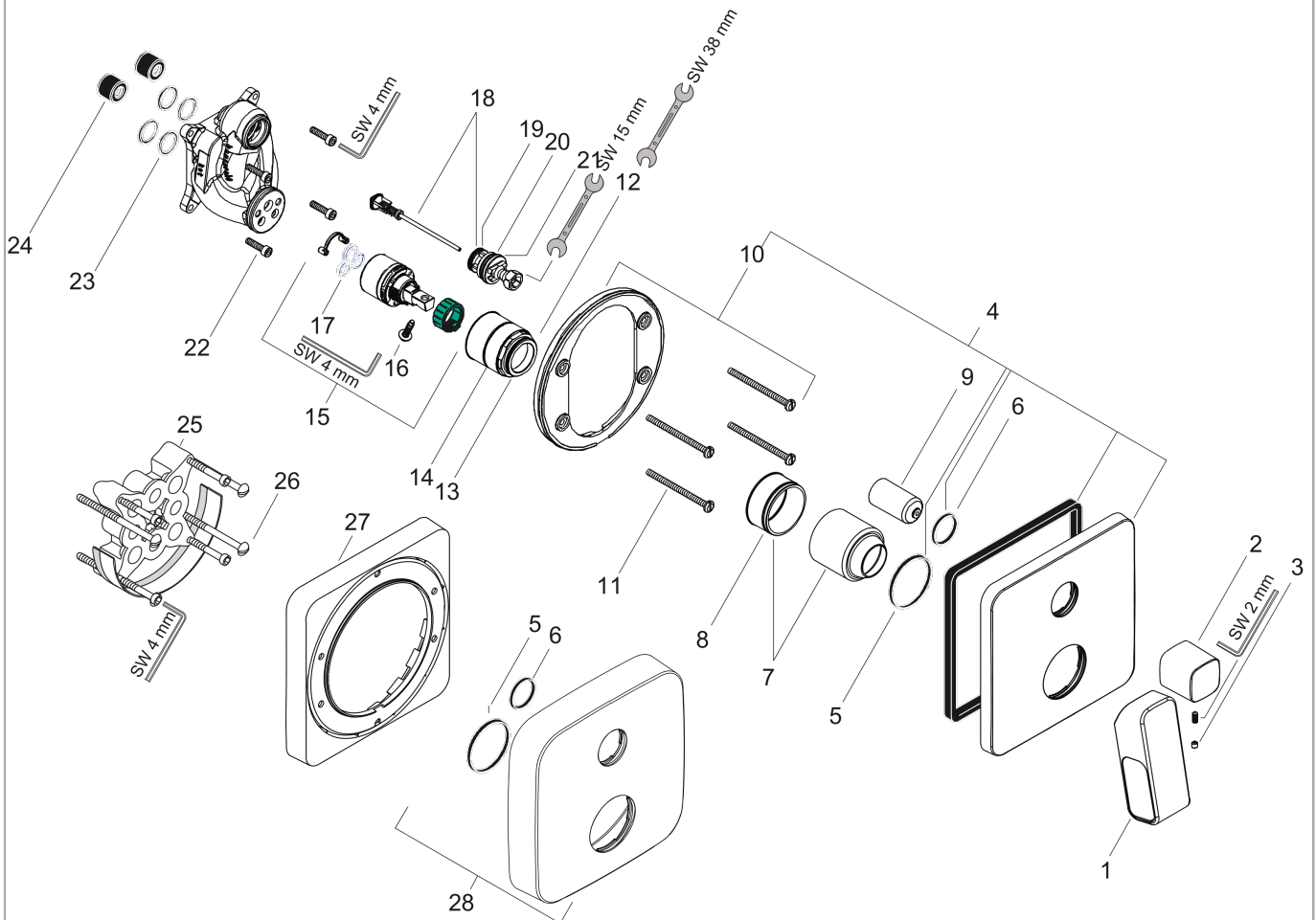


AXOR Urquiola
Single lever bath mixer for concealed installation
 Surfaces: **Chrome** Article Number: **11425000**



Exploded Drawing

Year of production: >01/17



AXOR Urquiola
Single lever bath mixer for concealed installation
 Surfaces: **Chrome** Article Number: **11425000**



Spare part list

Year of production: >01/17

Pos.		Article Number	Price	PU
1	handle	11493000	-	1
2	diverter knob	95190000	-	1
3	screw cover	95181000	-	1
4	escutcheon	95189000	-	1
5	O-Ring 48x3	95508000	-	1
6	O-ring 29x3	98371000	-	1
7	flange	96348000	-	1
8	O-ring 43x1,5	98148000	-	1
9	sleeve	96448000	-	1
10	holder for escutcheon	98793000	-	1
11	set of fixing screws	96454000	-	1
12	nut	95007000	-	1
13	O-ring 30x1,5	98433000	-	1
14	O-ring 39x1,5	98400000	-	1
15	cartridge, assy	92730000	-	1
16	locking screw for handle	95140000	-	1
17	seal	95008000	-	1
18	selector assy	95014000	-	1
19	O-ring 17x2	98199000	-	1
20	O-ring 20x2,5	92602000	-	1
21	O-ring 21x2	98205000	-	1
22	set of screws	96525000	-	1
23	O-ring 16x2	98133000	-	1
24	noise reduction	94073000	-	1
25	extension 25 mm	13595000	-	1
26	set of fixing screws	97747000	-	1
27	extension 22 mm	98860000	-	1
28	escutcheon height = 33 mm (when wall is not deep enough).	14972000	-	1
a	concealed item	01800180	-	1
b	adapter for exchanged connections	93181000	-	1
c	fixation set	96615000	-	1
d	O-ring 16x2,3	98207000	-	1