

# BRANCH TABLE

Jakob Wagner

cappellini



The frame of the Branch table is made of identical aluminum elements that come together to form a unified whole. Can be chrome or lacquered in the same color as the top, which is available in glass or medium-density fiberboard, lacquered white, anthracite or mud, and in natural oak or wenge-stained oak.

## Materials used

### Top:

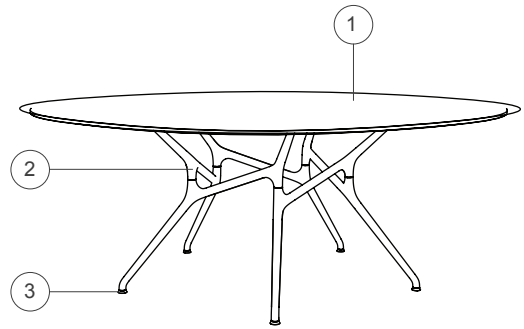
1. Panel cluster of medium-density wood fiber mat lacquered white, anthracite or mud. Proposed version also veneered in natural oak or oak stained wenge painted transparent open pore. For BR\_1V - 2V - 3V and 5V are available with tempered glass transparent extra.

### Base:

2. Modular elements in polished aluminum or powder-coated white, anthracite or mud

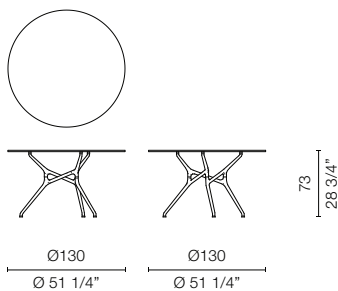
### Feet:

3. Adjustable metal pads

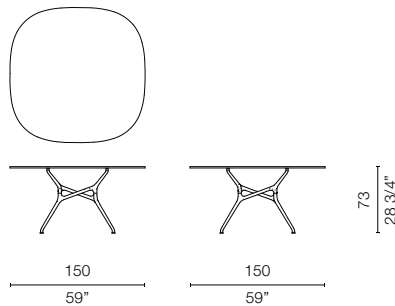


## Dimensions

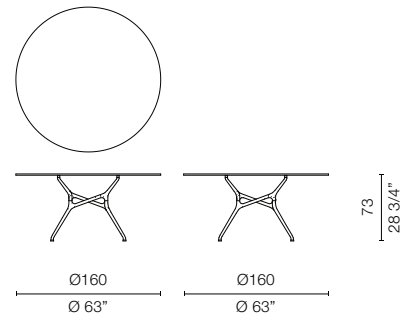
### BR\_1LA / BR\_1LE / BR\_1V



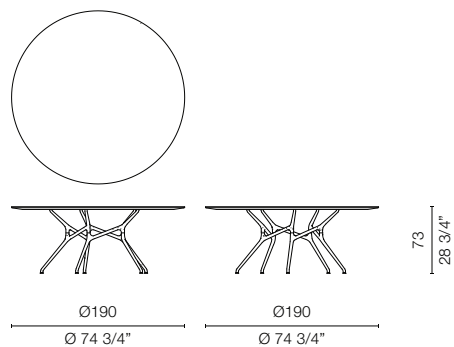
### BR\_2LA / BR\_2LE / BR\_2V



### BR\_3LA / BR\_3LE / BR\_3V



BR\_4LA / BR\_4LE



BR\_5LA / BR\_5LE / BR\_5V

